

MASS (g)	VOLUME (mm ³)
7.7	1320

ELECTRICAL:

EMI SHIELDING : SHIELDED FOR THE RANGE 55dB UP TO 100MHZ

INSULATION RESISTANCE : >500MΩ PER ANSI-EIA-364-D METHOD 21

MAX. CURRENT RATING : SEE INSULATOR DRAWING

CONNECTOR TESTING VOLTAGE : SEE INSULATOR DRAWING

CONNECTOR WORKING VOLTAGE : SEE INSULATOR DRAWING

ENVIRONMENTAL:

ENDURANCE: 1000 CYCLES AS PER MIL-STD 1344A, METHOD 2016.1

SHOCK: 50 g . DURATION 6 ms; AS PER MIL-STD 1344A, METHOD 2004.1

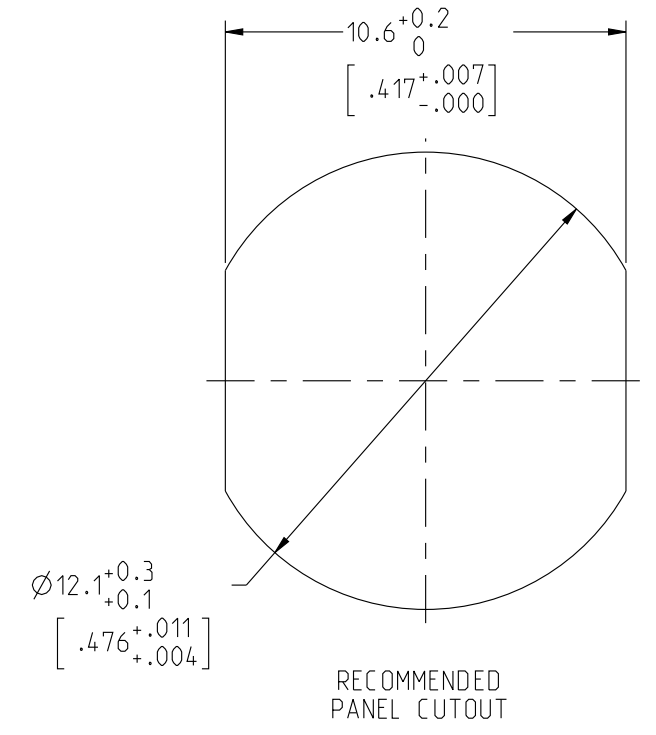
VIBRATIONS: 10 TO 2000Hz g = 15g, AS PER MIL-STD 1344A, METHOD 2005.1

PROTECTION INDEX: IP 40 AS PER CEI 529

ROHS COMPLIANT

SALT MIST : 48Hr PER SAE AS 1344 METHOD 1001.1 CEI 529

OPERATING TEMPERATURE: -55°C TO +125°C (-67°F TO +257°F)



NOTES:

1 RED BAND

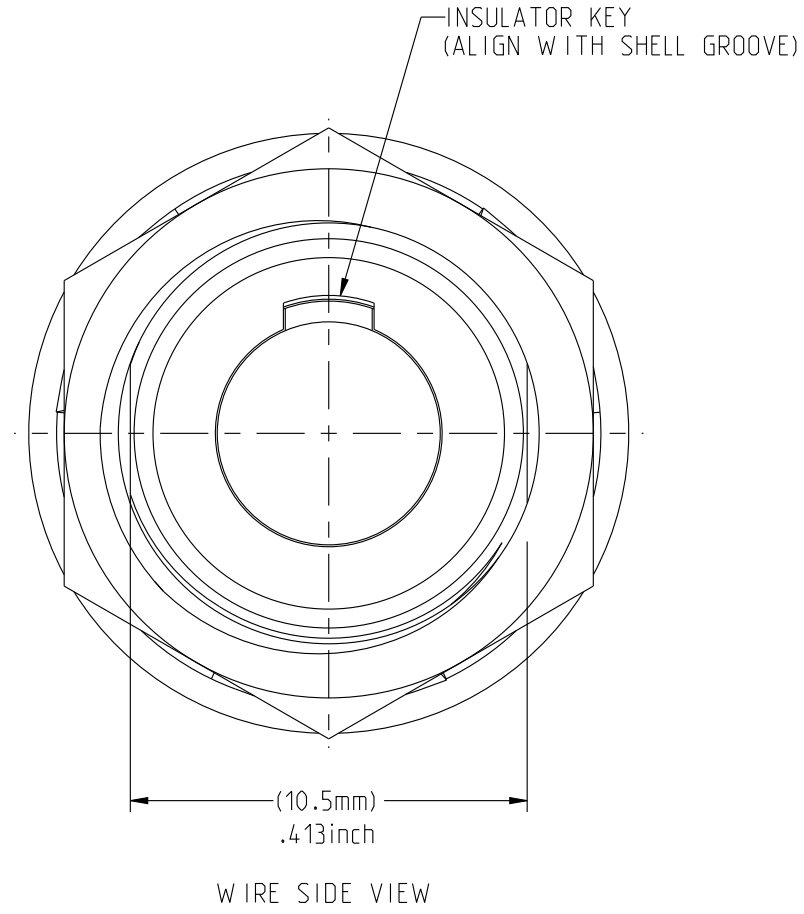
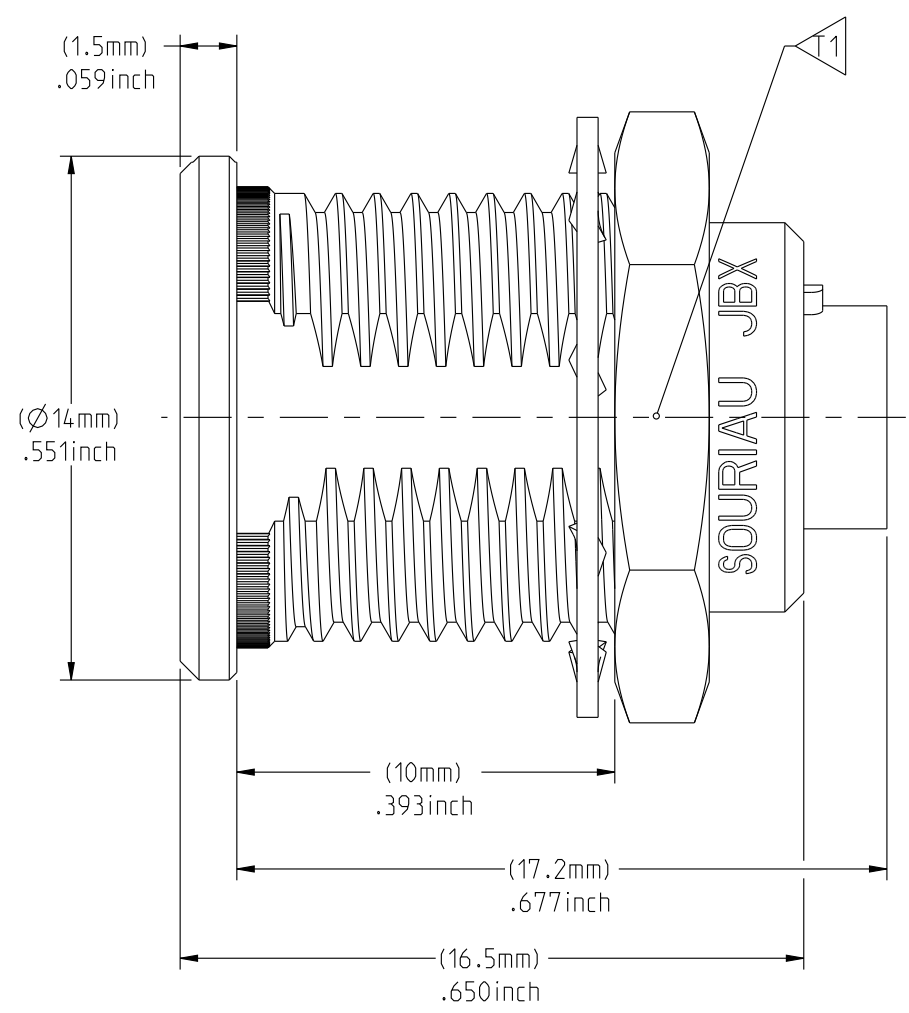
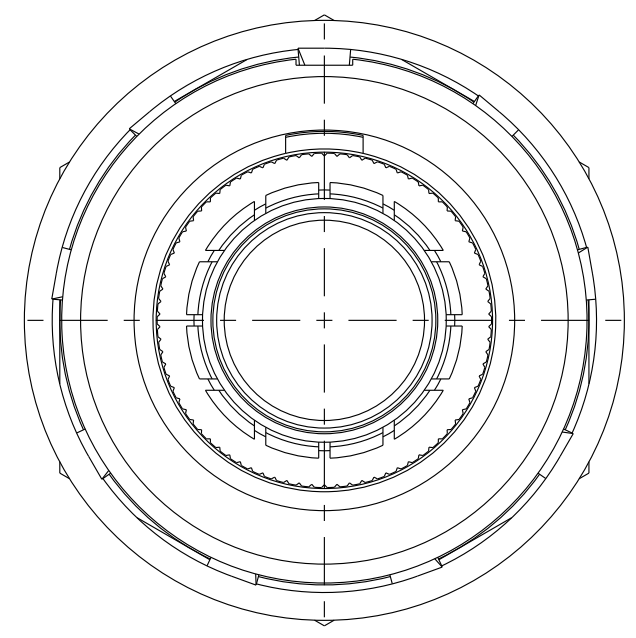
MATERIAL:

OUTER SHELL : } BRASS
SHIELD RING & NUT: }

FINISH:

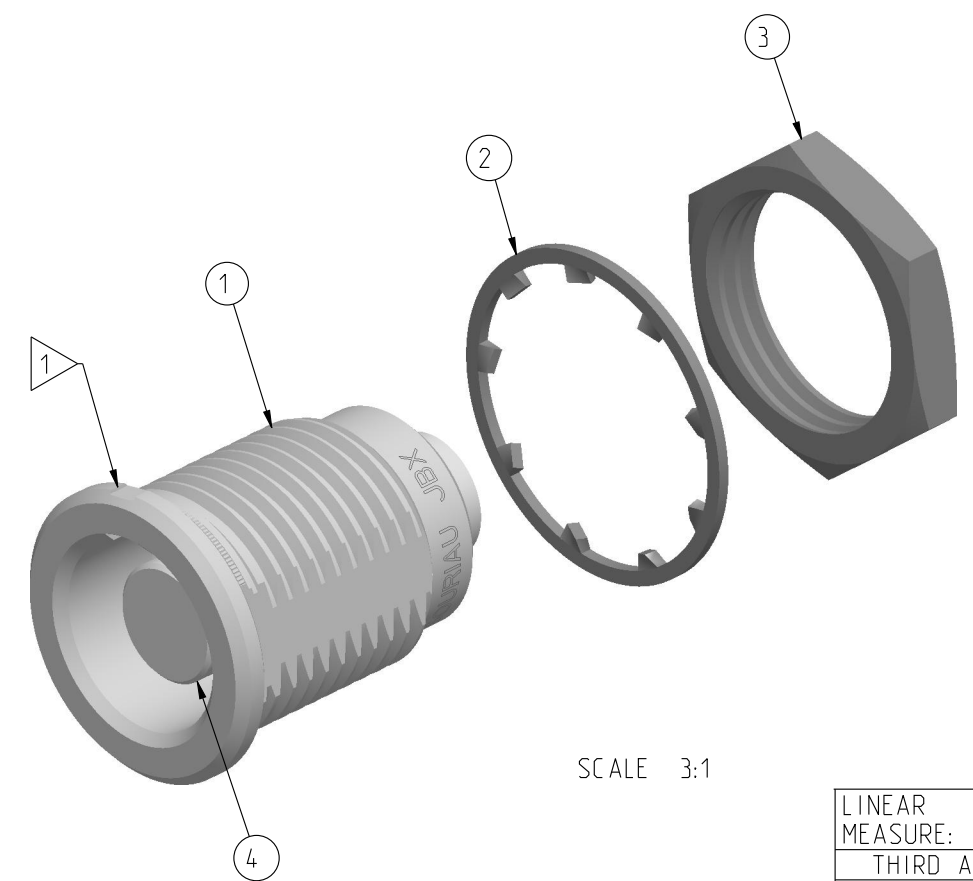
OUTER SHELL: CHROME
OTHER BRASS PARTS : NICKEL

T TOOLS



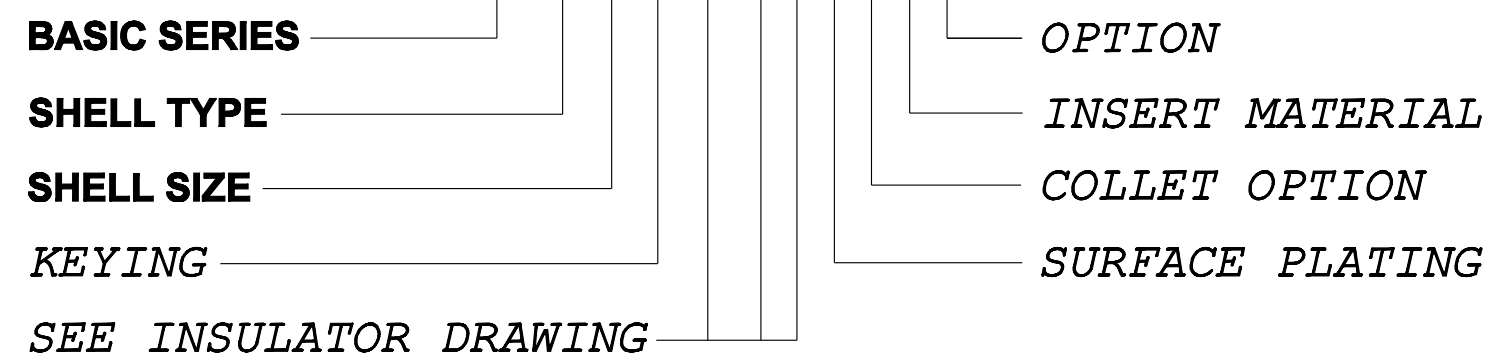
TOOLS (JAW DIMENSION)	ADVISED TORQUE IN Nm
T1	14
	1.3

PART LIST	
ITEM NO.	DESCRIPTION
1	SHELL
2	LOCK WASHER
3	HEX NUT
4	INSULATOR



CATALOG NUMBER DESCRIPTION

JBX ER 1 XXXXXDXR



DRAWING TITLE
JBX, SIZE 1, FRONT PANEL MOUNTING RECEPTACLE

CAT NO. **JBXER1**

CAGE NO: 09922 SIZE: C

CUSTOMER

SOURIAU

www.souriau.com

1 OF 1

APPROVAL	DRAWN: SKV	01-12-15
	CHKD : EV	01-12-15
	DSGN : EV	01-12-15
	MFG : DH	01-12-15
	QC : BB	01-12-15
	DRAWING SCALE: 5:1	
	DRAWING NO.	REV
	JBXERIC	A

LINEAR MEASURE: mm (INCH)

THIRD ANGLE PROJECTION

TOLERANCES UNLESS OTHERWISE SPECIFIED

No. OF PLACES	mm [INCH]
WHOLE No.	±0.5 [±.02]
ONE PLACE	±0.2 [±.008]
TWO PLACES	±0.1 [±.004]
ANGLES ±1°	

THIS DRAWING IS A CONTROLLED DOCUMENT FOR SOURIAU USA, INC. IT IS SUBJECT TO CHANGE WITHOUT NOTIFICATION. CONTACT THE DOCUMENT CONTROL CENTER FOR THE LATEST REVISION.

THE INFORMATION CONTAINED IN THIS DRAWING IS CONFIDENTIAL AND MAY NOT BE DISCLOSED WITHOUT WRITTEN CONSENT FROM SOURIAU USA, INC.

THIS DRAWING IS A CONTROLLED DOCUMENT FOR SOURIAU USA, INC. IT IS SUBJECT TO CHANGE WITHOUT NOTICE. CONTACT THE DOCUMENT CONTROL CENTER FOR THE LATEST REVISION.

THE INFORMATION CONTAINED IN THIS DRAWING IS CONFIDENTIAL AND MAY NOT BE DISCLOSED WITHOUT WRITTEN CONSENT FROM SOURIAU USA, INC.

2

1

DWG. NO. JBX11NSFSC	FEMALE INSULATOR, SOLDER CONTACT																														
CONTACT LAYOUT	02	03	04	05																											
FRONT SIDE VIEW																															
REAR SIDE VIEW																															
CONTACT																															
ISO VIEW																															
CONTACT	<table border="1" style="width: 100%; border-collapse: collapse;"> <tr><td>ØC</td><td>1.3</td><td>1.3</td><td>0.9</td><td>0.9</td></tr> <tr><td>ØF</td><td>1.1</td><td>1.1</td><td>0.8</td><td>0.8</td></tr> <tr><td>MAX. AWG</td><td>20</td><td>20</td><td>24</td><td>24</td></tr> <tr><td>MAX. CURRENT RATING (A)</td><td>15</td><td>15</td><td>10</td><td>10</td></tr> <tr><td>CONTACT RESISTANCE (mΩ)</td><td>3</td><td>3</td><td>3.5</td><td>3.5</td></tr> </table>		ØC	1.3	1.3	0.9	0.9	ØF	1.1	1.1	0.8	0.8	MAX. AWG	20	20	24	24	MAX. CURRENT RATING (A)	15	15	10	10	CONTACT RESISTANCE (mΩ)	3	3	3.5	3.5				
ØC	1.3	1.3	0.9	0.9																											
ØF	1.1	1.1	0.8	0.8																											
MAX. AWG	20	20	24	24																											
MAX. CURRENT RATING (A)	15	15	10	10																											
CONTACT RESISTANCE (mΩ)	3	3	3.5	3.5																											
INSULATOR	<table border="1" style="width: 100%; border-collapse: collapse;"> <tr><td>NUMBER OF CAVITY</td><td>2</td><td>3</td><td>4</td><td>5</td></tr> <tr><td>MAX. CURRENT RATING</td><td>15</td><td>12</td><td>10</td><td>9</td></tr> <tr><td>TEST VOLTAGE (Vrms)</td><td>1600</td><td>1300</td><td>1900</td><td>1400</td></tr> <tr><td>WORKING VOLTAGE (Vdc/Vrms)</td><td>760/530</td><td>600/420</td><td>900/630</td><td>660/460</td></tr> </table>		NUMBER OF CAVITY	2	3	4	5	MAX. CURRENT RATING	15	12	10	9	TEST VOLTAGE (Vrms)	1600	1300	1900	1400	WORKING VOLTAGE (Vdc/Vrms)	760/530	600/420	900/630	660/460									
NUMBER OF CAVITY	2	3	4	5																											
MAX. CURRENT RATING	15	12	10	9																											
TEST VOLTAGE (Vrms)	1600	1300	1900	1400																											
WORKING VOLTAGE (Vdc/Vrms)	760/530	600/420	900/630	660/460																											
					<p>CONTACT TYPE : F (FEMALE)</p> <p>CONTACT TERMINATION : S (SOLDER)</p> <p>MATERIAL :</p> <p>CONTACT: CUPRO NICKEL</p> <p>CLIP: COPPER ALLOY</p> <p>INSULATOR: PEEK</p> <p>FINISH: GOLD</p> <p>CONTACTS: GOLD</p>																										
					<p>CATALOG NUMBER DESCRIPTION</p> <p style="text-align: center;">JBXXX 1 X YY F S XXXX</p> <p>BASIC SERIES ———— OPTION</p> <p>SHELL TYPE ———— INSERT MATERIAL</p> <p>SHELL SIZE ———— COLLET OPTION</p> <p>KEYING ———— SURFACE PLATING</p> <p>CONTACT LAYOUT ———— CONTACT TERMINATION</p> <p style="text-align: right;">————— CONTACT TYPE</p>	<table border="1" style="width: 100%; border-collapse: collapse;"> <tr> <td>B</td> <td>REVISED PER ECN 12286</td> <td>RSK 06-10-15</td> <td>EV 06-10-15</td> </tr> <tr> <td>A</td> <td>RELEASED PER ECN 12264</td> <td>SKV 03-10-15</td> <td>EV 03-10-15</td> </tr> <tr> <td>REV</td> <td>DESCRIPTION</td> <td>BY DATE</td> <td>CHKD DATE</td> </tr> </table>	B	REVISED PER ECN 12286	RSK 06-10-15	EV 06-10-15	A	RELEASED PER ECN 12264	SKV 03-10-15	EV 03-10-15	REV	DESCRIPTION	BY DATE	CHKD DATE													
B	REVISED PER ECN 12286	RSK 06-10-15	EV 06-10-15																												
A	RELEASED PER ECN 12264	SKV 03-10-15	EV 03-10-15																												
REV	DESCRIPTION	BY DATE	CHKD DATE																												
					<p>DRAWING TITLE</p> <p>JBX, SIZE 1, FEMALE INSULATOR, SOLDER CONTACT</p> <p>CAT NO. JBX11NSFS</p>	<table border="1" style="width: 100%; border-collapse: collapse;"> <tr> <td>CAGE NO: 09922</td> <td>SIZE: B</td> </tr> </table>	CAGE NO: 09922	SIZE: B																							
CAGE NO: 09922	SIZE: B																														
					<p>CUSTOMER</p> <p>SOURIAU</p> <p>WWW.SOURIAU.COM</p>	<table border="1" style="width: 100%; border-collapse: collapse;"> <tr> <td>APPROVAL</td> <td> <table border="1" style="width: 100%; border-collapse: collapse;"> <tr><td>DRAWN:</td><td>SKV</td><td>02-02-15</td></tr> <tr><td>CHKD :</td><td>EV</td><td>02-02-15</td></tr> <tr><td>DSGN :</td><td>EV</td><td>02-02-15</td></tr> <tr><td>MFG :</td><td>DH</td><td>02-02-15</td></tr> <tr><td>QC :</td><td>BB</td><td>02-02-15</td></tr> </table> </td> </tr> <tr> <td colspan="2">DRAWING SCALE: NA</td> </tr> <tr> <td colspan="2">DRAWING NO. REV</td> </tr> <tr> <td>JBX11NSFSC</td> <td>B</td> </tr> <tr> <td colspan="2" style="text-align: center;">1 OF 2</td> </tr> </table>	APPROVAL	<table border="1" style="width: 100%; border-collapse: collapse;"> <tr><td>DRAWN:</td><td>SKV</td><td>02-02-15</td></tr> <tr><td>CHKD :</td><td>EV</td><td>02-02-15</td></tr> <tr><td>DSGN :</td><td>EV</td><td>02-02-15</td></tr> <tr><td>MFG :</td><td>DH</td><td>02-02-15</td></tr> <tr><td>QC :</td><td>BB</td><td>02-02-15</td></tr> </table>	DRAWN:	SKV	02-02-15	CHKD :	EV	02-02-15	DSGN :	EV	02-02-15	MFG :	DH	02-02-15	QC :	BB	02-02-15	DRAWING SCALE: NA		DRAWING NO. REV		JBX11NSFSC	B	1 OF 2	
APPROVAL	<table border="1" style="width: 100%; border-collapse: collapse;"> <tr><td>DRAWN:</td><td>SKV</td><td>02-02-15</td></tr> <tr><td>CHKD :</td><td>EV</td><td>02-02-15</td></tr> <tr><td>DSGN :</td><td>EV</td><td>02-02-15</td></tr> <tr><td>MFG :</td><td>DH</td><td>02-02-15</td></tr> <tr><td>QC :</td><td>BB</td><td>02-02-15</td></tr> </table>	DRAWN:	SKV	02-02-15	CHKD :	EV	02-02-15	DSGN :	EV	02-02-15	MFG :	DH	02-02-15	QC :	BB	02-02-15															
DRAWN:	SKV	02-02-15																													
CHKD :	EV	02-02-15																													
DSGN :	EV	02-02-15																													
MFG :	DH	02-02-15																													
QC :	BB	02-02-15																													
DRAWING SCALE: NA																															
DRAWING NO. REV																															
JBX11NSFSC	B																														
1 OF 2																															
					<p>INTERPRET THIS DRAWING IN ACCORDANCE WITH ASME Y14.5M - 1994.</p>																										
					<p>1</p>																										

B

A

2

1

PRO-E

THIS DRAWING IS A CONTROLLED DOCUMENT FOR SOURIAU USA, INC. IT IS SUBJECT TO CHANGE WITHOUT NOTICE. CONTACT THE DOCUMENT CONTROL CENTER FOR THE LATEST REVISION.

THE INFORMATION CONTAINED IN THIS DRAWING IS CONFIDENTIAL AND MAY NOT BE DISCLOSED WITHOUT WRITTEN CONSENT FROM SOURIAU USA, INC.

DWG. NO.
JBX11NSFSC

CONTACT LAYOUT	06	07	08	10	12	
FRONT SIDE VIEW						
REAR SIDE VIEW						
CONTACT						
ISO VIEW						
CONTACT	ØC	0.7	0.7	0.7	0.5	
	ØF	0.81	0.81	0.81	0.5	
	MAX. AWG	22	22	22	28	28
	MAX. CURRENT RATING (A)	7	7	7	5	5
	CONTACT RESISTANCE (mΩ)	5	5	5	10	10
INSULATOR	NUMBER OF CAVITY	6	7	8	10	12
	MAX. CURRENT RATING	7	7	5	2.5	2.5
	TEST VOLTAGE (Vrms)	1400	1400	1200	600	500
	WORKING VOLTAGE (Vdc/Vrms)	660/460	660/460	600/420	300/200	170/120

DRAWING TITLE
JBX, SIZE 1, FEMALE INSULATOR, SOLDER CONTACT
CAT. NO. **JBX11NSFS**

LINEAR MEASURE:		mm (INCH)
THIRD ANGLE PROJECTION		
TOLERANCES UNLESS OTHERWISE SPECIFIED		
No. OF PLACES	mm [INCH]	
ONE PLACE	±3 [±.1]	
TWO PLACES	±0.5 [±.02]	
THREE PLACES	±0.25 [±.010]	
ANGLES ±1°		

CAGE NO: 09922 SIZE: B

CUSTOMER

INTERPRET THIS DRAWING IN ACCORDANCE WITH ASME Y14.5M - 1994.

SOURIAU

WWW.SOURIAU.COM

APPROVAL	DRAWN: SKV 02-02-15
	CHKD : EV 02-02-15
	DSGN : EV 02-02-15
	MFG : DH 02-02-15
	QC : BB 02-02-15
DRAWING SCALE: NA	
DRAWING NO. REV	
JBX11NSFSC	B
2 OF 2	

2

1

B

A

2

1

PRO-E

X-ON Electronics

Largest Supplier of Electrical and Electronic Components

Click to view similar products for [Circular Push Pull Connectors](#) category:

Click to view products by [Sunbank](#) manufacturer:

Other Similar products are found below :

[6407-249V-11273P](#) [6408-201V-13273](#) [6408-202V-13343](#) [6408-202V-17343](#) [EZG.0B.309.CLN](#) [FFA.2S.310.ZLA](#) [FGA.1B.307.CYCD72Z](#)
[FGJ.1B.304.CLLD76](#) [FGJ.1B.306.CWLD72](#) [FGJ.3B.304.CYMD10Z](#) [FGJ.3B.304.CYMD82Z](#) [FHG.1B.303.CYCZ](#) [PCS.01.250.DLLE24](#)
[PHG.0K.305.CYMC40Z](#) [PHG.1K.308.CLLK85](#) [PKG.M0.6BL.LZ](#) [PLC.M1.0SL.LA](#) [GMA.10.290.DN](#) [GMA.3B.090.DA](#)
[PRG.M0.6GL.LC52GZ](#) [PSA.1S.275.CTLC66](#) [ABF.1S.250.NTA](#) [133020F](#) [1331ER193MZ](#) [1332M107MZ](#) [DTS26Z19-32JA-LC](#) [DTS26Z19-](#)
[32SA](#) [DTS26Z19-32SA-LC](#) [EAJ.1B.306.CWA](#) [ECG.XB.312.CLL](#) [1589430-2](#) [EEA.0B.305.CLN](#) [EEA.0B.309.CLL](#) [ELF.00.250.NTL](#)
[BRR.2S.200.PZVG](#) [HR10A-P](#) [CAH.M34.SLL.C72GZ](#) [CAJ.M34.SLL.C72GZ](#) [300500](#) [EXG.0B.309.HLN](#) [FFB.1S.250.CLAC27](#)
[FGA.2B.306.CYCD92](#) [FGA.2B.306.CYCD92Z](#) [FGJ.3B.308.CLLD72Z](#) [FHG.1B.303.CYCD62](#) [FLC.00.250.CTAC27](#) [FLC.00.250.CTAC31](#)
[PCS.01.250.DLLE31](#) [PKA.M1.0TL.LG](#) [PKC.M0.7GL.NG](#)