

ELECTRICAL:

EMI SHIELDING : SHIELDED FOR THE RANGE 55dB UP TO 100MHZ

INSULATION RESISTANCE : >500MΩ PER ANSI-EIA-364-D METHOD 21

MAX. CURRENT RATING : SEE INSULATOR DRAWING

CONNECTOR TESTING VOLTAGE : SEE INSULATOR DRAWING

CONNECTOR WORKING VOLTAGE : SEE INSULATOR DRAWING

ENVIRONMENTAL:

ENDURANCE: 1000 CYCLES AS PER MIL-STD 1344A, METHOD 2016.1

SHOCK: 50 g . DURATION 6 ms; AS PER MIL-STD 1344A, METHOD 2004.1

VIBRATIONS: 10 TO 2000Hz g = 15g, AS PER MIL-STD 1344A, METHOD 2005.1

PROTECTION INDEX: IP 40 AS PER CEI 529

ROHS COMPLIANT

SALT MIST : 48Hr PER SAE AS 1344 METHOD 1001.1 CEI 529

OPERATING TEMPERATURE: -55°C TO +125°C (-67°F TO +257°F)

MASS (g)	VOLUME (mm ³)
13.2	2752

NOTES:

1 RED BAND

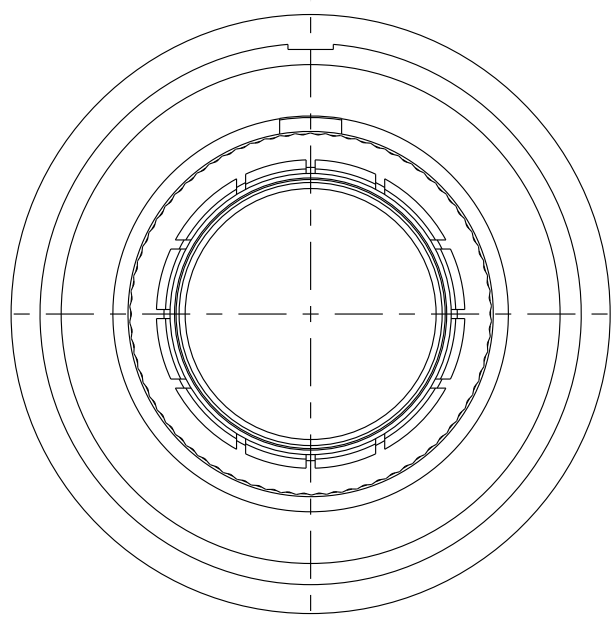
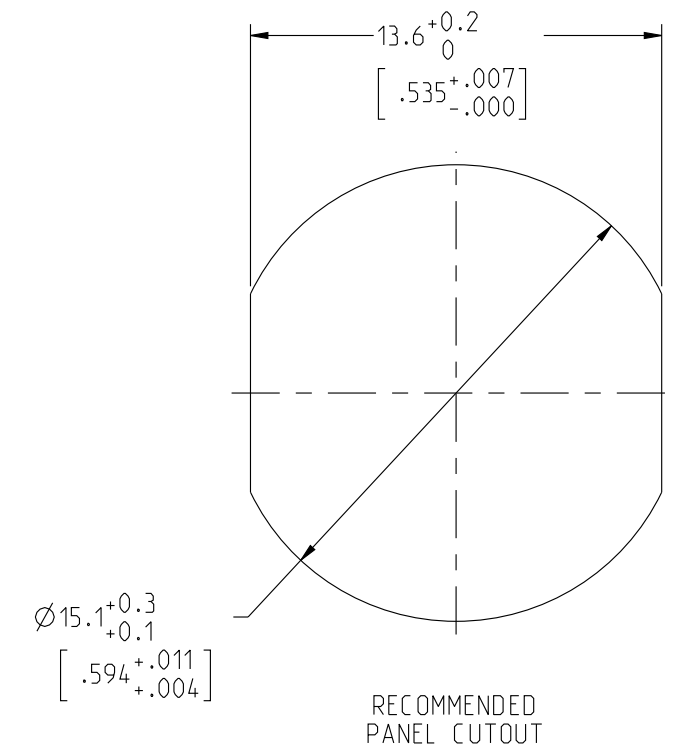
MATERIAL:

OUTER SHELL : } BRASS
SHIELD RING & NUT: }

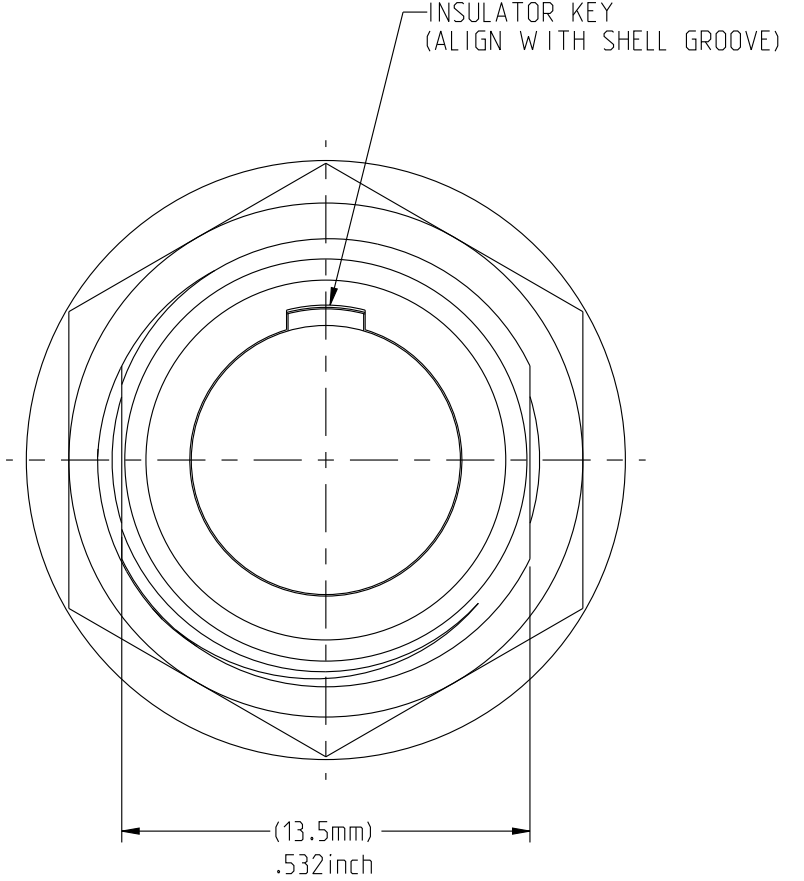
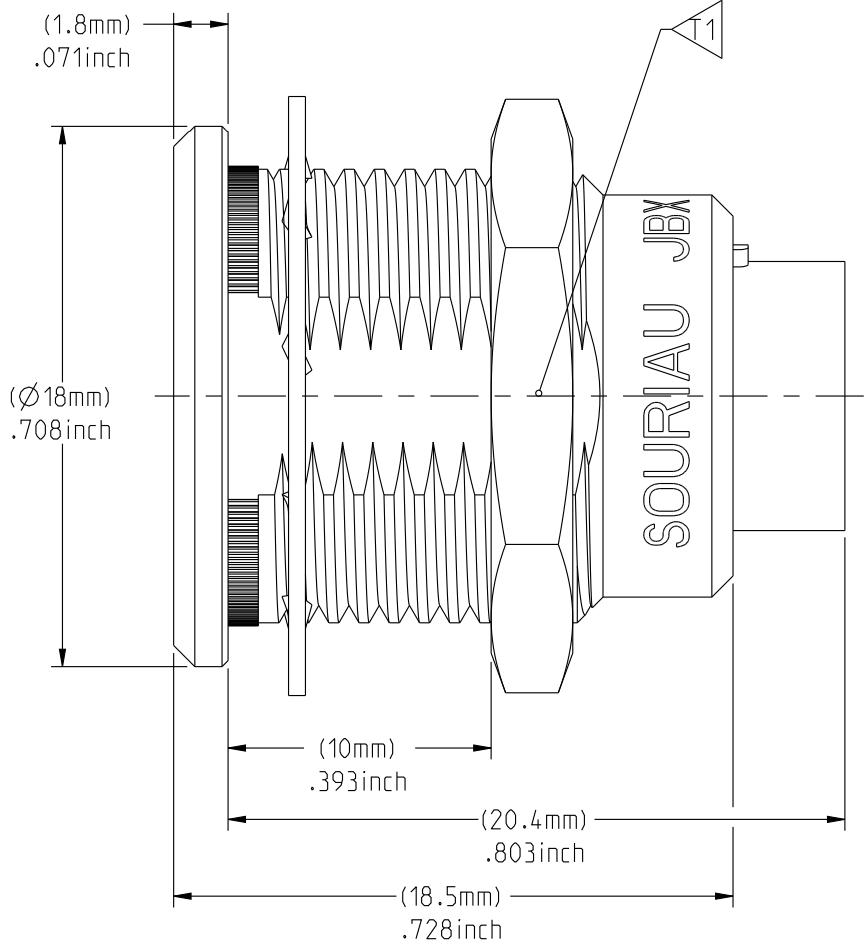
FINISH:

OUTER SHELL: CHROME
OTHER BRASS PARTS : NICKEL

T TOOLS



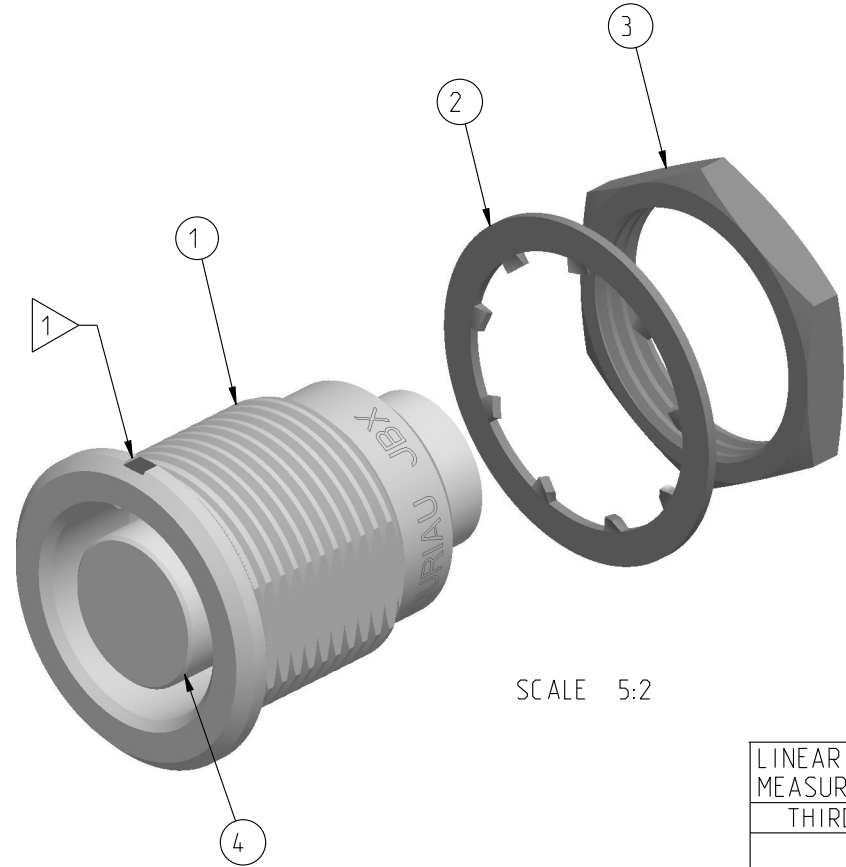
MATING SIDE VIEW



WIRE SIDE VIEW

PART LIST	
ITEM NO.	DESCRIPTION
1	SHELL
2	LOCK WASHER
3	HEX NUT
4	INSULATOR

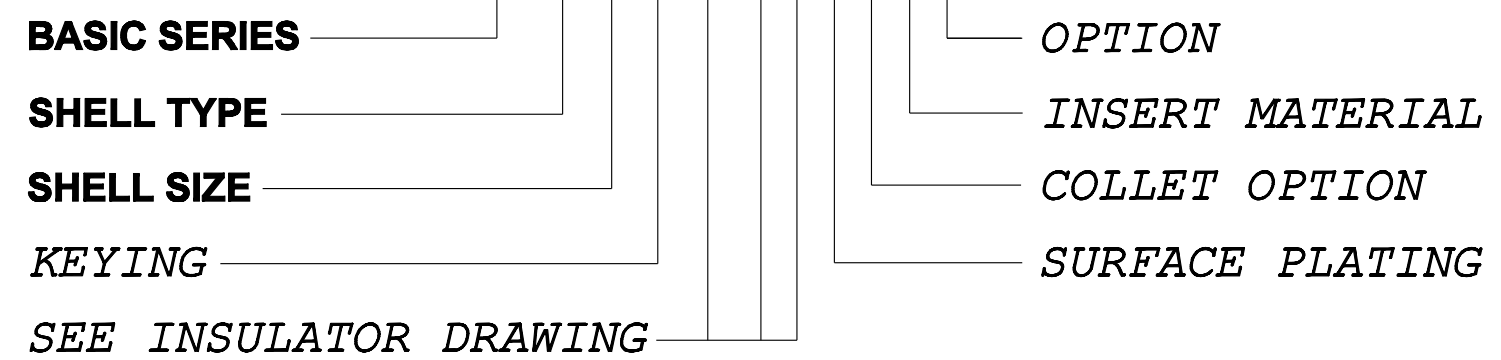
T1	TOOLS (JAW DIMENSION)	ADVISED TORQUE IN Nm
	17	1.7



SCALE 5:2

CATALOG NUMBER DESCRIPTION

JBX ER 2 XXXXXDXR



LINEAR MEASURE:	mm (INCH)
THIRD ANGLE PROJECTION	
TOLERANCES UNLESS OTHERWISE SPECIFIED	
No. OF PLACES	mm [INCH]
WHOLE No.	±0.5 [±.02]
ONE PLACE	±0.2 [±.008]
TWO PLACES	±0.1 [±.004]
ANGLES ±1°	

DRAWING TITLE: **JBX, SIZE 2, FRONT PANEL MOUNTING RECEPTACLE**

CAT NO. **JBXER2**

CAGE NO: 09922 SIZE: C

CUSTOMER

SOURIAU

www.souriau.com

APPROVAL:

DRAWN: SKV	01-12-15
CHKD : EV	01-12-15
DSGN : EV	01-12-15
MFG : DH	01-12-15
QC : BB	01-12-15

DRAWING SCALE: 4:1

DRAWING NO. **JBXER2C** REV **A**

1 OF 1

THIS DRAWING IS A CONTROLLED DOCUMENT FOR SOURIAU USA, INC. IT IS SUBJECT TO CHANGE WITHOUT NOTIFICATION. CONTACT THE DOCUMENT CONTROL CENTER FOR THE LATEST REVISION.

THE INFORMATION CONTAINED IN THIS DRAWING IS CONFIDENTIAL AND MAY NOT BE DISCLOSED WITHOUT WRITTEN CONSENT FROM SOURIAU USA, INC.

C

B

D

C

B

A

THIS DRAWING IS A CONTROLLED DOCUMENT FOR SOURIAU USA, INC. IT IS SUBJECT TO CHANGE WITHOUT NOTICE. CONTACT THE DOCUMENT CONTROL CENTER FOR THE LATEST REVISION.

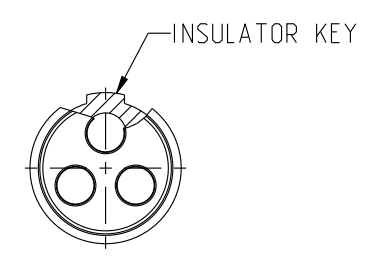
THE INFORMATION CONTAINED IN THIS DRAWING IS CONFIDENTIAL AND MAY NOT BE DISCLOSED WITHOUT WRITTEN CONSENT FROM SOURIAU USA, INC.

2

1

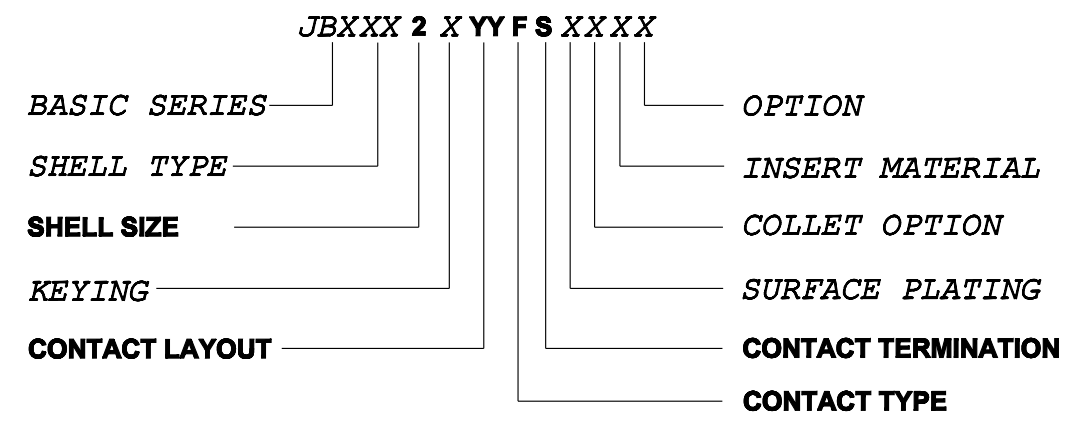
DWG. NO. JBX2INSFSC **FEMALE INSULATOR, SOLDER CONTACT**

CONTACT LAYOUT	02	03	04	05
FRONT SIDE VIEW				
REAR SIDE VIEW				
CONTACT				
ISO VIEW				
$\varnothing C$	2	1.6	1.3	1.3
$\varnothing F$	1.9	1.5	1.1	1.1
MAX. AWG	16	18	20	20
MAX. CURRENT RATING (A)	30	17	15	15
CONTACT RESISTANCE (m Ω)	2.5	2.5	3	3
NUMBER OF CAVITY	2	3	4	5
MAX. CURRENT RATING	30	17	15	14
TEST VOLTAGE (Vrms)	2100	1700	2400	1900
WORKING VOLTAGE (Vdc/Vrms)	1000/700	830/560	1000/700	900/630



CONTACT TYPE : F (FEMALE)
CONTACT TERMINATION : S (SOLDER)
MATERIAL :
 CONTACT: CUPRO-NICKEL
 CLIP: COPPER ALLOY
 INSULATOR: PEEK
 FINISH:
 CONTACTS : GOLD

CATALOG NUMBER DESCRIPTION



REV	DESCRIPTION	BY DATE	CHKD DATE
B	REVISED PER ECN 12286	RSK 06-10-15	EV 06-10-15
A	RELEASED PER ECN 12264	TJS 03-10-15	EV 03-10-15

DRAWING TITLE: **JBX, SIZE 2, FEMALE INSULATOR, SOLDER CONTACT**

CAT NO. **JBX2INSFSC**

CAGE NO: 09922	SIZE: B	APPROVAL
CUSTOMER	SOURIAU	DRAWN: TJS 02-04-15
		CHKD : EV 02-04-15
INTERPRET THIS DRAWING IN ACCORDANCE WITH ASME Y14.5M - 1994.	WWW.SOURIAU.COM	DSGN : EV 02-04-15
		MFG : DH 02-04-15
		QC : BB 02-04-15
		DRAWING SCALE: NA
		DRAWING NO. REV
		JBX2INSFSC B
		1 OF 3

B

A

2

1

PRO-E

THIS DRAWING IS A CONTROLLED DOCUMENT FOR SOURIAU USA, INC. IT IS SUBJECT TO CHANGE WITHOUT NOTICE. CONTACT THE DOCUMENT CONTROL CENTER FOR THE LATEST REVISION.

THE INFORMATION CONTAINED IN THIS DRAWING IS CONFIDENTIAL AND MAY NOT BE DISCLOSED WITHOUT WRITTEN CONSENT FROM SOURIAU USA, INC.

2

1

DWG. NO.
JBX2INSFSC

CONTACT LAYOUT	06	07	08	10	
FRONT SIDE VIEW					
REAR SIDE VIEW					
CONTACT					
ISO VIEW					
CONTACT	ØC	1.3	1.3	0.9	0.9
	ØF	1.1	1.1	0.8	0.8
	MAX. AWG	20	20	24	24
	MAX. CURRENT RATING (A)	15	15	10	10
INSULATOR	CONTACT RESISTANCE (mΩ)	3	3	3.5	3.5
	NUMBER OF CAVITY	6	7	8	10
	MAX. CURRENT RATING	12	11	10	8
	TEST VOLTAGE (Vrms)	1900	1500	1700	1700
WORKING VOLTAGE (Vdc/Vrms)	900/630	730/500	830/560	830/560	

DRAWING TITLE
JBX, SIZE 2, FEMALE INSULATOR, SOLDER CONTACT

CAT. NO. **JBX2INSFS**

CAGE NO: 09922 SIZE: B

CUSTOMER

SOURIAU
WWW.SOURIAU.COM

APPROVAL	DRAWN: TJS	02-04-15
	CHKD : EV	02-04-15
	DSGN : EV	02-04-15
	MFG : DH	02-04-15
QC : BB	02-04-15	
DRAWING SCALE: NA		
DRAWING NO. REV		
JBX2INSFSC	B	
2 OF 3		

INTERPRET THIS DRAWING IN ACCORDANCE WITH ASME Y14.5M - 1994.

B

A

2

1

PRO-E

THIS DRAWING IS A CONTROLLED DOCUMENT FOR SOURIAU USA, INC. IT IS SUBJECT TO CHANGE WITHOUT NOTICE. CONTACT THE DOCUMENT CONTROL CENTER FOR THE LATEST REVISION.

THE INFORMATION CONTAINED IN THIS DRAWING IS CONFIDENTIAL AND MAY NOT BE DISCLOSED WITHOUT WRITTEN CONSENT FROM SOURIAU USA, INC.

2

1

DWG. NO. JBX2INSFSC					
CONTACT LAYOUT	12	16	18	19	
FRONT SIDE VIEW					
REAR SIDE VIEW					
CONTACT					
ISO VIEW					
CONTACT	ØC	0.7	0.7	0.7	0.7
	ØF	0.81	0.81	0.81	0.81
	MAX. AWG	22	22	22	22
	MAX. CURRENT RATING (A)	7	7	7	7
INSULATOR	CONTACT RESISTANCE (mΩ)	5	5	5	5
	NUMBER OF CAVITY	12	16	18	19
	MAX. CURRENT RATING	7	6	5.5	5
	TEST VOLTAGE (Vrms)	1700	1500	1400	1400
WORKING VOLTAGE (Vdc/Vrms)	830/560	730/500	660/460	660/460	
DRAWING TITLE JBX, SIZE 2, FEMALE INSULATOR, SOLDER CONTACT					
CAT. NO. JBX2INSFS					
		CAGE NO: 09922	SIZE: B		
CUSTOMER		SOURIAU			
		WWW.SOURIAU.COM			
INTERPRET THIS DRAWING IN ACCORDANCE WITH ASME Y14.5M - 1994.					
		3 OF 3			

B

A

2

1

PRO-E

X-ON Electronics

Largest Supplier of Electrical and Electronic Components

Click to view similar products for [Circular Push Pull Connectors](#) category:

Click to view products by [Sunbank](#) manufacturer:

Other Similar products are found below :

[6407-249V-11273P](#) [6408-201V-13273](#) [6408-202V-13343](#) [6408-202V-17343](#) [EZG.0B.309.CLN](#) [FFA.2S.310.ZLA](#) [FGA.1B.307.CYCD72Z](#)
[FGJ.1B.304.CLLD76](#) [FGJ.1B.306.CWLD72](#) [FGJ.3B.304.CYMD10Z](#) [FGJ.3B.304.CYMD82Z](#) [FHG.1B.303.CYCZ](#) [PCS.01.250.DLLE24](#)
[PHG.0K.305.CYMC40Z](#) [PHG.1K.308.CLLK85](#) [PKG.M0.6BL.LZ](#) [PLC.M1.0SL.LA](#) [GMA.10.290.DN](#) [GMA.3B.090.DA](#)
[PRG.M0.6GL.LC52GZ](#) [PSA.1S.275.CTLC66](#) [ABF.1S.250.NTA](#) [133020F](#) [1331ER193MZ](#) [1332M107MZ](#) [DTS26Z19-32JA-LC](#) [DTS26Z19-](#)
[32SA](#) [DTS26Z19-32SA-LC](#) [EAJ.1B.306.CWA](#) [ECG.XB.312.CLL](#) [1589430-2](#) [EEA.0B.305.CLN](#) [EEA.0B.309.CLL](#) [ELF.00.250.NTL](#)
[BRR.2S.200.PZVG](#) [HR10A-P](#) [CAH.M34.SLL.C72GZ](#) [CAJ.M34.SLL.C72GZ](#) [300500](#) [EXG.0B.309.HLN](#) [FFB.1S.250.CLAC27](#)
[FGA.2B.306.CYCD92](#) [FGA.2B.306.CYCD92Z](#) [FGJ.3B.308.CLLD72Z](#) [FHG.1B.303.CYCD62](#) [FLC.00.250.CTAC27](#) [FLC.00.250.CTAC31](#)
[PCS.01.250.DLLE31](#) [PKA.M1.0TL.LG](#) [PKC.M0.7GL.NG](#)