

THIS DRAWING IS A CONTROLLED DOCUMENT FOR SOURIAU USA, INC. IT IS SUBJECT TO CHANGE WITHOUT NOTIFICATION. CONTACT THE DOCUMENT CONTROL CENTER FOR THE LATEST REVISION.

DWG. NO. **JBXEZIC**

4

3

2

1

MASS (g)	VOLUME (mm ³)
11.4	1822

ELECTRICAL:
 EMI SHIELDING : SHIELDED FOR THE RANGE 55dB UP TO 100MHZ
 INSULATION RESISTANCE : >500MΩ PER ANSI-EIA-364-D METHOD 21
 MAX. CURRENT RATING : SEE INSULATOR DRAWING
 CONNECTOR TESTING VOLTAGE : SEE INSULATOR DRAWING
 CONNECTOR WORKING VOLTAGE : SEE INSULATOR DRAWING

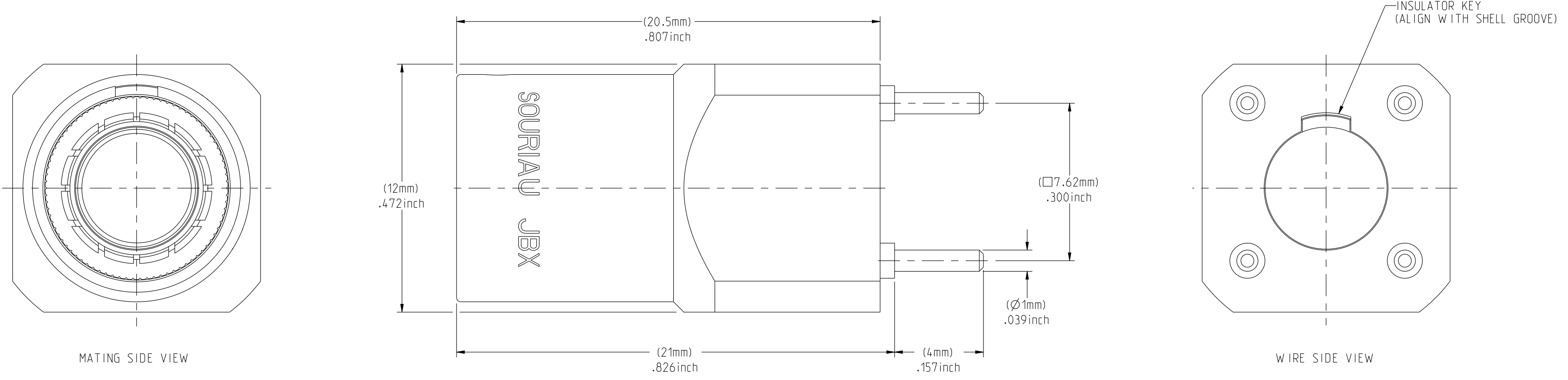
ENVIRONMENTAL:
 ENDURANCE: 1000 CYCLES AS PER MIL-STD 1344A, METHOD 2016.1
 SHOCK: 50 g , DURATION 6 ms; AS PER MIL-STD 1344A, METHOD 2004.1
 VIBRATIONS: 10 TO 2000Hz g = 15g, AS PER MIL-STD 1344A, METHOD 2005.1
 PROTECTION INDEX: IP 40 AS PER CEI 529

ROHS COMPLIANT

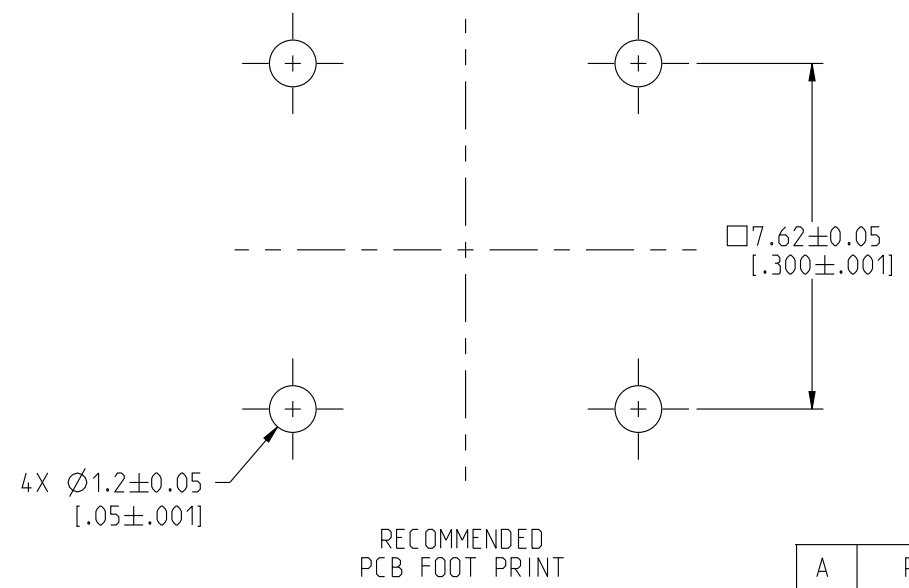
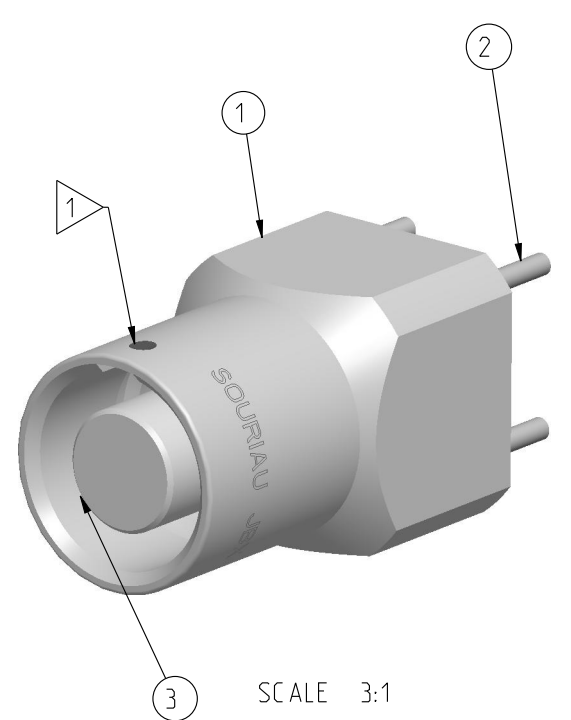
SALT MIST : 48Hr PER SAE AS 1344 METHOD 1001.1 CEI 529

OPERATING TEMPERATURE: -55°C TO +125°C (-67°F TO +257°F)

NOTES:
 1 RED DOT
MATERIAL:
 OUTER SHELL & SHIELD RING : } BRASS
FINISH:
 OUTER SHELL : CHROME
 OTHER BRASS PARTS : NICKEL

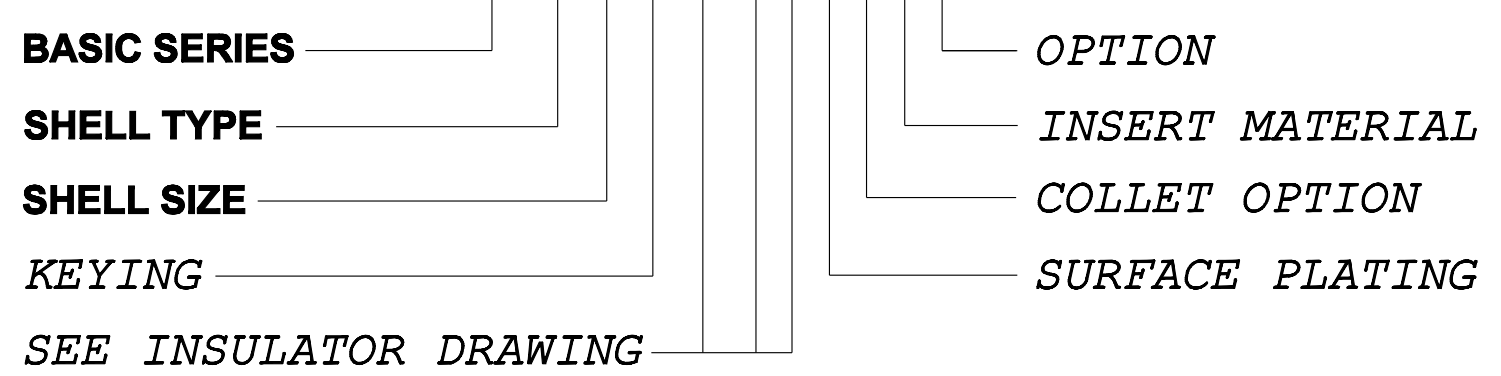


PART LIST	
ITEM NO.	DESCRIPTION
1	SHELL
2	MOUNTING PIN
3	INSULATOR



CATALOG NUMBER DESCRIPTION

JBX EZ 1 XXXXXDXR



LINEAR MEASURE:	mm (INCH)
THIRD ANGLE PROJECTION	
TOLERANCES UNLESS OTHERWISE SPECIFIED	
No. OF PLACES	mm [INCH]
WHOLE No.	±0.5 [±.02]
ONE PLACE	±0.2 [±.008]
TWO PLACES	±0.1 [±.004]
ANGLES ±1°	

DRAWING TITLE
JBX, SIZE 1, RECEPTACLE FOR PCB

CAT NO. **JBXEZ1**

CAGE NO: 09922 SIZE: C

CUSTOMER

SOURIAU

www.souriau.com

APPROVAL

DRAWN: SKV	01-21-15
CHKD: EV	01-21-15
DSGN: EV	01-21-15
MFG: DH	01-21-15
QC: BB	01-21-15

DRAWING SCALE: 6:1

DRAWING NO. **JBXEZIC** REV **A**

1 OF 1

4

3

2

1

PRO-E

THIS DRAWING IS A CONTROLLED DOCUMENT FOR SOURIAU USA, INC. IT IS SUBJECT TO CHANGE WITHOUT NOTICE. CONTACT THE DOCUMENT CONTROL CENTER FOR THE LATEST REVISION.

THE INFORMATION CONTAINED IN THIS DRAWING IS CONFIDENTIAL AND MAY NOT BE DISCLOSED WITHOUT WRITTEN CONSENT FROM SOURIAU USA, INC.

2

1

DWG. NO. JBX11NSFPC	FEMALE INSULATOR, STRAIGHT PCB CONTACT				
CONTACT LAYOUT	02	03	04	05	<p>CONTACT TYPE : F (FEMALE)</p> <p>CONTACT TERMINATION : P (PCB)</p> <p>MATERIAL :</p> <p>CONTACT: CUPRO NICKEL</p> <p>INSULATOR: PEEK</p> <p>FINISH :</p> <p>CONTACTS: GOLD</p>
FRONT SIDE VIEW					
REAR SIDE VIEW					
CONTACT					
ISO VIEW					<p>CATALOG NUMBER DESCRIPTION</p> <p style="text-align: center;">JBXXX 1 X YYFP XXXX</p> <p>BASIC SERIES ——— ——— OPTION</p> <p>SHELL TYPE ——— ——— INSERT MATERIAL</p> <p>SHELL SIZE ——— ——— COLLET OPTION</p> <p>KEYING ——— ——— SURFACE PLATING</p> <p>CONTACT LAYOUT ——— ——— CONTACT TERMINATION</p> <p style="margin-left: 150px;"> ——— CONTACT TYPE</p>
	ØC	1.3	1.3	0.9	0.9
	ØF	0.7	0.7	0.7	0.7
	MAX. AWG	-	-	-	-
	MAX. CURRENT RATING (A)	15	15	10	10
	CONTACT RESISTANCE (mΩ)	3	3	3.5	3.5
	NUMBER OF CAVITY	2	3	4	5
	MAX. CURRENT RATING	15	12	10	9
	TEST VOLTAGE (Vrms)	1600	1300	1900	1400
	WORKING VOLTAGE (Vdc/Vrms)	760/530	600/420	900/630	660/460
CONTACT					
INSULATOR					
DRAWING TITLE					
JBX, SIZE 1, FEMALE INSULATOR, PCB CONTACT					
CAT NO. JBX11NSFP					
CUSTOMER			SOURIAU		
WWW.SOURIAU.COM			1 OF 3		
PRO-E					

B

A

2

1

LINEAR MEASURE: mm (INCH)	
THIRD ANGLE PROJECTION	
TOLERANCES UNLESS OTHERWISE SPECIFIED	
No. OF PLACES	mm [INCH]
ONE PLACE	±3 [±.1]
TWO PLACES	±0.5 [±.02]
THREE PLACES	±0.25 [±.010]
ANGLES ±1°	

CAGE NO: 09922				SIZE: B	
APPROVAL					
DRAWN:	SKV	02-02-15			
CHKD :	EV	02-02-15			
DSGN :	EV	02-02-15			
MFG :	DH	02-02-15			
QC :	BB	02-02-15			
DRAWING SCALE: NA					
DRAWING NO.				REV	
JBX11NSFPC				B	
1 OF 3					

INTERPRET THIS DRAWING IN ACCORDANCE WITH ASME Y14.5M - 1994.

THIS DRAWING IS A CONTROLLED DOCUMENT FOR SOURIAU USA, INC. IT IS SUBJECT TO CHANGE WITHOUT NOTICE. CONTACT THE DOCUMENT CONTROL CENTER FOR THE LATEST REVISION.

THE INFORMATION CONTAINED IN THIS DRAWING IS CONFIDENTIAL AND MAY NOT BE DISCLOSED WITHOUT WRITTEN CONSENT FROM SOURIAU USA, INC.

2	1																																																																						
<p>DWG. NO. JBX11NSFPC</p>	<table border="1" style="width: 100%; border-collapse: collapse;"> <tr> <th style="text-align: left;">CONTACT LAYOUT</th> <th style="text-align: center;">06</th> <th style="text-align: center;">07</th> <th style="text-align: center;">08</th> <th style="text-align: center;">10</th> <th style="text-align: center;">12</th> </tr> <tr> <td style="text-align: center;">FRONT SIDE VIEW</td> <td></td> <td></td> <td></td> <td></td> <td></td> </tr> <tr> <td style="text-align: center;">REAR SIDE VIEW</td> <td></td> <td></td> <td></td> <td></td> <td></td> </tr> <tr> <td style="text-align: center;">CONTACT</td> <td colspan="2"></td> <td colspan="3"></td> </tr> <tr> <td style="text-align: center;">ISO VIEW</td> <td></td> <td></td> <td></td> <td></td> <td></td> </tr> </table>	CONTACT LAYOUT	06	07	08	10	12	FRONT SIDE VIEW						REAR SIDE VIEW						CONTACT						ISO VIEW																																													
CONTACT LAYOUT	06	07	08	10	12																																																																		
FRONT SIDE VIEW																																																																							
REAR SIDE VIEW																																																																							
CONTACT																																																																							
ISO VIEW																																																																							
<table border="1" style="width: 100%; border-collapse: collapse;"> <tr> <td rowspan="5" style="writing-mode: vertical-rl; transform: rotate(180deg); text-align: center;">CONTACT</td> <td style="text-align: center;">ØC</td> <td style="text-align: center;">0.7</td> <td style="text-align: center;">0.7</td> <td style="text-align: center;">0.7</td> <td style="text-align: center;">0.5</td> <td style="text-align: center;">0.5</td> </tr> <tr> <td style="text-align: center;">ØF</td> <td style="text-align: center;">0.5</td> <td style="text-align: center;">0.5</td> <td style="text-align: center;">0.5</td> <td style="text-align: center;">0.5</td> <td style="text-align: center;">0.5</td> </tr> <tr> <td style="text-align: center;">MAX. AWG</td> <td style="text-align: center;">-</td> <td style="text-align: center;">-</td> <td style="text-align: center;">-</td> <td style="text-align: center;">-</td> <td style="text-align: center;">-</td> </tr> <tr> <td style="text-align: center;">MAX. CURRENT RATING (A)</td> <td style="text-align: center;">7</td> <td style="text-align: center;">7</td> <td style="text-align: center;">7</td> <td style="text-align: center;">5</td> <td style="text-align: center;">5</td> </tr> <tr> <td style="text-align: center;">CONTACT RESISTANCE (mΩ)</td> <td style="text-align: center;">5</td> <td style="text-align: center;">5</td> <td style="text-align: center;">5</td> <td style="text-align: center;">10</td> <td style="text-align: center;">10</td> </tr> <tr> <td rowspan="4" style="writing-mode: vertical-rl; transform: rotate(180deg); text-align: center;">INSULATOR</td> <td style="text-align: center;">NUMBER OF CAVITY</td> <td style="text-align: center;">6</td> <td style="text-align: center;">7</td> <td style="text-align: center;">8</td> <td style="text-align: center;">10</td> <td style="text-align: center;">12</td> </tr> <tr> <td style="text-align: center;">MAX. CURRENT RATING</td> <td style="text-align: center;">7</td> <td style="text-align: center;">7</td> <td style="text-align: center;">5</td> <td style="text-align: center;">2.5</td> <td style="text-align: center;">2.5</td> </tr> <tr> <td style="text-align: center;">TEST VOLTAGE (Vrms)</td> <td style="text-align: center;">1400</td> <td style="text-align: center;">1400</td> <td style="text-align: center;">1200</td> <td style="text-align: center;">600</td> <td style="text-align: center;">500</td> </tr> <tr> <td style="text-align: center;">WORKING VOLTAGE (Vdc/Vrms)</td> <td style="text-align: center;">660/460</td> <td style="text-align: center;">660/460</td> <td style="text-align: center;">600/420</td> <td style="text-align: center;">300/200</td> <td style="text-align: center;">170/120</td> </tr> </table>	CONTACT	ØC	0.7	0.7	0.7	0.5	0.5	ØF	0.5	0.5	0.5	0.5	0.5	MAX. AWG	-	-	-	-	-	MAX. CURRENT RATING (A)	7	7	7	5	5	CONTACT RESISTANCE (mΩ)	5	5	5	10	10	INSULATOR	NUMBER OF CAVITY	6	7	8	10	12	MAX. CURRENT RATING	7	7	5	2.5	2.5	TEST VOLTAGE (Vrms)	1400	1400	1200	600	500	WORKING VOLTAGE (Vdc/Vrms)	660/460	660/460	600/420	300/200	170/120	<table border="1" style="width: 100%; border-collapse: collapse;"> <tr> <td colspan="2" style="text-align: center;">DRAWING TITLE</td> </tr> <tr> <td colspan="2" style="text-align: center;">JBX, SIZE 1, FEMALE INSULATOR, PCB CONTACT</td> </tr> <tr> <td colspan="2" style="text-align: center;">CAT. NO. JBX11NSFP</td> </tr> <tr> <td style="width: 50%;">CAGE NO: 09922</td> <td style="width: 50%;">SIZE: B</td> </tr> <tr> <td style="text-align: center; vertical-align: middle;">CUSTOMER</td> <td style="text-align: center; vertical-align: middle;">SOURIAU</td> </tr> <tr> <td colspan="2" style="text-align: center;">INTERPRET THIS DRAWING IN ACCORDANCE WITH ASME Y14.5M - 1994.</td> </tr> <tr> <td style="text-align: center;">WWW.SOURIAU.COM</td> <td style="text-align: center;">2 OF 3</td> </tr> </table>	DRAWING TITLE		JBX, SIZE 1, FEMALE INSULATOR, PCB CONTACT		CAT. NO. JBX11NSFP		CAGE NO: 09922	SIZE: B	CUSTOMER	SOURIAU	INTERPRET THIS DRAWING IN ACCORDANCE WITH ASME Y14.5M - 1994.		WWW.SOURIAU.COM	2 OF 3
CONTACT		ØC	0.7	0.7	0.7	0.5	0.5																																																																
		ØF	0.5	0.5	0.5	0.5	0.5																																																																
		MAX. AWG	-	-	-	-	-																																																																
		MAX. CURRENT RATING (A)	7	7	7	5	5																																																																
	CONTACT RESISTANCE (mΩ)	5	5	5	10	10																																																																	
INSULATOR	NUMBER OF CAVITY	6	7	8	10	12																																																																	
	MAX. CURRENT RATING	7	7	5	2.5	2.5																																																																	
	TEST VOLTAGE (Vrms)	1400	1400	1200	600	500																																																																	
	WORKING VOLTAGE (Vdc/Vrms)	660/460	660/460	600/420	300/200	170/120																																																																	
DRAWING TITLE																																																																							
JBX, SIZE 1, FEMALE INSULATOR, PCB CONTACT																																																																							
CAT. NO. JBX11NSFP																																																																							
CAGE NO: 09922	SIZE: B																																																																						
CUSTOMER	SOURIAU																																																																						
INTERPRET THIS DRAWING IN ACCORDANCE WITH ASME Y14.5M - 1994.																																																																							
WWW.SOURIAU.COM	2 OF 3																																																																						

B

A

2

1

PRO-E

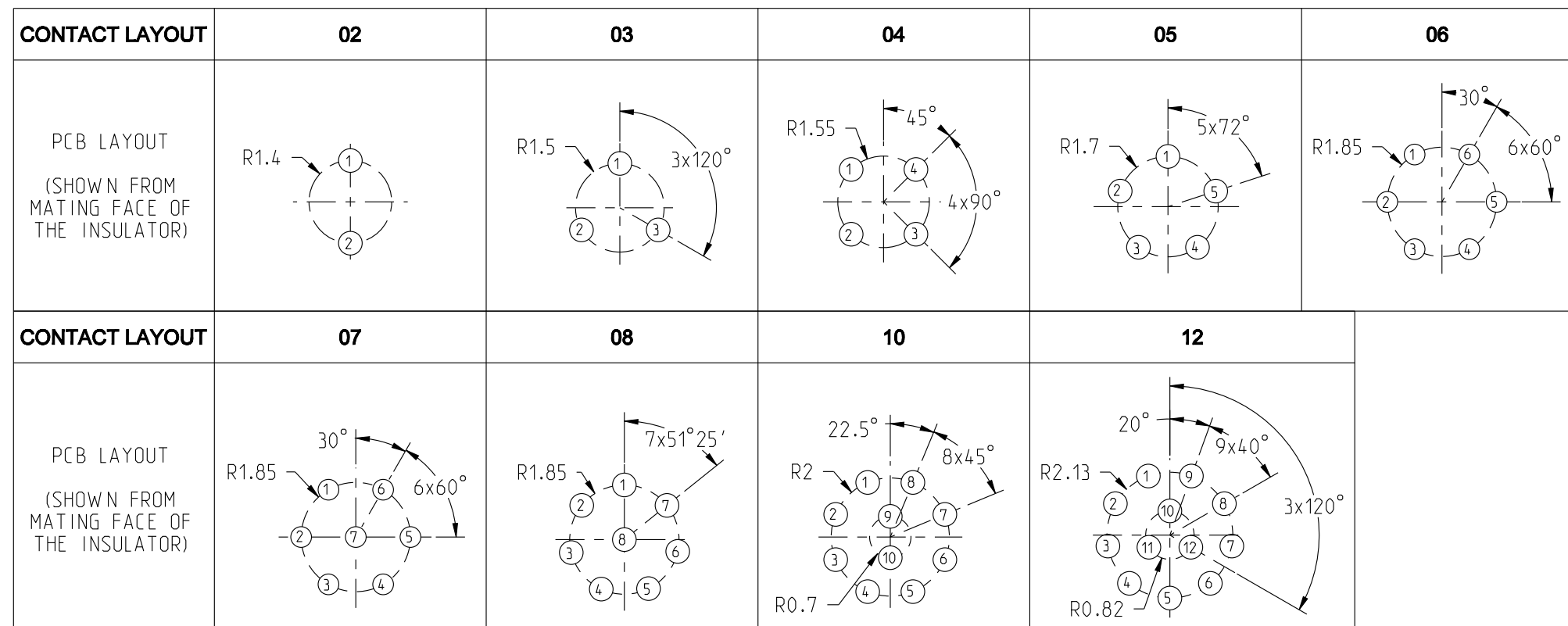
THIS DRAWING IS A CONTROLLED DOCUMENT FOR SOURIAU USA, INC. IT IS SUBJECT TO CHANGE WITHOUT NOTICE. CONTACT THE DOCUMENT CONTROL CENTER FOR THE LATEST REVISION.

THE INFORMATION CONTAINED IN THIS DRAWING IS CONFIDENTIAL AND MAY NOT BE DISCLOSED WITHOUT WRITTEN CONSENT FROM SOURIAU USA, INC.

2

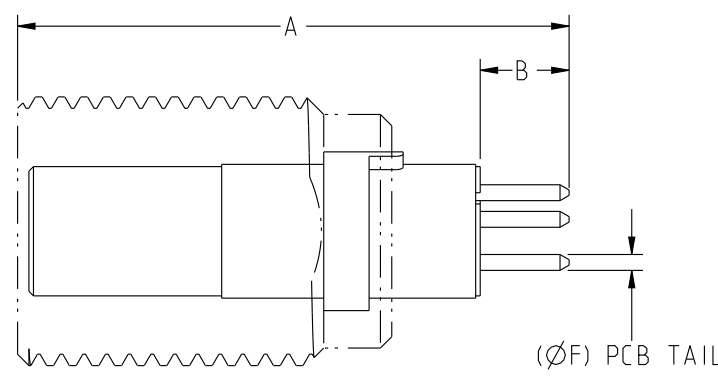
1

DWG. NO.
JBX11NSFPC



- ALL DIMENSIONS ARE ± 0.05
- SEE TABLE FOR RECOMMENDED FINISHED PCB HOLE SIZE.

CONTACT PCB TAIL SIZE DIA	FINISHED PCB HOLE SIZE DIA
0.5	0.75
0.7	0.95



LAYOUT	02	03	04	05	06	07	08	10	12
A				24.3					24.0
B				3.9					5.1

LINEAR MEASURE:	$\frac{mm}{INCH}$ mm (INCH)
THIRD ANGLE PROJECTION	
TOLERANCES UNLESS OTHERWISE SPECIFIED	
No. OF PLACES	mm [INCH]
ONE PLACE	± 3 [$\pm .1$]
TWO PLACES	± 0.5 [$\pm .02$]
THREE PLACES	± 0.25 [$\pm .010$]
ANGLES	$\pm 1^\circ$

DRAWING TITLE JBX, SIZE 1, FEMALE INSULATOR, PCB CONTACT	
CAT. NO. JBX11NSFP	
CAGE NO: 09922	SIZE: B
CUSTOMER	SOURIAU
INTERPRET THIS DRAWING IN ACCORDANCE WITH ASME Y14.5M - 1994.	
WWW.SOURIAU.COM	
APPROVAL	DRAWN: SKV 02-02-15 CHKD : EV 02-02-15 DSGN : EV 02-02-15 MFG : DH 02-02-15 QC : BB 02-02-15
	DRAWING SCALE: NA
	DRAWING NO. REV
	JBX11NSFPC B
	3 OF 3

B

A

2

1

PRO-E

X-ON Electronics

Largest Supplier of Electrical and Electronic Components

Click to view similar products for [Circular Push Pull Connectors](#) category:

Click to view products by [Sunbank](#) manufacturer:

Other Similar products are found below :

[6407-249V-11273P](#) [6408-201V-13273](#) [6408-202V-13343](#) [6408-202V-17343](#) [EZG.0B.309.CLN](#) [FFA.2S.310.ZLA](#) [FGA.1B.307.CYCD72Z](#)
[FGJ.1B.304.CLLD76](#) [FGJ.1B.306.CWLD72](#) [FGJ.3B.304.CYMD82Z](#) [FHG.1B.303.CYCZ](#) [PCS.01.250.DLLE24](#) [PHG.0K.305.CYMC40Z](#)
[PHG.1K.308.CLLK85](#) [PHG.2K.310.CYMC60Z](#) [PHG.2K.310.CYMC85Z](#) [PKG.M0.6BL.LZ](#) [PLC.M1.0SL.LA](#) [GMA.10.290.DN](#)
[GMA.3B.090.DA](#) [PRG.M0.6GL.LC52GZ](#) [PSA.1S.275.CTLC66](#) [ABF.1S.250.NTA](#) [D38999/26ZF11PA-LC](#) [133020F](#) [1331ER193MZ](#)
[1332M107MZ](#) [DTS26Z19-32JA-LC](#) [DTS26Z19-32SA](#) [DTS26Z19-32SA-LC](#) [EAJ.1B.306.CWA](#) [ECG.XB.312.CLL](#) [1589430-2](#)
[ELF.00.250.NTL](#) [BRR.2S.200.PZVG](#) [HR10A-P](#) [CAH.M34.SLL.C72GZ](#) [CAJ.M34.SLL.C72GZ](#) [300500](#) [EXG.0B.309.HLN](#)
[FFB.1S.250.CLAC27](#) [FGA.2B.306.CYCD92](#) [FGA.2B.306.CYCD92Z](#) [FGJ.3B.308.CLLD72Z](#) [FHG.1B.303.CYCD62](#) [FLC.00.250.CTAC27](#)
[FLC.00.250.CTAC31](#) [PCS.01.250.DLLE31](#) [PKA.M1.0TL.LG](#) [PKC.M0.7GL.NG](#)