

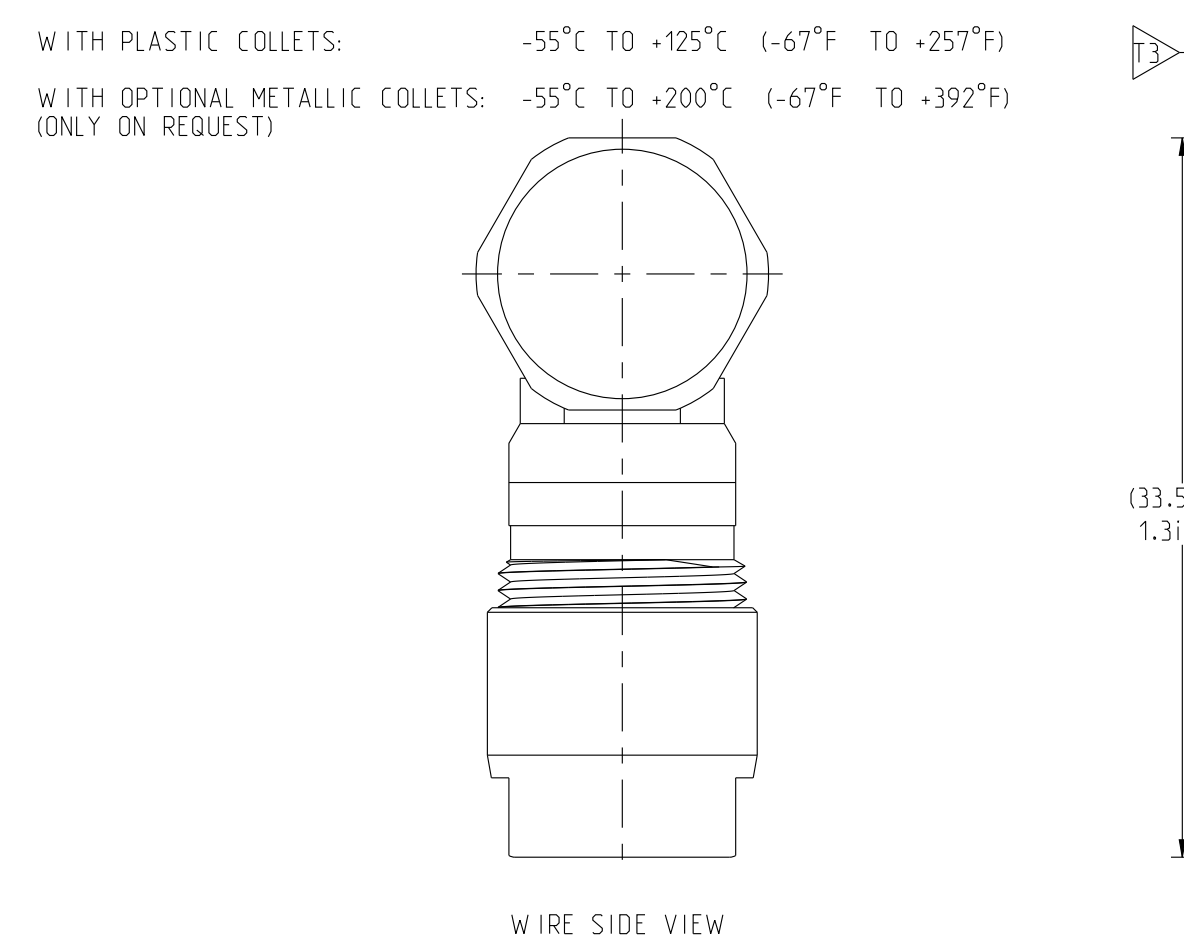
**4**

**3**

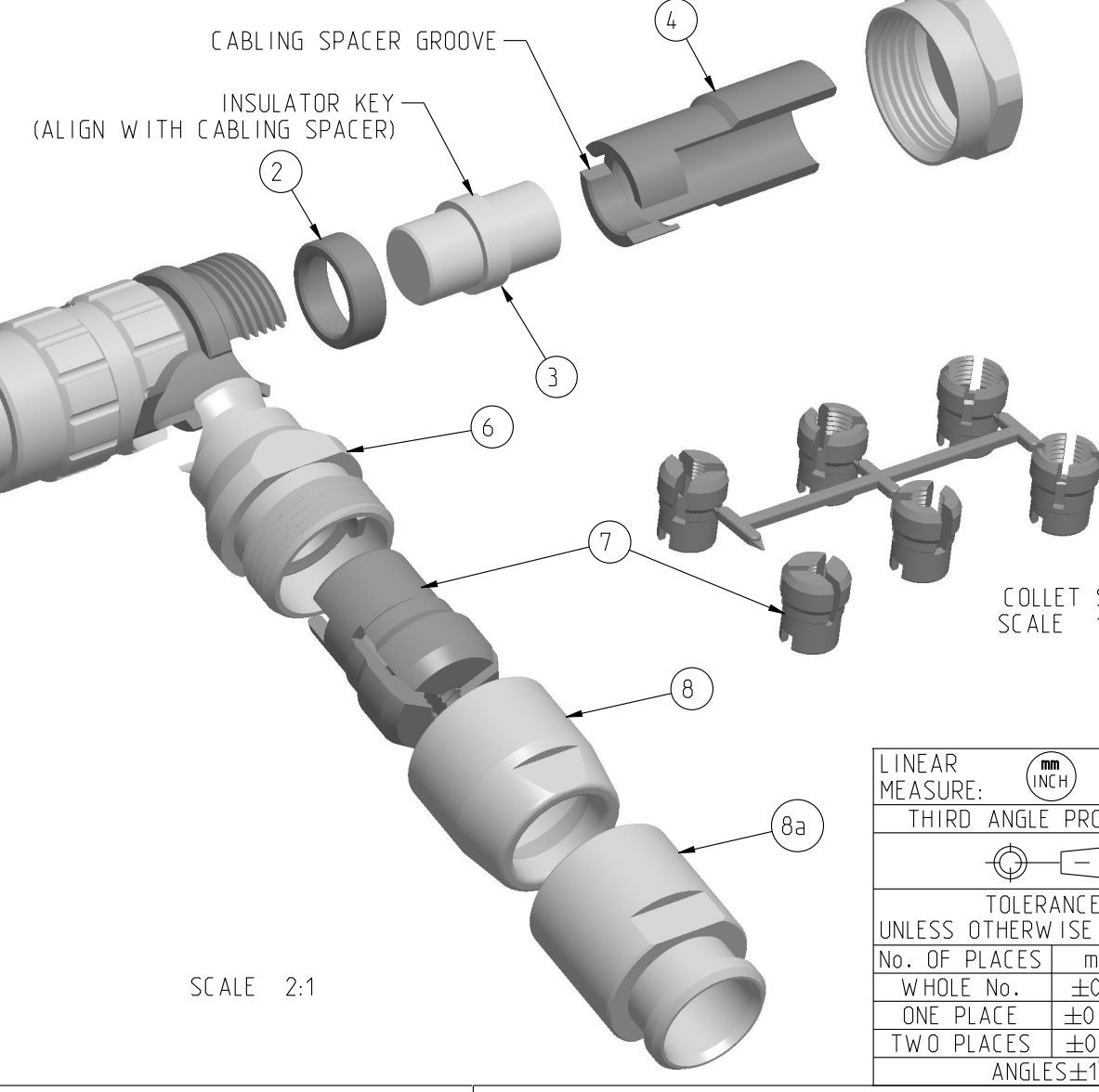
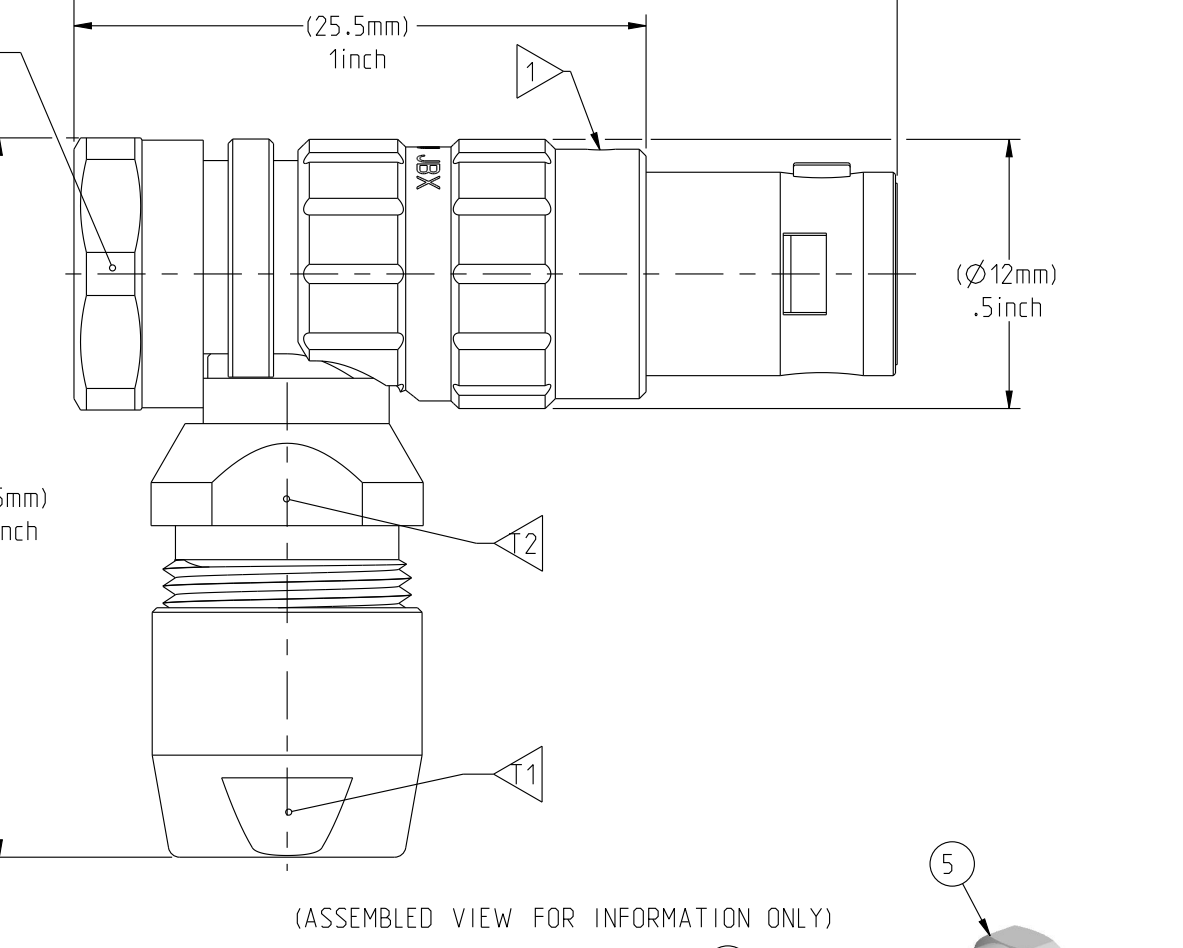
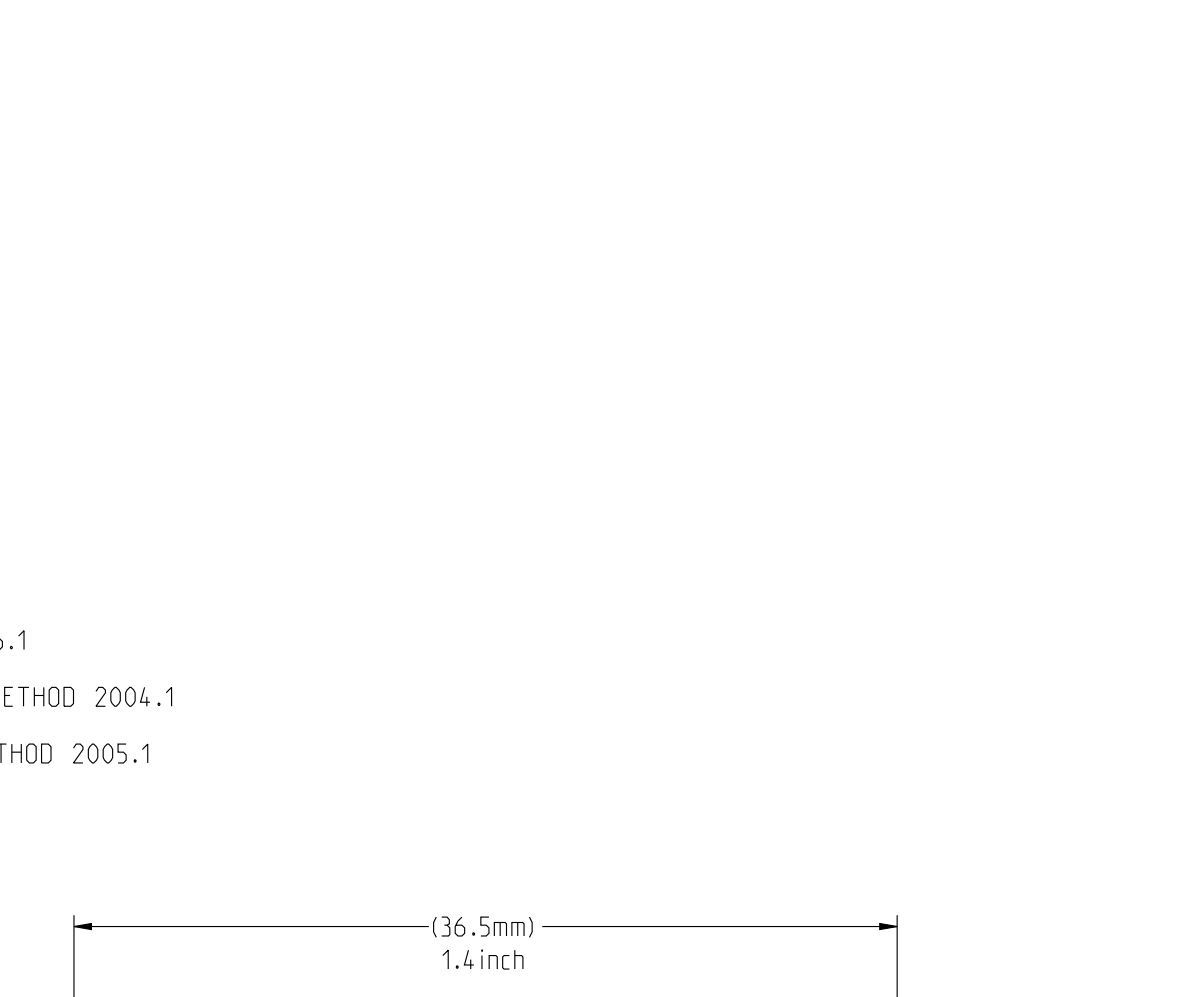
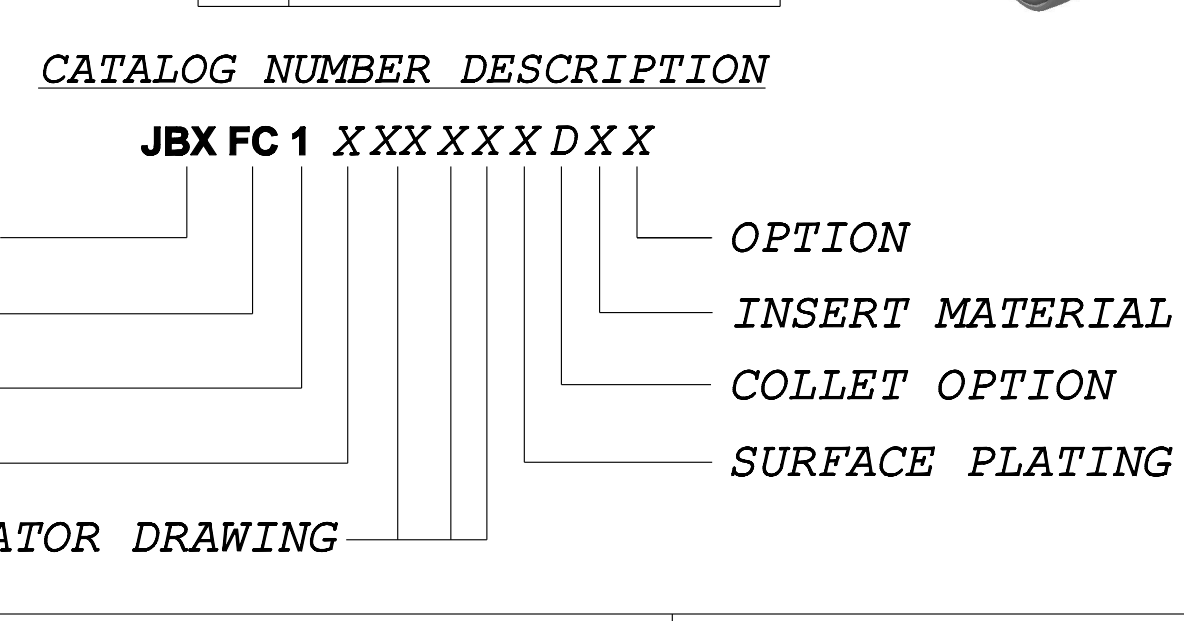
**2**

**1**

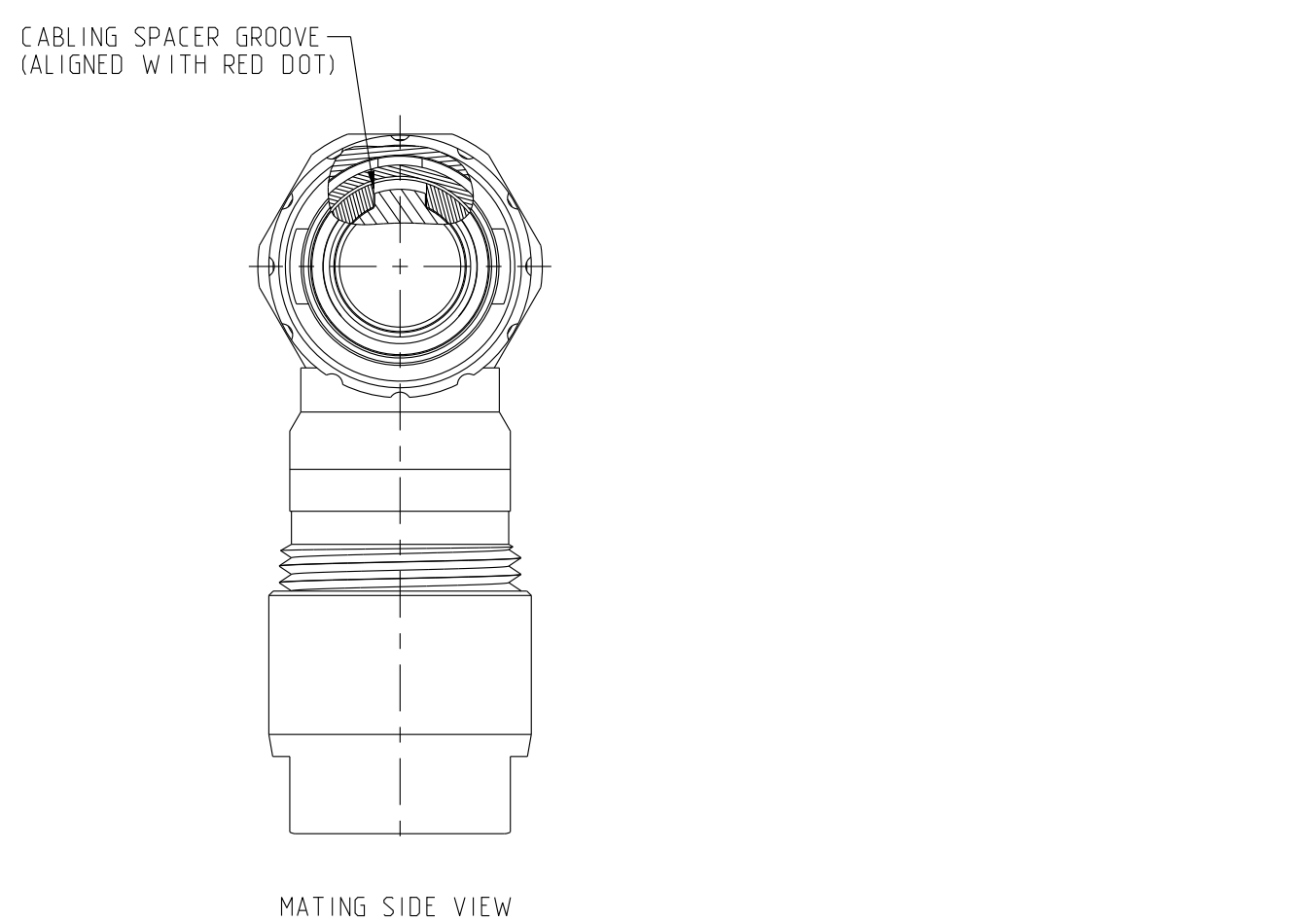
**ELECTRICAL:**  
 EMI SHIELDING : SHIELDED FOR THE RANGE 55dB UP TO 100MHZ  
 INSULATION RESISTANCE : >500MΩ PER ANSI-EIA-364-D METHOD 21  
 MAX. CURRENT RATING : SEE INSULATOR DRAWING  
 CONNECTOR TESTING VOLTAGE : SEE INSULATOR DRAWING  
 CONNECTOR WORKING VOLTAGE : SEE INSULATOR DRAWING  
**PHYSICAL:**  
 MAXIMUM WIRE SIZE USED : SEE INSULATOR DRAWING  
 CABLE DIAMETER WITH PLASTIC COLLET SET SUPPLIED: Ø2mm MIN. TO Ø7.5mm MAX.  
**ENVIRONMENTAL:**  
 ENDURANCE: 1000 CYCLES AS PER MIL-STD 1344A, METHOD 2016.1  
 SHOCK: 50 g , DURATION 6 ms; AS PER MIL-STD 1344A, METHOD 2004.1  
 VIBRATIONS: 10 TO 2000Hz g = 15g, AS PER MIL-STD 1344A, METHOD 2005.1  
 PROTECTION INDEX: IP 40 AS PER CEI 529  
 ROHS COMPLIANT  
 SALT MIST : 48Hr PER SAE AS 1344 METHOD 1001.1 CEI 529  
**OPERATING TEMPERATURE:**  
 WITH PLASTIC COLLETS: -55°C TO +125°C (-67°F TO +257°F)  
 WITH OPTIONAL METALLIC COLLETS: -55°C TO +200°C (-67°F TO +392°F) (ONLY ON REQUEST)



PART LIST	
ITEM NO.	DESCRIPTION
1	SLEEVE
2	RETAINING RING
3	INSULATOR
4	CABLING SPACER
5	RETAINING NUT
6	ELBOW BACKSHELL
7	Ø2-Ø7.5 CABLE COLLET (CHOOSE PER CABLE SIZE)
8	STANDARD BACK NUT
8a	BACK NUT FOR PROTECTIVE BOOT (OPTIONAL)



**NOTES:**  
 1 ▷ RED DOT.  
**MATERIAL:**  
 OUTER SHELL & BACK NUT : } BRASS  
 LATCHING SLEEVE & SPACER : }  
 RETAINING NUT & BACKSHELL : }  
 COLLET : POLYAMIDE  
**FINISH:**  
 OUTER SHELL & BACKSHELL : CHROME  
 BACK NUT & RETAINING NUT :  
 OTHER BRASS PARTS : NICKEL  
 T ▷ TOOLS



	TOOLS (JAW DIMENSION)	ADVISED TORQUE IN Nm
T1	10	1
T2	10	-
T3	12	0.4 TO 0.5

REV	DESCRIPTION	SKV 06-10-15 BY DATE	EV 06-10-15 CHKD DATE
A	RELEASED PER ECN 12258		

**DRAWING TITLE**  
**JBX, SIZE 1, RIGHT ANGLE PLUG**

CAT NO. **JBXFC1**

CAGE NO: 09922 SIZE: C

**CUSTOMER**

**SOURIAU**  
 www.souriau.com

INTERPRET THIS DRAWING IN ACCORDANCE WITH ASME Y14.5M - 1994.

APPROVAL  
 DRAWN: SKV 01-08-15  
 CHKD: EV 01-08-15  
 DSGN: EV 01-08-15  
 MFG: DH 01-08-15  
 QC: BB 01-08-15  
 DRAWING SCALE: 3:1  
 DRAWING NO. REV  
**JBXFC1C** A

1 OF 1

THE INFORMATION CONTAINED IN THIS DRAWING IS CONFIDENTIAL AND MAY NOT BE DISCLOSED WITHOUT WRITTEN CONSENT FROM SOURIAU USA, INC.

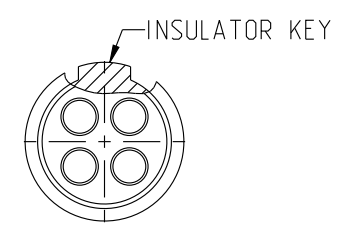
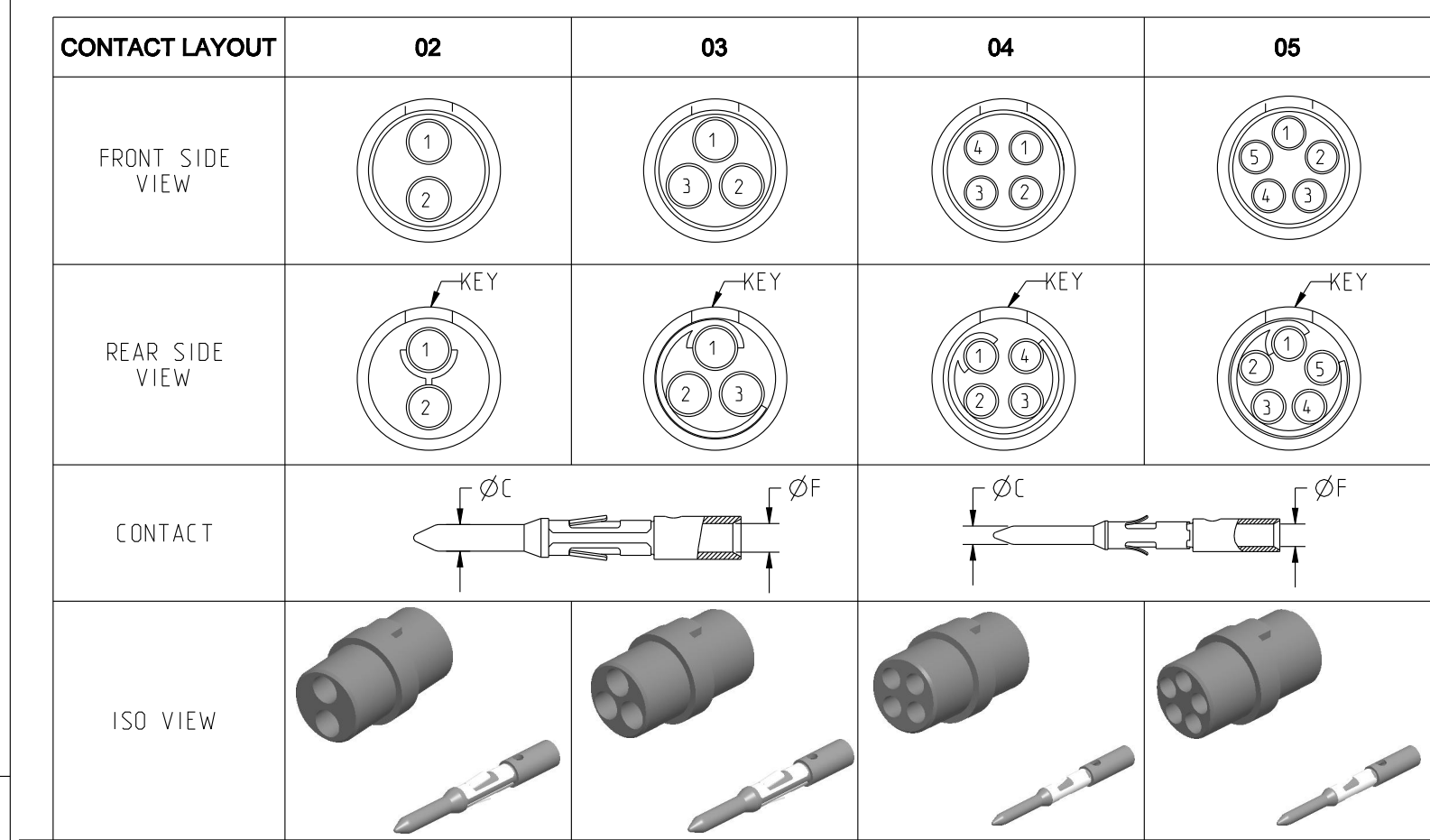
THIS DRAWING IS A CONTROLLED DOCUMENT FOR SOURIAU USA, INC. IT IS SUBJECT TO CHANGE WITHOUT NOTICE. CONTACT THE DOCUMENT CONTROL CENTER FOR THE LATEST REVISION.

THE INFORMATION CONTAINED IN THIS DRAWING IS CONFIDENTIAL AND MAY NOT BE DISCLOSED WITHOUT WRITTEN CONSENT FROM SOURIAU USA, INC.

2

1

DWG. NO. JBX11NSMCC **MALE INSULATOR, CRIMP CONTACT**

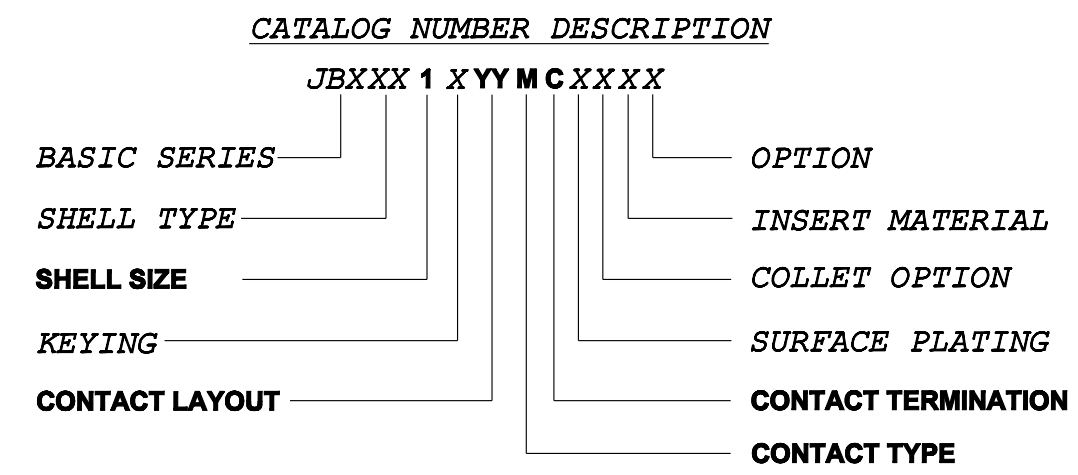


**CONTACT TYPE :** M (MALE)  
**CONTACT TERMINATION :** C (CRIMP)

**MATERIAL :**  
 CONTACT: BRASS  
 CLIP: COPPER ALLOY  
 INSULATOR: PEEK  
 FINISH: GOLD  
 CONTACTS: GOLD

B

	02	03	04	05
CONTACT				
INSULATOR				
ØC	1.3	1.3	0.9	0.9
ØF	1.4	1.4	1.1	1.1
MAX. AWG	18	18	20	20
MAX. CURRENT RATING (A)	15	15	10	10
CONTACT RESISTANCE (mΩ)	3	3	3.5	3.5
NUMBER OF CAVITY	2	3	4	5
MAX. CURRENT RATING	15	12	10	9
TEST VOLTAGE (Vrms)	1600	1300	1900	1400
WORKING VOLTAGE (Vdc/Vrms)	760/530	600/420	900/630	660/460



REV	DESCRIPTION	BY	DATE	CHKD	DATE
B	REVISED PER ECN 12286	RSK	06-10-15	EV	06-10-15
A	RELEASED PER ECN 12264	SKV	03-10-15	EV	03-10-15

A

DRAWING TITLE: **JBX, SIZE 1, MALE INSULATOR, CRIMP CONTACT**

CAT. NO. **JBX11NSMCC**

CAGE NO: 09922	SIZE: B	APPROVAL	DRAWN: SKV 02-02-15
<b>CUSTOMER</b>	<b>SOURIAU</b>	<b>WWW.SOURIAU.COM</b>	CHKD : EV 02-02-15
			DSGN : EV 02-02-15
			MFG : DH 02-02-15
			QC : BB 02-02-15
INTERPRET THIS DRAWING IN ACCORDANCE WITH ASME Y14.5M - 1994.		DRAWING SCALE: NA	DRAWING NO. REV
		JBX11NSMCC	B
		1 OF 2	

LINEAR MEASURE:  $\frac{mm}{INCH}$  mm (INCH)

THIRD ANGLE PROJECTION

TOLERANCES UNLESS OTHERWISE SPECIFIED

No. OF PLACES	mm [INCH]
ONE PLACE	±3 [±.1]
TWO PLACES	±0.5 [±.02]
THREE PLACES	±0.25 [±.010]
ANGLES ±1°	

2

1

PRO-E

THIS DRAWING IS A CONTROLLED DOCUMENT FOR SOURIAU USA, INC. IT IS SUBJECT TO CHANGE WITHOUT NOTICE. CONTACT THE DOCUMENT CONTROL CENTER FOR THE LATEST REVISION.

THE INFORMATION CONTAINED IN THIS DRAWING IS CONFIDENTIAL AND MAY NOT BE DISCLOSED WITHOUT WRITTEN CONSENT FROM SOURIAU USA, INC.

2

1

DWG. NO. JBX11NSMCC				
<b>CONTACT LAYOUT</b>	<b>06</b>	<b>07</b>	<b>08</b>	
FRONT SIDE VIEW				
REAR SIDE VIEW				
CONTACT				
ISO VIEW				
CONTACT	ØC	0.7	0.7	0.7
	ØF	0.85	0.85	0.85
	MAX. AWG	22	22	22
	MAX. CURRENT RATING (A)	7	7	7
	CONTACT RESISTANCE (mΩ)	5	5	5
INSULATOR	NUMBER OF CAVITY	6	7	8
	MAX. CURRENT RATING	7	7	5
	TEST VOLTAGE (Vrms)	1400	1400	1200
	WORKING VOLTAGE (Vdc/Vrms)	660/460	660/460	600/420

B

A

LINEAR MEASURE:		mm (INCH)
THIRD ANGLE PROJECTION		
TOLERANCES UNLESS OTHERWISE SPECIFIED		
No. OF PLACES	mm [INCH]	
ONE PLACE	±3 [±.1]	
TWO PLACES	±0.5 [±.02]	
THREE PLACES	±0.25 [±.010]	
ANGLES ±1°		

DRAWING TITLE <b>JBX, SIZE 1, MALE INSULATOR, CRIMP CONTACT</b>			
CAT. NO. <b>JBX11NSMCC</b>			
CAGE NO: 09922	SIZE: B	APPROVAL	
<b>CUSTOMER</b>	<b>SOURIAU</b>	DRAWN: SKV 02-02-15	CHKD: EV 02-02-15
		DSGN: EV 02-02-15	MFG: DH 02-02-15
INTERPRET THIS DRAWING IN ACCORDANCE WITH ASME Y14.5M - 1994.		QC: BB 02-02-15	DRAWING SCALE: NA
<b>WWW.SOURIAU.COM</b>		DRAWING NO. JBX11NSMCC	REV B
		2 OF 2	

2

1

PRO-E

## X-ON Electronics

Largest Supplier of Electrical and Electronic Components

*Click to view similar products for [Circular Push Pull Connectors](#) category:*

*Click to view products by [Sunbank](#) manufacturer:*

Other Similar products are found below :

[6407-249V-11273P](#) [6408-201V-13273](#) [6408-202V-13343](#) [6408-202V-17343](#) [EZG.0B.309.CLN](#) [FFA.2S.310.ZLA](#) [FGA.1B.307.CYCD72Z](#)  
[FGJ.1B.304.CLLD76](#) [FGJ.1B.306.CWLD72](#) [FGJ.3B.304.CYMD10Z](#) [FGJ.3B.304.CYMD82Z](#) [FHG.1B.303.CYCZ](#) [PCS.01.250.DLLE24](#)  
[PHG.0K.305.CYMC40Z](#) [PHG.1K.308.CLLK85](#) [PKG.M0.6BL.LZ](#) [PLC.M1.0SL.LA](#) [GMA.10.290.DN](#) [GMA.3B.090.DA](#)  
[PRG.M0.6GL.LC52GZ](#) [PSA.1S.275.CTLC66](#) [ABF.1S.250.NTA](#) [133020F](#) [1331ER193MZ](#) [1332M107MZ](#) [DTS26Z19-32JA-LC](#) [DTS26Z19-](#)  
[32SA](#) [DTS26Z19-32SA-LC](#) [EAJ.1B.306.CWA](#) [ECG.XB.312.CLL](#) [1589430-2](#) [EEA.0B.305.CLN](#) [EEA.0B.309.CLL](#) [ELF.00.250.NTL](#)  
[BRR.2S.200.PZVG](#) [HR10A-P](#) [CAH.M34.SLL.C72GZ](#) [CAJ.M34.SLL.C72GZ](#) [300500](#) [EXG.0B.309.HLN](#) [FFB.1S.250.CLAC27](#)  
[FGA.2B.306.CYCD92](#) [FGA.2B.306.CYCD92Z](#) [FGJ.3B.308.CLLD72Z](#) [FHG.1B.303.CYCD62](#) [FLC.00.250.CTAC27](#) [FLC.00.250.CTAC31](#)  
[PCS.01.250.DLLE31](#) [PKA.M1.0TL.LG](#) [PKC.M0.7GL.NG](#)