

THIS DRAWING IS A CONTROLLED DOCUMENT FOR SOURIAU USA, INC. IT IS SUBJECT TO CHANGE WITHOUT NOTIFICATION. CONTACT THE DOCUMENT CONTROL CENTER FOR THE LATEST REVISION.

 THE INFORMATION CONTAINED IN THIS DRAWING IS CONFIDENTIAL AND MAY NOT BE DISCLOSED WITHOUT WRITTEN CONSENT FROM SOURIAU USA, INC.

JBXFDIC

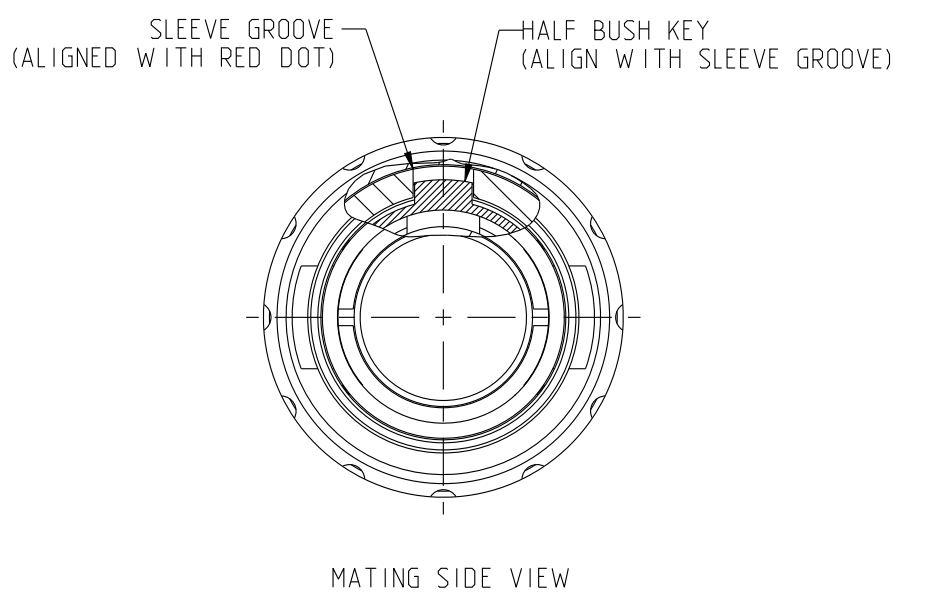
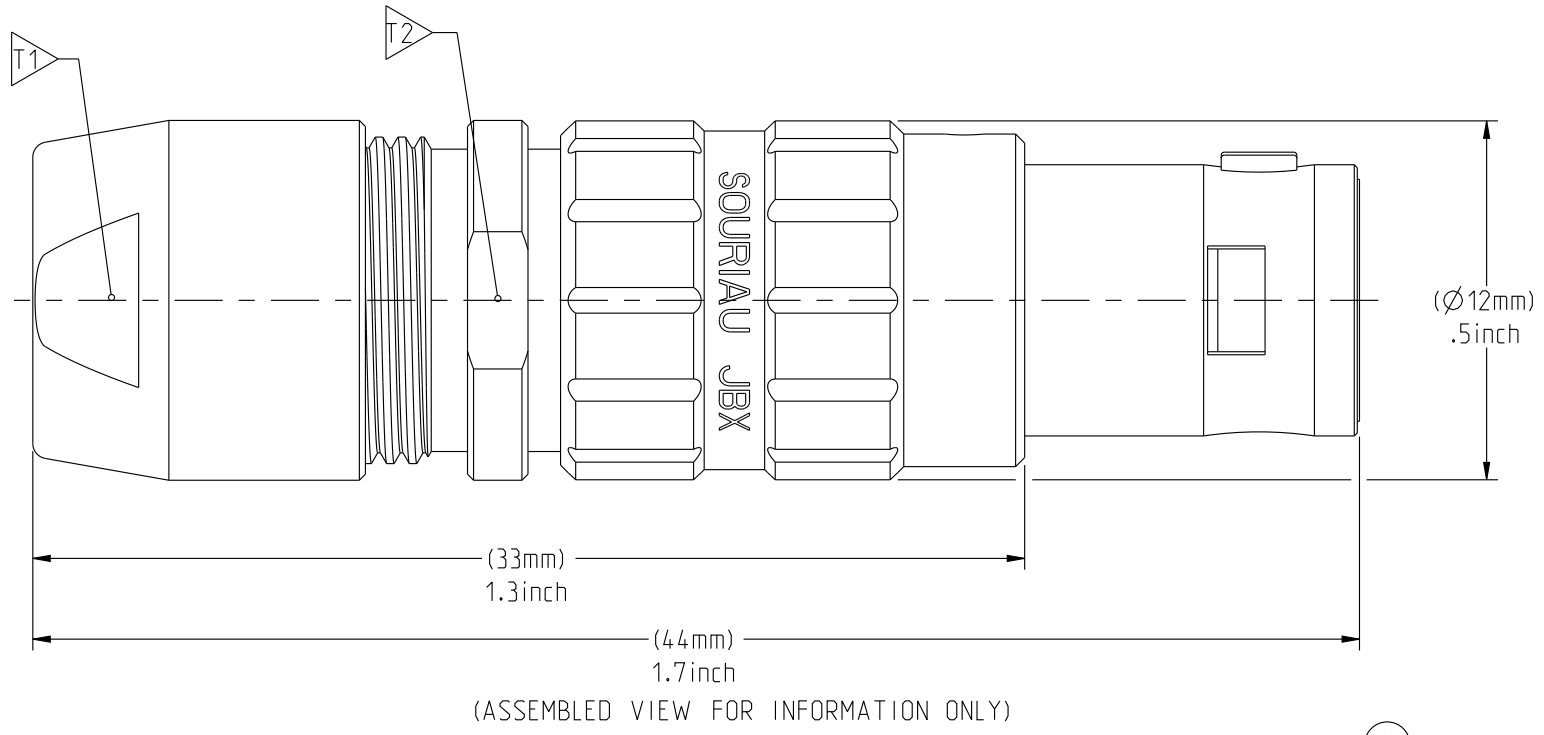
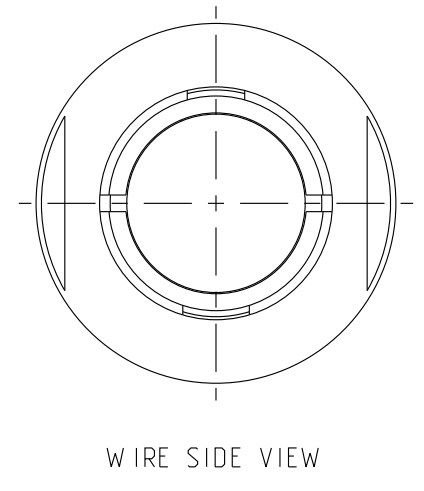
MASS (g)	VOLUME (mm ³)
14.6	2584

ELECTRICAL:
 EMI SHIELDING : SHIELDED FOR THE RANGE 55dB UP TO 100MHZ
 INSULATION RESISTANCE : >500MΩ PER ANSI-EIA-364-D METHOD 21
 MAX. CURRENT RATING : SEE INSULATOR DRAWING
 CONNECTOR TESTING VOLTAGE : SEE INSULATOR DRAWING
 CONNECTOR WORKING VOLTAGE : SEE INSULATOR DRAWING

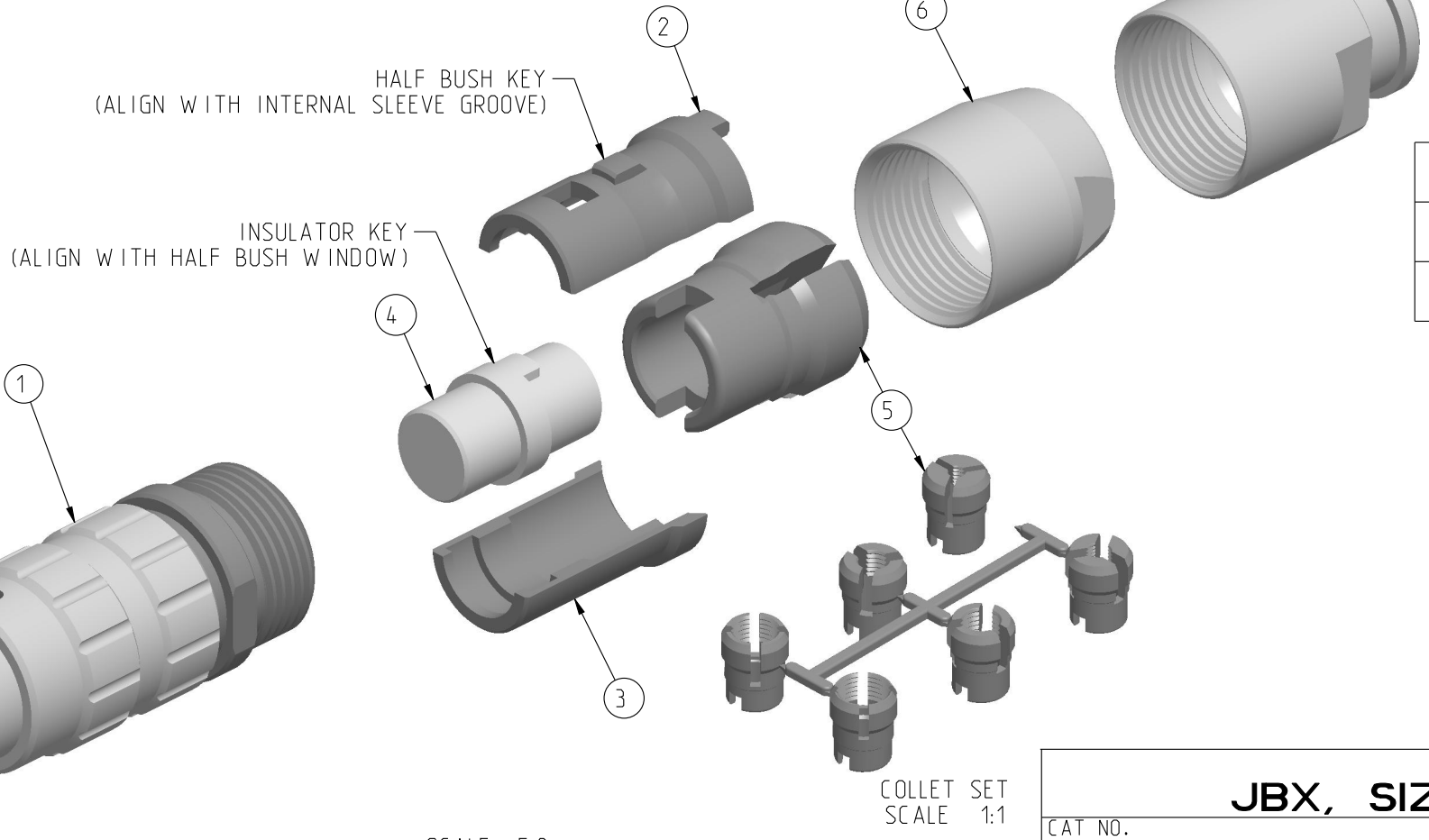
PHYSICAL:
 MAXIMUM WIRE SIZE USED : SEE INSULATOR DRAWING
 CABLE DIAMETER WITH PLASTIC COLLET SET SUPPLIED: Ø2.0 mm MIN. TO Ø7.5mm MAX.

ENVIRONMENTAL:
 ENDURANCE: 1000 CYCLES AS PER MIL-STD 1344A, METHOD 2016.1
 SHOCK: 50 g , DURATION 6 ms; AS PER MIL-STD 1344A, METHOD 2004.1
 VIBRATIONS: 10 TO 2000Hz g = 15g, AS PER MIL-STD 1344A, METHOD 2005.1
 PROTECTION INDEX: IP 40 AS PER CEI 529
 ROHS COMPLIANT
 SALT MIST : 48Hr PER SAE AS 1344 METHOD 1001.1 CEI 529
 OPERATING TEMPERATURE:
 WITH PLASTIC COLLETS: -55°C TO +125°C (-67°F TO +257°F)
 WITH OPTIONAL METALLIC COLLETS: -55°C TO +200°C (-67°F TO +392°F) (ONLY ON REQUEST)

NOTES:
 1 ▷ RED DOT.
MATERIAL:
 OUTER SHELL & BACK NUT : } BRASS
 LATCHING SLEEVE : }
 HALF BUSHES : }
 COLLET : POLYAMIDE
FINISH:
 OUTER SHELL & BACK NUT : CHROME
 OTHER BRASS PARTS : NICKEL
 T ▷ TOOLS

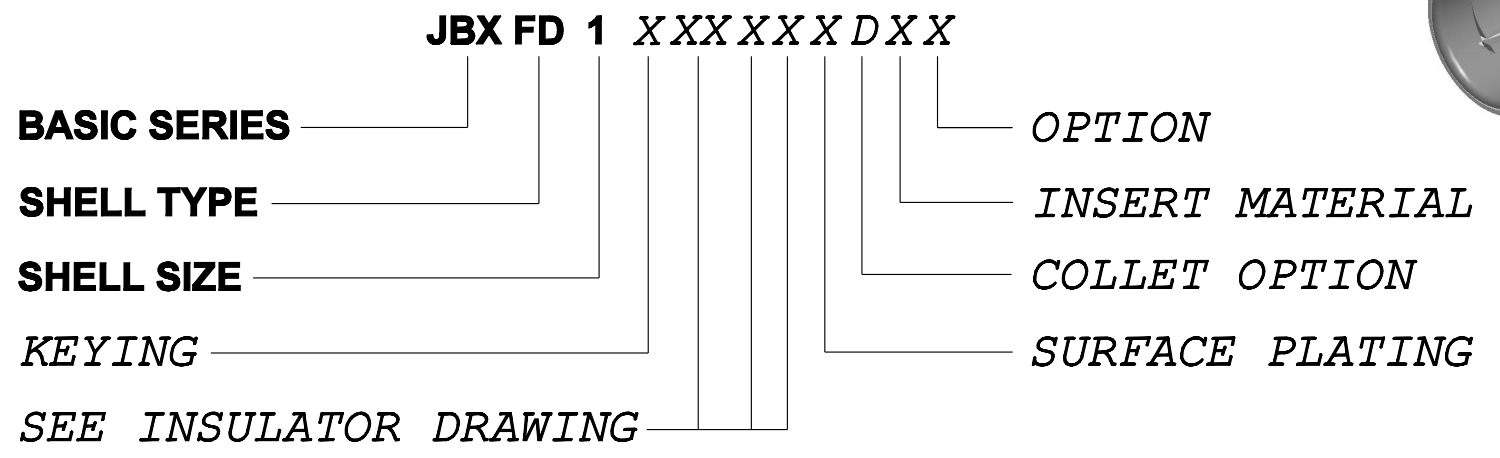


PART LIST	
ITEM NO.	DESCRIPTION
1	SLEEVE
2	HALFBUSH WITH WINDOW
3	HALFBUSH WITHOUT WINDOW
4	INSULATOR
5	Ø2.0-Ø7.5 CABLE COLLET (CHOOSE PER CABLE SIZE)
6	STANDARD BACK NUT
6a	BACK NUT FOR PROTECTIVE BOOT (OPTIONAL)



	TOOLS (JAW DIMENSION)	ADVISED TORQUE IN Nm
T1	10	1
T2	11	-

CATALOG NUMBER DESCRIPTION



LINEAR MEASURE:	mm (INCH)
THIRD ANGLE PROJECTION	
TOLERANCES UNLESS OTHERWISE SPECIFIED	
No. OF PLACES	mm [INCH]
WHOLE No.	±0.5 [±.02]
ONE PLACE	±0.2 [±.008]
TWO PLACES	±0.1 [±.004]
ANGLES ±1°	

DRAWING TITLE
JBX, SIZE 1, STRAIGHT PLUG

CAT NO. **JBXFD1**

CAGE NO: 09922 SIZE: C

CUSTOMER

SOURIAU
 www.souriau.com

APPROVAL
 DRAWN: TJS 01-07-15
 CHKD: EV 01-07-15
 DSGN: EV 01-07-15
 MFG: DH 01-07-15
 QC: BB 01-07-15
 DRAWING SCALE: 4:1
 DRAWING NO. **JBXFDIC** REV **A**

1 OF 1

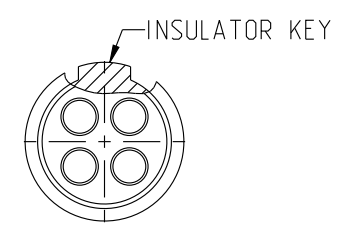
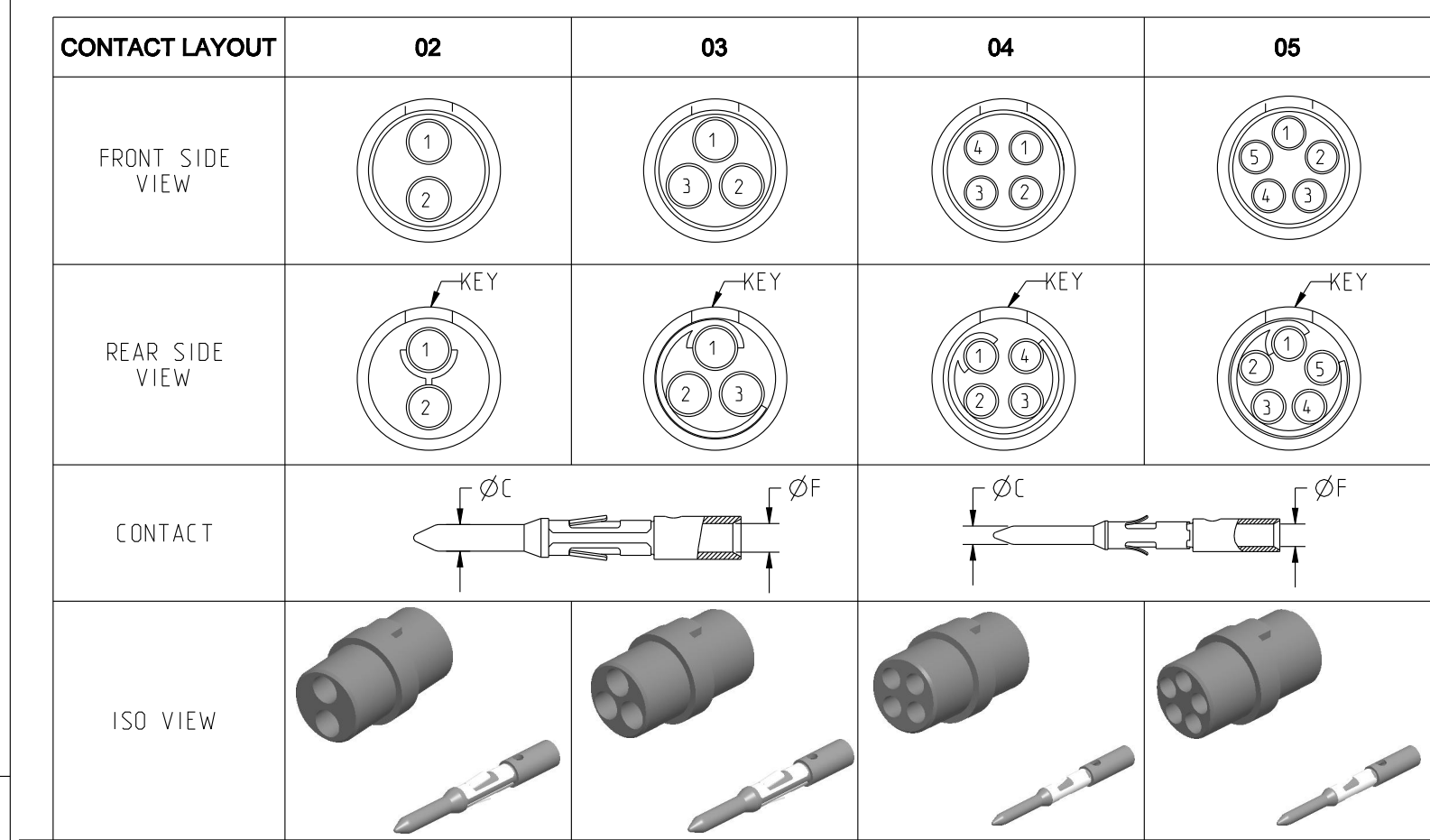
THIS DRAWING IS A CONTROLLED DOCUMENT FOR SOURIAU USA, INC. IT IS SUBJECT TO CHANGE WITHOUT NOTICE. CONTACT THE DOCUMENT CONTROL CENTER FOR THE LATEST REVISION.

THE INFORMATION CONTAINED IN THIS DRAWING IS CONFIDENTIAL AND MAY NOT BE DISCLOSED WITHOUT WRITTEN CONSENT FROM SOURIAU USA, INC.

2

1

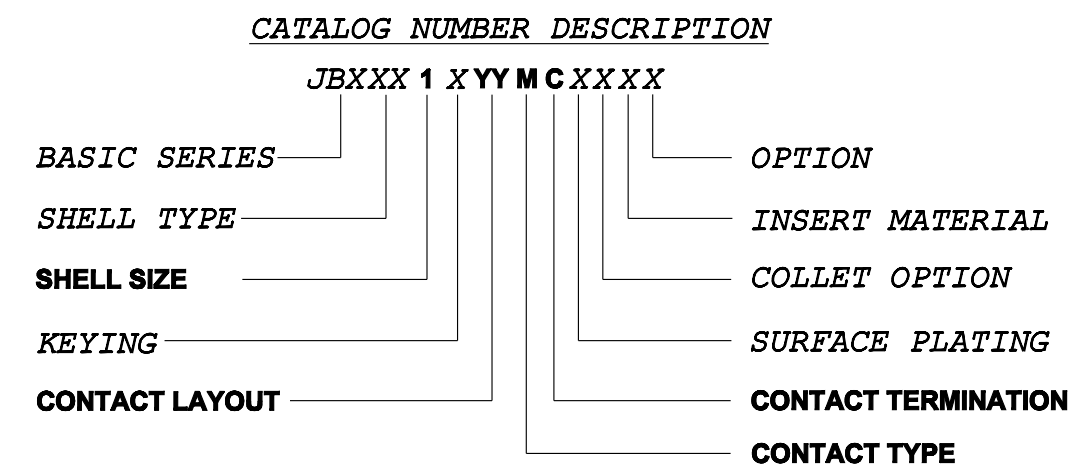
DWG. NO. JBX11NSMCC **MALE INSULATOR, CRIMP CONTACT**



CONTACT TYPE : M (MALE)
CONTACT TERMINATION : C (CRIMP)

MATERIAL :
 CONTACT: BRASS
 CLIP: COPPER ALLOY
 INSULATOR: PEEK
 FINISH: GOLD
 CONTACTS: GOLD

	02	03	04	05
CONTACT RESISTANCE (mΩ)	3	3	3.5	3.5
NUMBER OF CAVITY	2	3	4	5
MAX. CURRENT RATING (A)	15	12	10	9
TEST VOLTAGE (Vrms)	1600	1300	1900	1400
WORKING VOLTAGE (Vdc/Vrms)	760/530	600/420	900/630	660/460



REV	DESCRIPTION	BY DATE	CHKD DATE
B	REVISED PER ECN 12286	RSK 06-10-15	EV 06-10-15
A	RELEASED PER ECN 12264	SKV 03-10-15	EV 03-10-15

DRAWING TITLE: **JBX, SIZE 1, MALE INSULATOR, CRIMP CONTACT**

CAT. NO. **JBX11NSMCC**

CAGE NO: 09922	SIZE: B	APPROVAL	DRAWN: SKV 02-02-15
CUSTOMER	SOURIAU	WWW.SOURIAU.COM	CHKD : EV 02-02-15
			DSGN : EV 02-02-15
			MFG : DH 02-02-15
			QC : BB 02-02-15
			DRAWING SCALE: NA
			DRAWING NO. REV
			JBX11NSMCC B
			1 OF 2

LINEAR MEASURE: $\frac{mm}{INCH}$ mm (INCH)

THIRD ANGLE PROJECTION

TOLERANCES UNLESS OTHERWISE SPECIFIED

No. OF PLACES	mm [INCH]
ONE PLACE	±3 [±.1]
TWO PLACES	±0.5 [±.02]
THREE PLACES	±0.25 [±.010]
ANGLES ±1°	

INTERPRET THIS DRAWING IN ACCORDANCE WITH ASME Y14.5M - 1994.

B

A

2

1

PRO-E

THIS DRAWING IS A CONTROLLED DOCUMENT FOR SOURIAU USA, INC. IT IS SUBJECT TO CHANGE WITHOUT NOTICE. CONTACT THE DOCUMENT CONTROL CENTER FOR THE LATEST REVISION.

THE INFORMATION CONTAINED IN THIS DRAWING IS CONFIDENTIAL AND MAY NOT BE DISCLOSED WITHOUT WRITTEN CONSENT FROM SOURIAU USA, INC.

2

1

DWG. NO. JBX11NSMCC				
CONTACT LAYOUT	06	07	08	
FRONT SIDE VIEW				
REAR SIDE VIEW				
CONTACT				
ISO VIEW				
CONTACT	ØC	0.7	0.7	0.7
	ØF	0.85	0.85	0.85
	MAX. AWG	22	22	22
	MAX. CURRENT RATING (A)	7	7	7
INSULATOR	CONTACT RESISTANCE (mΩ)	5	5	5
	NUMBER OF CAVITY	6	7	8
	MAX. CURRENT RATING	7	7	5
	TEST VOLTAGE (Vrms)	1400	1400	1200
	WORKING VOLTAGE (Vdc/Vrms)	660/460	660/460	600/420

B

A

LINEAR MEASURE:		mm (INCH)
THIRD ANGLE PROJECTION		
TOLERANCES UNLESS OTHERWISE SPECIFIED		
No. OF PLACES	mm [INCH]	
ONE PLACE	±3 [±.1]	
TWO PLACES	±0.5 [±.02]	
THREE PLACES	±0.25 [±.010]	
ANGLES ±1°		

DRAWING TITLE JBX, SIZE 1, MALE INSULATOR, CRIMP CONTACT																												
CAT. NO. JBX11NSMC																												
CAGE NO: 09922	SIZE: B																											
CUSTOMER	SOURIAU																											
INTERPRET THIS DRAWING IN ACCORDANCE WITH ASME Y14.5M - 1994.																												
WWW.SOURIAU.COM																												
APPROVAL	<table border="1"> <tr> <td>DRAWN:</td> <td>SKV</td> <td>02-02-15</td> </tr> <tr> <td>CHKD :</td> <td>EV</td> <td>02-02-15</td> </tr> <tr> <td>DSGN :</td> <td>EV</td> <td>02-02-15</td> </tr> <tr> <td>MFG :</td> <td>DH</td> <td>02-02-15</td> </tr> <tr> <td>QC :</td> <td>BB</td> <td>02-02-15</td> </tr> <tr> <td colspan="3">DRAWING SCALE: NA</td> </tr> <tr> <td colspan="3">DRAWING NO. REV</td> </tr> <tr> <td colspan="2">JBX11NSMCC</td> <td>B</td> </tr> <tr> <td colspan="3">2 OF 2</td> </tr> </table>	DRAWN:	SKV	02-02-15	CHKD :	EV	02-02-15	DSGN :	EV	02-02-15	MFG :	DH	02-02-15	QC :	BB	02-02-15	DRAWING SCALE: NA			DRAWING NO. REV			JBX11NSMCC		B	2 OF 2		
DRAWN:	SKV	02-02-15																										
CHKD :	EV	02-02-15																										
DSGN :	EV	02-02-15																										
MFG :	DH	02-02-15																										
QC :	BB	02-02-15																										
DRAWING SCALE: NA																												
DRAWING NO. REV																												
JBX11NSMCC		B																										
2 OF 2																												

2

1

PRO-E

X-ON Electronics

Largest Supplier of Electrical and Electronic Components

Click to view similar products for [Circular Push Pull Connectors](#) category:

Click to view products by [Sunbank](#) manufacturer:

Other Similar products are found below :

[6407-249V-11273P](#) [6408-201V-13273](#) [6408-202V-13343](#) [6408-202V-17343](#) [EZG.0B.309.CLN](#) [FFA.2S.310.ZLA](#) [FGA.1B.307.CYCD72Z](#)
[FGJ.1B.304.CLLD76](#) [FGJ.1B.306.CWLD72](#) [FGJ.3B.304.CYMD82Z](#) [FHG.1B.303.CY CZ](#) [PCS.01.250.DLLE24](#) [PHG.0K.305.CYMC40Z](#)
[PHG.1K.308.CLLK85](#) [PHG.2K.310.CYMC60Z](#) [PHG.2K.310.CYMC85Z](#) [PKG.M0.6BL.LZ](#) [PLC.M1.0SL.LA](#) [GMA.10.290.DN](#)
[GMA.3B.090.DA](#) [PRG.M0.6GL.LC52GZ](#) [PSA.1S.275.CTLC66](#) [ABF.1S.250.NTA](#) [D38999/26ZF11PA-LC](#) [133020F](#) [1331ER193MZ](#)
[1332M107MZ](#) [DTS26Z19-32JA-LC](#) [DTS26Z19-32SA](#) [DTS26Z19-32SA-LC](#) [EAJ.1B.306.CWA](#) [ECG.XB.312.CLL](#) [1589430-2](#)
[ELF.00.250.NTL](#) [BRR.2S.200.PZVG](#) [HR10A-P](#) [CAH.M34.SLL.C72GZ](#) [CAJ.M34.SLL.C72GZ](#) [300500](#) [EXG.0B.309.HLN](#)
[FFB.1S.250.CLAC27](#) [FGA.2B.306.CYCD92](#) [FGA.2B.306.CYCD92Z](#) [FGJ.3B.308.CLLD72Z](#) [FHG.1B.303.CYCD62](#) [FLC.00.250.CTAC27](#)
[FLC.00.250.CTAC31](#) [PCS.01.250.DLLE31](#) [PKA.M1.0TL.LG](#) [PKC.M0.7GL.NG](#)