

THIS DRAWING IS A CONTROLLED DOCUMENT FOR SOURIAU USA, INC. IT IS SUBJECT TO CHANGE WITHOUT NOTIFICATION. CONTACT THE DOCUMENT CONTROL CENTER FOR THE LATEST REVISION.

DWG. NO. **JBXFD3C**

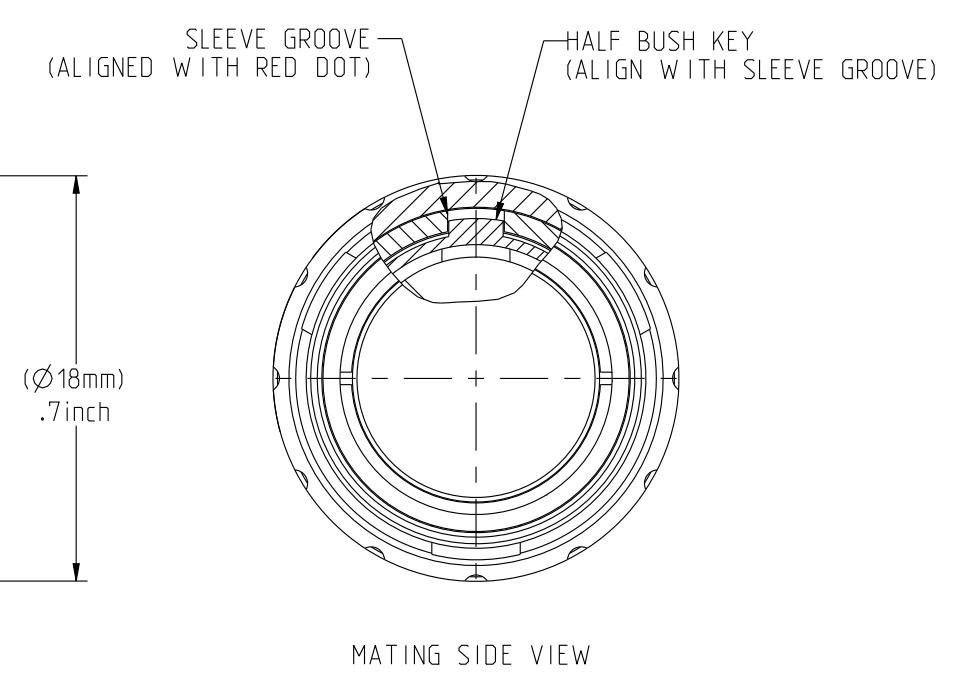
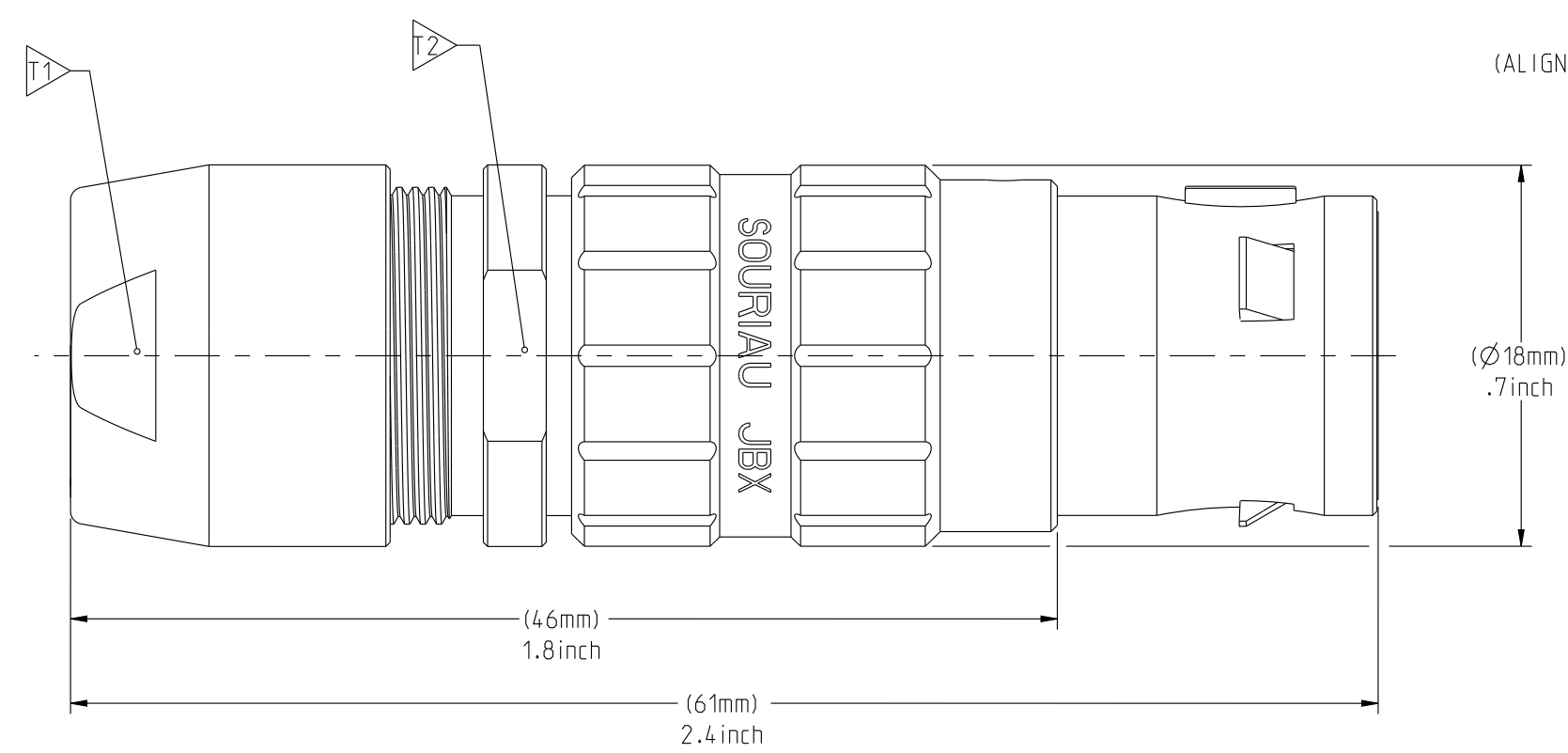
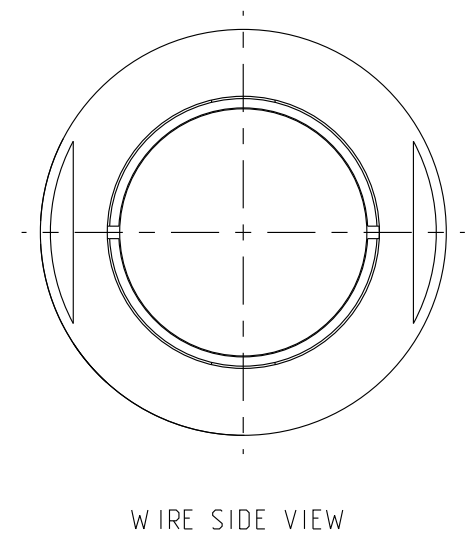
ELECTRICAL:
 EMI SHIELDING : SHIELDED FOR THE RANGE 55dB UP TO 100MHZ
 INSULATION RESISTANCE : >500MΩ PER ANSI-EIA-364-D METHOD 21
 MAX. CURRENT RATING : SEE INSULATOR DRAWING
 CONNECTOR TESTING VOLTAGE : SEE INSULATOR DRAWING
 CONNECTOR WORKING VOLTAGE : SEE INSULATOR DRAWING

PHYSICAL:
 MAXIMUM WIRE SIZE USED : SEE INSULATOR DRAWING
 CABLE DIAMETER WITH PLASTIC COLLET SET SUPPLIED: Ø4.9mm MIN. TO Ø12mm MAX.

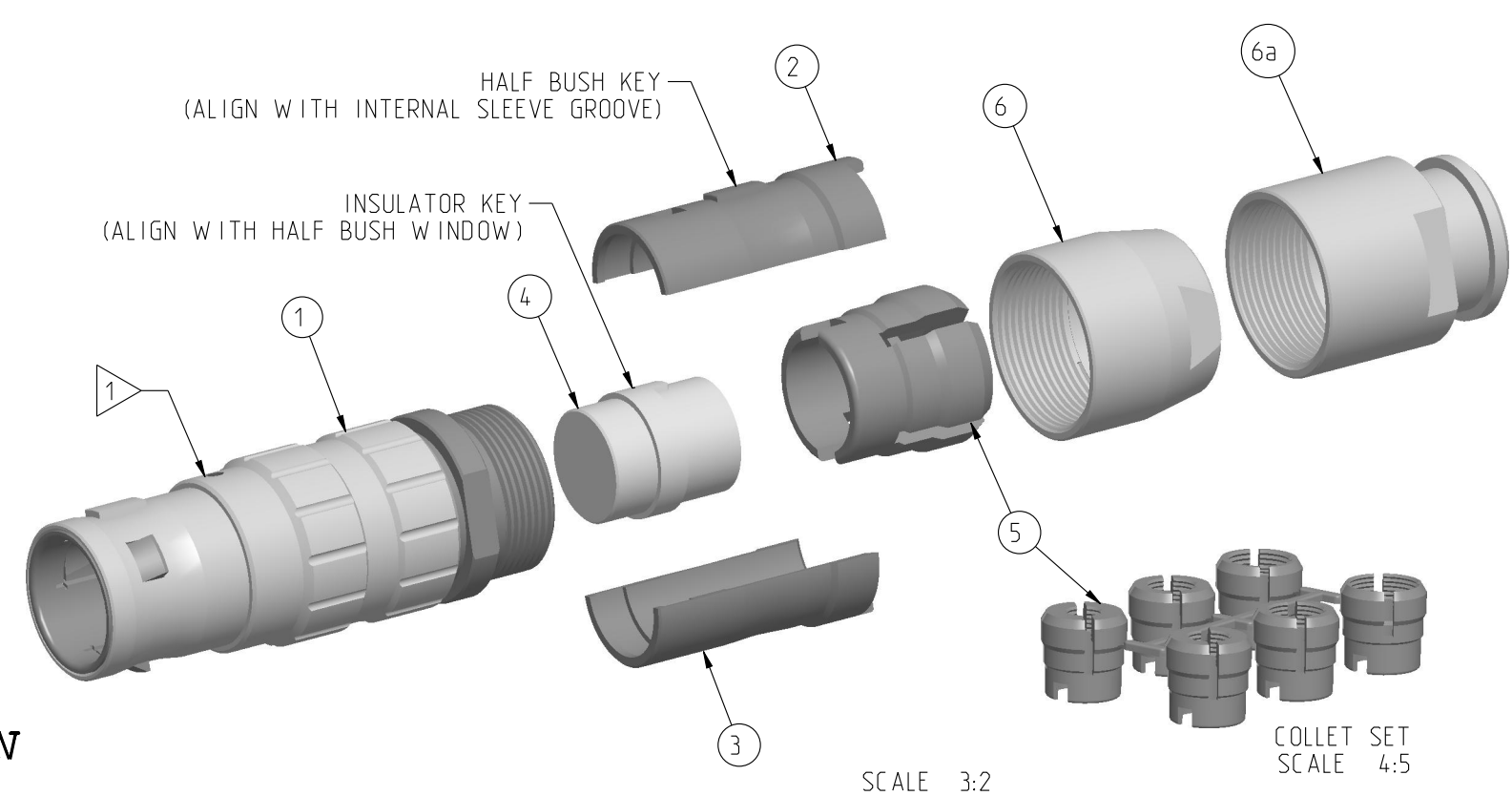
ENVIRONMENTAL:
 ENDURANCE: 1000 CYCLES AS PER MIL-STD 1344A, METHOD 2016.1
 SHOCK: 50 g , DURATION 6 ms; AS PER MIL-STD 1344A, METHOD 2004.1
 VIBRATIONS: 10 TO 2000Hz g = 15g, AS PER MIL-STD 1344A, METHOD 2005.1
 PROTECTION INDEX: IP 40 AS PER CEI 529
 ROHS COMPLIANT
 SALT MIST : 48Hr PER SAE AS 1344 METHOD 1001.1 CEI 529
 OPERATING TEMPERATURE:
 WITH PLASTIC COLLETS: -55°C TO +125°C (-67°F TO +257°F)
 WITH OPTIONAL METALLIC COLLETS: -55°C TO +200°C (-67°F TO +392°F) (ONLY ON REQUEST)

MASS (g)	VOLUME (mm ³)
44.1	7250

NOTES:
 1 ▷ RED DOT.
MATERIAL:
 OUTER SHELL & BACK NUT : } BRASS
 LATCHING SLEEVE : }
 HALF BUSHES : }
 COLLET : POLYAMIDE
FINISH:
 OUTER SHELL & BACK NUT : CHROME
 OTHER BRASS PARTS : NICKEL
 T ▷ TOOLS



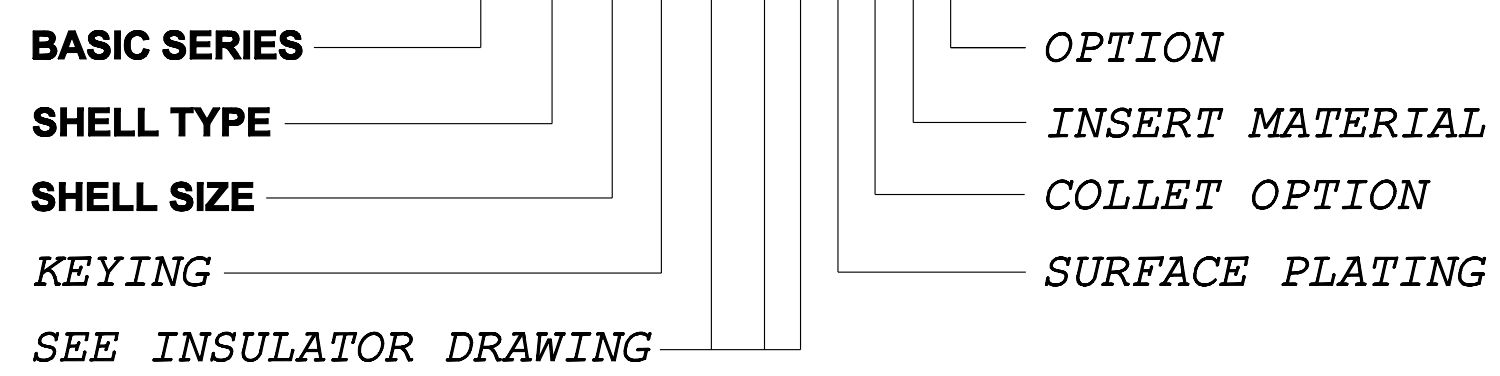
PART LIST	
ITEM NO.	DESCRIPTION
1	SLEEVE
2	HALFBUSH WITH WINDOW
3	HALFBUSH WITHOUT WINDOW
4	INSULATOR
5	Ø4.9-Ø12 CABLE COLLET (CHOOSE PER CABLE SIZE)
6	STANDARD BACK NUT
6a	BACK NUT FOR PROTECTIVE BOOT (OPTIONAL)



	TOOLS (JAW DIMENSION)	ADVISED TORQUE IN Nm
T1	15	2
T2	16	-

CATALOG NUMBER DESCRIPTION

JBX FD 3 XXXXXX D S X



DRAWING TITLE JBX, SIZE 3, STRAIGHT PLUG		APPROVAL	
CAT NO. JBXFD3		DRAWN: TJS 01-07-15	EV 01-07-15
CAGE NO: 09922	SIZE: C	CHKD : EV 01-07-15	01-07-15
CUSTOMER		DSGN : EV 01-07-15	01-07-15
		MFG : DH 01-07-15	01-07-15
INTERPRET THIS DRAWING IN ACCORDANCE WITH ASME Y14.5M - 1994.		QC : BB 01-07-15	01-07-15
		DRAWING SCALE: 3:1	
www.souriau.com		DRAWING NO. JBXFD3C	REV A
		1 OF 1	

THE INFORMATION CONTAINED IN THIS DRAWING IS CONFIDENTIAL AND MAY NOT BE DISCLOSED WITHOUT WRITTEN CONSENT FROM SOURIAU USA, INC.

THIS DRAWING IS A CONTROLLED DOCUMENT FOR SOURIAU USA, INC. IT IS SUBJECT TO CHANGE WITHOUT NOTICE. CONTACT THE DOCUMENT CONTROL CENTER FOR THE LATEST REVISION.

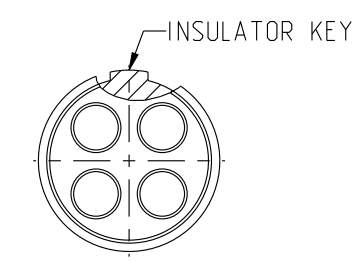
THE INFORMATION CONTAINED IN THIS DRAWING IS CONFIDENTIAL AND MAY NOT BE DISCLOSED WITHOUT WRITTEN CONSENT FROM SOURIAU USA, INC.

2

1

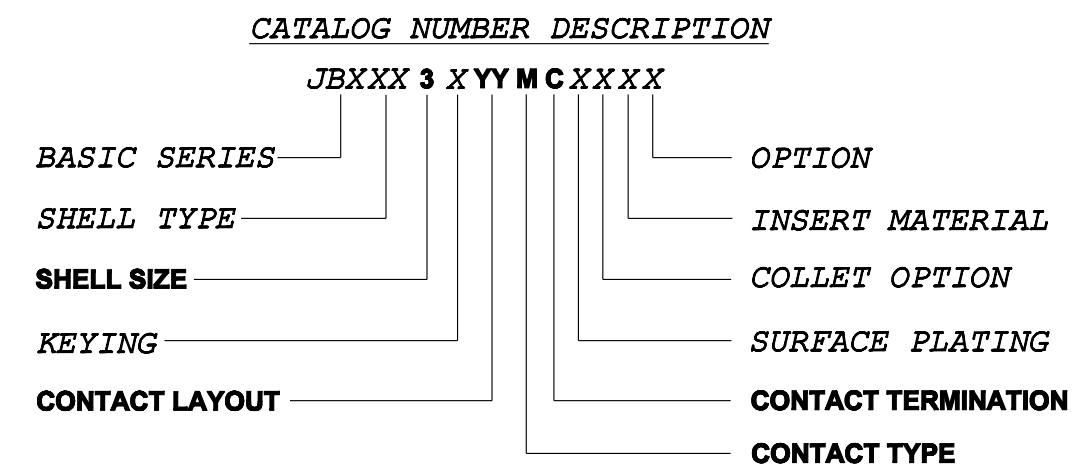
DWG. NO. JBX3INSMCC **MALE INSULATOR, CRIMP CONTACT**

CONTACT LAYOUT	03	04	07
FRONT SIDE VIEW			
REAR SIDE VIEW			
CONTACT			
ISO VIEW			
CONTACT	ØC: 2, ØF: 2.4, MAX. AWG: 12, MAX. CURRENT RATING (A): 30, CONTACT RESISTANCE (mΩ): 2.5	ØC: 2, ØF: 2.4, MAX. AWG: 12, MAX. CURRENT RATING (A): 30, CONTACT RESISTANCE (mΩ): 2.5	ØC: 1.6, ØF: 1.9, MAX. AWG: 14, MAX. CURRENT RATING (A): 17, CONTACT RESISTANCE (mΩ): 2.5
INSULATOR	NUMBER OF CAVITY: 3, MAX. CURRENT RATING: 25, TEST VOLTAGE (Vrms): 3600, WORKING VOLTAGE (Vdc/Vrms): 1600/1200	NUMBER OF CAVITY: 4, MAX. CURRENT RATING: 25, TEST VOLTAGE (Vrms): 2500, WORKING VOLTAGE (Vdc/Vrms): 1100/830	NUMBER OF CAVITY: 7, MAX. CURRENT RATING: 15, TEST VOLTAGE (Vrms): 2200, WORKING VOLTAGE (Vdc/Vrms): 1000/700



CONTACT TYPE : M (MALE)
CONTACT TERMINATION : C (CRIMP)

MATERIAL :
 CONTACT: BRASS
 CLIP: COPPER ALLOY
 INSULATOR: PEEK
 FINISH: GOLD
 CONTACTS: GOLD



B	REVISED PER ECN 12286	RSK 06-10-15	EV 06-10-15
A	RELEASED PER ECN 12264	SKV 03-10-15	EV 03-10-15
REV	DESCRIPTION	BY DATE	CHKD DATE

DRAWING TITLE: **JBX, SIZE 3, MALE INSULATOR, CRIMP CONTACT**
 CAT. NO.: **JBX3INSMC**

CAGE NO: 09922	SIZE: B	APPROVAL
CUSTOMER	SOURIAU	DRAWN: SKV 02-02-15
		CHKD: EV 02-02-15
INTERPRET THIS DRAWING IN ACCORDANCE WITH ASME Y14.5M - 1994.	WWW.SOURIAU.COM	DSGN: EV 02-02-15
		MFG: DH 02-02-15
		QC: BB 02-02-15
		DRAWING SCALE: NA
		DRAWING NO. REV
		JBX3INSMCC B
		1 OF 2

B

A

2

1

PRO-E

THIS DRAWING IS A CONTROLLED DOCUMENT FOR SOURIAU USA, INC. IT IS SUBJECT TO CHANGE WITHOUT NOTICE. CONTACT THE DOCUMENT CONTROL CENTER FOR THE LATEST REVISION.

THE INFORMATION CONTAINED IN THIS DRAWING IS CONFIDENTIAL AND MAY NOT BE DISCLOSED WITHOUT WRITTEN CONSENT FROM SOURIAU USA, INC.

DWG. NO.
JBX31NSMCC

		2			1		
	CONTACT LAYOUT	08	10	14	18	22	30
FRONT SIDE VIEW							
REAR SIDE VIEW							
CONTACT							
ISO VIEW							
CONTACT	$\varnothing C$	1.3	1.3	0.9	0.9	0.7	0.7
	$\varnothing F$	1.4	1.4	1.1	1.1	0.85	0.85
	MAX. AWG	18	18	20	20	22	22
	MAX. CURRENT RATING (A)	15	15	10	10	7	7
INSULATOR	CONTACT RESISTANCE ($m\Omega$)	3	3	3.5	3.5	5	5
	NUMBER OF CAVITY	8	10	14	18	22	30
	MAX. CURRENT RATING	12	12	9	7	5.5	3.5
	TEST VOLTAGE (V_{rms})	2000	1400	1700	1400	1200	800
	WORKING VOLTAGE (V_{dc}/V_{rms})	830/560	600/420	830/560	660/460	560/400	400/260

B

A

DRAWING TITLE
JBX, SIZE 3, MALE INSULATOR, CRIMP CONTACT
CAT. NO. **JBX31NSMC**

LINEAR MEASURE:		mm (INCH)
THIRD ANGLE PROJECTION		
TOLERANCES UNLESS OTHERWISE SPECIFIED		
No. OF PLACES	mm [INCH]	
ONE PLACE	± 3 [$\pm .1$]	
TWO PLACES	± 0.5 [$\pm .02$]	
THREE PLACES	± 0.25 [$\pm .010$]	
ANGLES $\pm 1^\circ$		

CAGE NO: 09922 SIZE: B

CUSTOMER

INTERPRET THIS DRAWING IN ACCORDANCE WITH ASME Y14.5M - 1994.

SOURIAU

WWW.SOURIAU.COM

APPROVAL	DRAWN: SKV	02-02-15
	CHKD : EV	02-02-15
	DSGN : EV	02-02-15
	MFG : DH	02-02-15
	QC : BB	02-02-15
DRAWING SCALE: NA		
DRAWING NO. REV		
JBX31NSMCC		B
2 OF 2		

2

1

PRO-E

X-ON Electronics

Largest Supplier of Electrical and Electronic Components

Click to view similar products for [Circular Push Pull Connectors](#) category:

Click to view products by [Sunbank](#) manufacturer:

Other Similar products are found below :

[6407-249V-11273P](#) [6408-201V-13273](#) [6408-202V-13343](#) [6408-202V-17343](#) [EZG.0B.309.CLN](#) [FFA.2S.310.ZLA](#) [FGJ.1B.304.CLLD76](#)
[FGJ.1B.306.CWLD72](#) [FGJ.3B.304.CYMD10Z](#) [FGJ.3B.304.CYMD82Z](#) [FHG.1B.303.CYCZ](#) [PCS.01.250.DLLE24](#) [PHG.0K.305.CYMC40Z](#)
[PHG.1K.308.CLLK85](#) [PKG.M0.6BL.LZ](#) [PLC.M1.0SL.LA](#) [GMA.10.290.DN](#) [GMA.3B.090.DA](#) [PRG.M0.6GL.LC52GZ](#) [PSA.1S.275.CTLC66](#)
[ABF.1S.250.NTA](#) [133020F](#) [1331ER193MZ](#) [1332M107MZ](#) [DTS26Z19-32JA-LC](#) [DTS26Z19-32SA](#) [DTS26Z19-32SA-LC](#) [EAJ.1B.306.CWA](#)
[ECG.XB.312.CLL](#) [1589430-2](#) [EEA.0B.305.CLN](#) [EEA.0B.309.CLL](#) [ELF.00.250.NTL](#) [BRR.2S.200.PZVG](#) [HR10A-P](#) [CAH.M34.SLL.C72GZ](#)
[CAJ.M34.SLL.C72GZ](#) [300500](#) [ESB.00.303.NLL](#) [EXG.0B.309.HLN](#) [FFB.1S.250.CLAC27](#) [FGA.2B.306.CYCD92](#) [FGA.2B.306.CYCD92Z](#)
[FGJ.3B.308.CLLD72Z](#) [FHG.1B.303.CYCD62](#) [FLC.00.250.CTAC27](#) [FLC.00.250.CTAC31](#) [PCS.01.250.DLLE31](#) [PKA.M1.0TL.LG](#)
[PKC.M0.7GL.NG](#)