

THIS DRAWING IS A CONTROLLED DOCUMENT FOR SOURIAU USA, INC. IT IS SUBJECT TO CHANGE WITHOUT NOTIFICATION. CONTACT THE DOCUMENT CONTROL CENTER FOR THE LATEST REVISION.

C

B

A

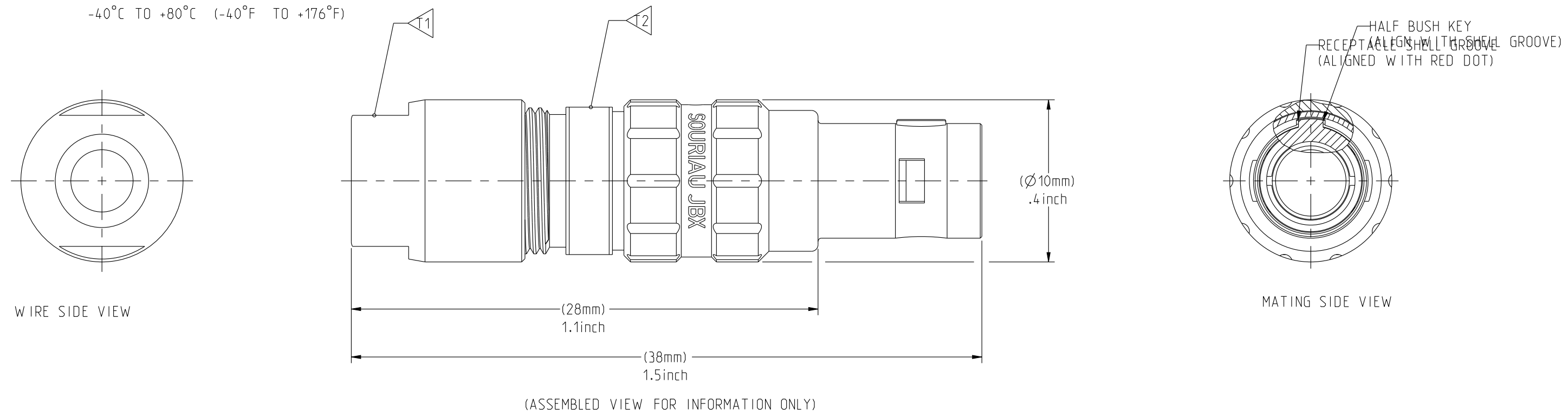
PRO-E

DWG. NO. **JBXFHOC**

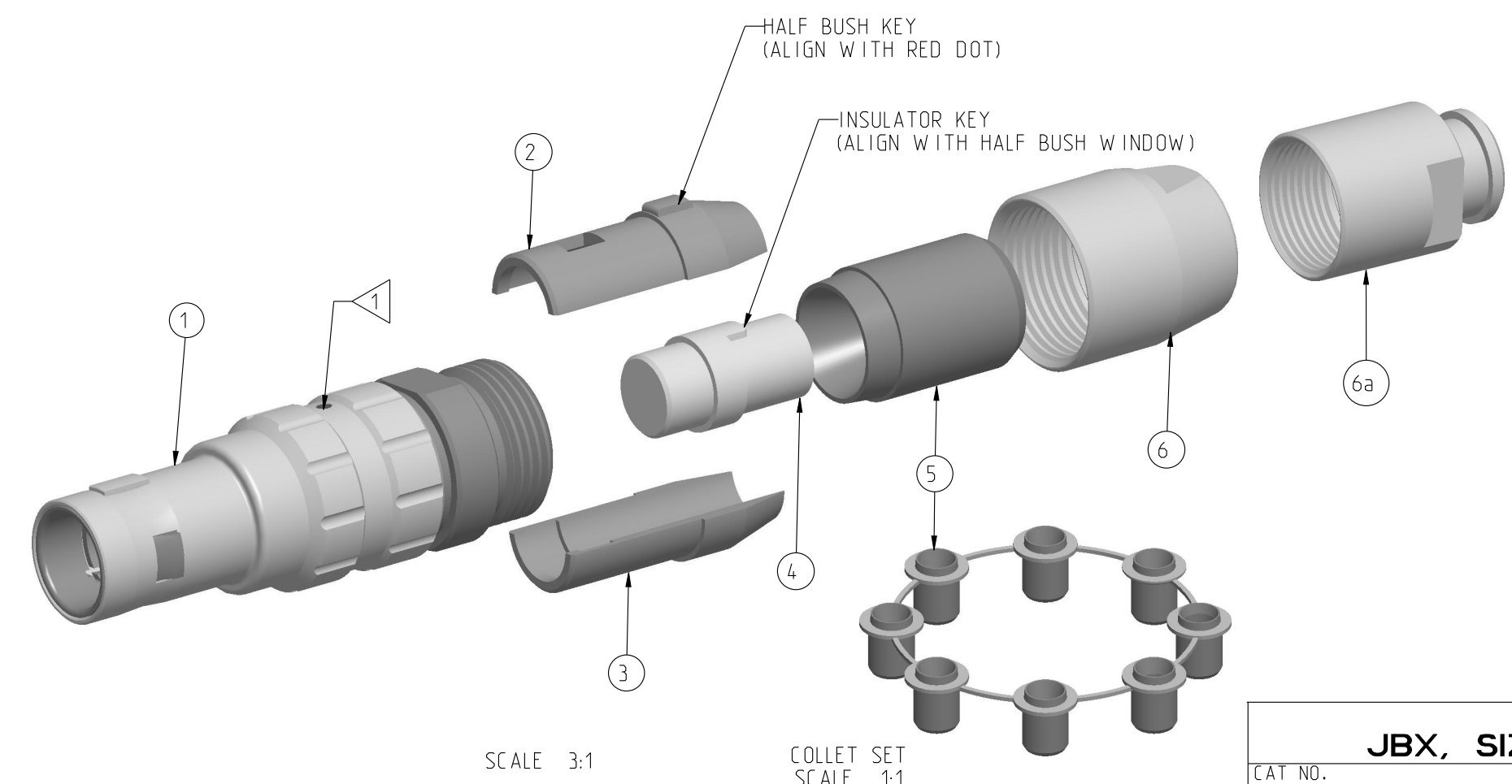
ELECTRICAL:
 EMI SHIELDING : SHIELDED FOR THE RANGE 55dB UP TO 100MHZ
 INSULATION RESISTANCE : >500MΩ PER ANSI-EIA-364-D METHOD 21
 MAX. CURRENT RATING : SEE INSULATOR DRAWING
 CONNECTOR TESTING VOLTAGE : SEE INSULATOR DRAWING
 CONNECTOR WORKING VOLTAGE : SEE INSULATOR DRAWING
PHYSICAL:
 MAXIMUM WIRE SIZE USED : SEE INSULATOR DRAWING
 CABLE DIAMETER WITH PLASTIC COLLET SET SUPPLIED: Ø1.5mm MIN. TO Ø5.5mm MAX.
ENVIRONMENTAL:
 ENDURANCE: 1000 CYCLES AS PER MIL-STD 1344A, METHOD 2016.1
 SHOCK: 50 g , DURATION 6 ms; AS PER MIL-STD 1344A, METHOD 2004.1
 VIBRATIONS: 10 TO 2000Hz g = 15g, AS PER MIL-STD 1344A, METHOD 2005.1
 PROTECTION INDEX: IP 67 AS PER CEI 529
 ROHS COMPLIANT
 SALT MIST : 48Hr PER SAE AS 1344 METHOD 1001.1 CEI 529
OPERATING TEMPERATURE:
 WITH PLASTIC COLLETS: -40°C TO +80°C (-40°F TO +176°F)

MASS (g)	VOLUME (mm ³)
9.1	1501

NOTES:
 1 RED DOT.
 MATERIAL:
 OUTER SHELL & BACK NUT : BRASS
 LATCHING SLEEVE
 HALF BUSHES :
 COLLET : RUBBER
 FINISH:
 OUTER SHELL & BACK NUT : CHROME
 OTHER BRASS PARTS : NICKEL
 T TOOLS



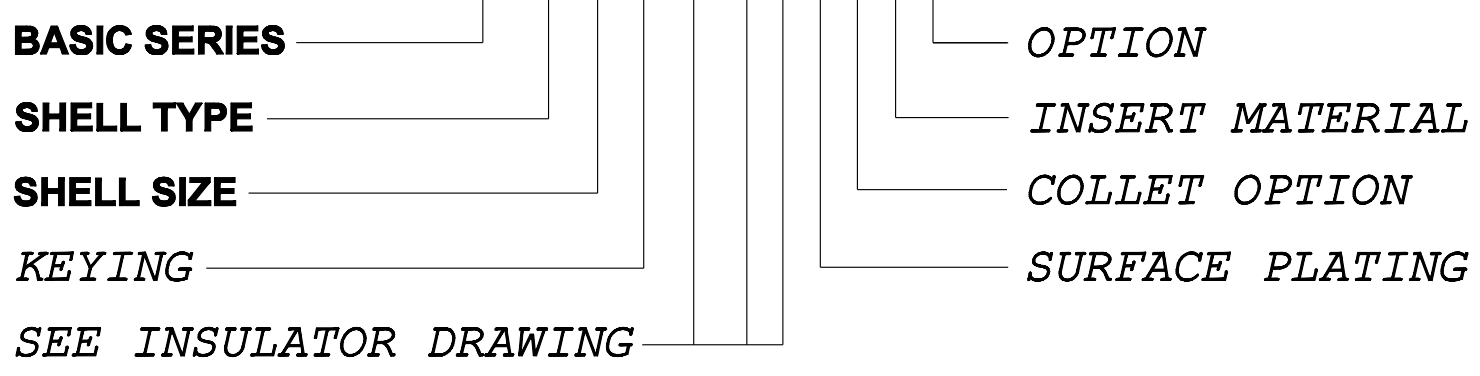
PART LIST	
ITEM NO.	DESCRIPTION
1	SLEEVE
2	HALF BUSH WITH WINDOW
3	HALF BUSH WITHOUT WINDOW
4	INSULATOR
5	Ø1.5-Ø5.5 CABLE COLLET (CHOOSE PER CABLE SIZE)
6	STANDARD BACK NUT
6a	BACK NUT FOR PROTECTIVE BOOT (OPTIONAL)



	TOOLS (JAW DIMENSION)	ADVISED TORQUE IN Nm
T1	8	0.8
T2	9	-

CATALOG NUMBER DESCRIPTION

JBX FH 0 XXXXXX DXX



DRAWING TITLE: **JBX, SIZE 0, SEALED STRAIGHT PLUG**

CAT NO. **JBXFHO**

CAGE NO: 09922 SIZE: C

CUSTOMER

SOURIAU
www.souriau.com

APPROVAL:
 DRAWN: SKV 01-08-15
 CHKD: EV 01-08-15
 DSGN: EV 01-08-15
 MFG: DH 01-08-15
 QC: BB 01-08-15
 DRAWING SCALE: 4:1
 DRAWING NO. REV
JBXFHOC A

INTERPRET THIS DRAWING IN ACCORDANCE WITH ASME Y14.5M - 1994.

1 OF 1

LINEAR MEASURE: mm (INCH)	
THIRD ANGLE PROJECTION	
TOLERANCES UNLESS OTHERWISE SPECIFIED	
No. OF PLACES	mm [INCH]
WHOLE No.	±0.5 [±.02]
ONE PLACE	±0.2 [±.008]
TWO PLACES	±0.1 [±.004]
ANGLES ±1°	

THIS DRAWING IS A CONTROLLED DOCUMENT FOR SOURIAU USA, INC. IT IS SUBJECT TO CHANGE WITHOUT NOTICE. CONTACT THE DOCUMENT CONTROL CENTER FOR THE LATEST REVISION.

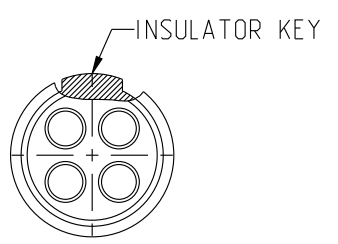
THE INFORMATION CONTAINED IN THIS DRAWING IS CONFIDENTIAL AND MAY NOT BE DISCLOSED WITHOUT WRITTEN CONSENT FROM SOURIAU USA, INC.

2

1

DWG. NO. JBX0INSMSC **MALE INSULATOR, SOLDER CONTACT**

CONTACT LAYOUT	02	03	04	05
FRONT SIDE VIEW				
REAR SIDE VIEW				
CONTACT				
ISO VIEW				
$\varnothing C$	0.9	0.9	0.7	0.7
$\varnothing F$	0.8	0.8	0.81	0.81
MAX. AWG	24	24	22	22
MAX. CURRENT RATING (A)	10	10	7	7
CONTACT RESISTANCE (m Ω)	3.5	3.5	5	5
NUMBER OF CAVITY	2	3	4	5
MAX. CURRENT RATING	10	8	7	6.5
TEST VOLTAGE (Vrms)	1400	1300	1350	800
WORKING VOLTAGE (Vdc/Vrms)	660/460	600/420	660/460	400/260

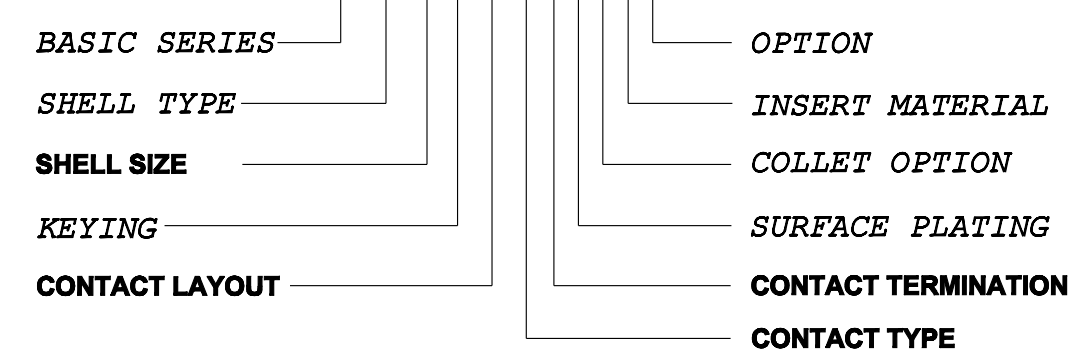


CONTACT TYPE : M (MALE)
CONTACT TERMINATION : S (SOLDER)

MATERIAL :
 CONTACT: BRASS
 CLIP: COPPER ALLOY
 INSULATOR: PEEK
 FINISH: GOLD
 CONTACTS: GOLD

CATALOG NUMBER DESCRIPTION

JBXXX 0 XYYMS XXXX



B	REVISED PER ECN 12286	RSK 06-10-15	EV 06-10-15
A	RELEASED PER ECN 12264	SKV 03-10-15	EV 03-10-15
REV	DESCRIPTION	BY DATE	CHKD DATE

DRAWING TITLE
JBX, SIZE O, MALE INSULATOR, SOLDER CONTACT

CAT NO. **JBX0INSMS**

CAGE NO: 09922	SIZE: B	APPROVAL	DRAWN: SKV 02-02-15
CUSTOMER	SOURIAU	WWW.SOURIAU.COM	CHKD : EV 02-02-15
			DSGN : EV 02-02-15
			MFG : DH 02-02-15
			QC : BB 02-02-15
			DRAWING SCALE: NA
		DRAWING NO.	REV
		JBX0INSMSC	B
		1 OF 2	

LINEAR MEASURE: $\frac{mm}{INCH}$ mm (INCH)	
THIRD ANGLE PROJECTION	
TOLERANCES UNLESS OTHERWISE SPECIFIED	
No. OF PLACES	mm [INCH]
ONE PLACE	± 3 [$\pm .1$]
TWO PLACES	± 0.5 [$\pm .02$]
THREE PLACES	± 0.25 [$\pm .010$]
ANGLES $\pm 1^\circ$	

INTERPRET THIS DRAWING IN ACCORDANCE WITH ASME Y14.5M - 1994.

B

A

2

1

PRO-E

THIS DRAWING IS A CONTROLLED DOCUMENT FOR SOURIAU USA, INC. IT IS SUBJECT TO CHANGE WITHOUT NOTICE. CONTACT THE DOCUMENT CONTROL CENTER FOR THE LATEST REVISION.

THE INFORMATION CONTAINED IN THIS DRAWING IS CONFIDENTIAL AND MAY NOT BE DISCLOSED WITHOUT WRITTEN CONSENT FROM SOURIAU USA, INC.

2

1

DWG. NO. JBX0INSMSC				
CONTACT LAYOUT	06	07	08	
FRONT SIDE VIEW				
REAR SIDE VIEW				
CONTACT				
ISO VIEW				
	ØC	0.5	0.5	0.5
	ØF	0.5	0.5	0.5
	MAX. AWG	28	28	28
	MAX. CURRENT RATING (A)	5	5	5
	CONTACT RESISTANCE (mΩ)	10	10	10
	NUMBER OF CAVITY	6	7	8
	MAX. CURRENT RATING	2.5	2.5	2
	TEST VOLTAGE (Vrms)	680	680	680
	WORKING VOLTAGE (Vdc/Vrms)	320/220	320/220	190/130

CONTACT

INSULATOR

B

A

DRAWING TITLE
JBX, SIZE O, MALE INSULATOR, SOLDER CONTACT

CAT NO. **JBX0INSMS**

CAGE NO: 09922 SIZE: B

CUSTOMER

INTERPRET THIS DRAWING IN ACCORDANCE WITH ASME Y14.5M - 1994.

SOURIAU

WWW.SOURIAU.COM

APPROVAL	DRAWN: SKV 02-02-15
	CHKD : EV 02-02-15
	DSGN : EV 02-02-15
	MFG : DH 02-02-15
QC : BB 02-02-15	
DRAWING SCALE: NA	
DRAWING NO. REV	
JBX0INSMSC	B
2 OF 2	

LINEAR MEASURE: mm (INCH)	
THIRD ANGLE PROJECTION	
TOLERANCES UNLESS OTHERWISE SPECIFIED	
No. OF PLACES	mm [INCH]
ONE PLACE	±3 [±.1]
TWO PLACES	±0.5 [±.02]
THREE PLACES	±0.25 [±.010]
ANGLES ±1°	

2

1

PRO-E

X-ON Electronics

Largest Supplier of Electrical and Electronic Components

Click to view similar products for [Circular Push Pull Connectors](#) category:

Click to view products by [Sunbank](#) manufacturer:

Other Similar products are found below :

[6407-249V-11273P](#) [6408-201V-13273](#) [6408-202V-13343](#) [6408-202V-17343](#) [EZG.0B.309.CLN](#) [FFA.2S.310.ZLA](#) [FGJ.1B.304.CLLD76](#)
[FGJ.1B.306.CWLD72](#) [FGJ.3B.304.CYMD10Z](#) [FGJ.3B.304.CYMD82Z](#) [FHG.1B.303.CY CZ](#) [PCS.01.250.DLLE24](#) [PHG.0K.305.CYMC40Z](#)
[PHG.1K.308.CLLK85](#) [PKG.M0.6BL.LZ](#) [PLC.M1.0SL.LA](#) [GMA.10.290.DN](#) [GMA.3B.090.DA](#) [PRG.M0.6GL.LC52GZ](#) [PSA.1S.275.CTLC66](#)
[ABF.1S.250.NTA](#) [133020F](#) [1331ER193MZ](#) [1332M107MZ](#) [DTS26Z19-32JA-LC](#) [DTS26Z19-32SA](#) [DTS26Z19-32SA-LC](#) [EAJ.1B.306.CWA](#)
[ECG.XB.312.CLL](#) [1589430-2](#) [EEA.0B.305.CLN](#) [EEA.0B.309.CLL](#) [ELF.00.250.NTL](#) [ERA.01.250.DLL](#) [BRR.2S.200.PZVG](#) [HR10A-P](#)
[CAH.M34.SLL.C72GZ](#) [CAJ.M34.SLL.C72GZ](#) [300500](#) [ESB.00.303.NLL](#) [EXG.0B.309.HLN](#) [FFB.1S.250.CLAC27](#) [FGA.2B.306.CYCD92](#)
[FGA.2B.306.CYCD92Z](#) [FGJ.3B.308.CLLD72Z](#) [FHG.1B.303.CYCD62](#) [FLC.00.250.CTAC27](#) [FLC.00.250.CTAC31](#) [PCS.01.250.DLLE31](#)
[PKA.M1.0TL.LG](#)