

THIS DRAWING IS A CONTROLLED DOCUMENT FOR SOURIAU USA, INC. IT IS SUBJECT TO CHANGE WITHOUT NOTIFICATION. CONTACT THE DOCUMENT CONTROL CENTER FOR THE LATEST REVISION.

DWG. NO. **JBXFH2C**

C

B

THE INFORMATION CONTAINED IN THIS DRAWING IS CONFIDENTIAL AND MAY NOT BE DISCLOSED WITHOUT WRITTEN CONSENT FROM SOURIAU USA, INC.

4

**ELECTRICAL:**

EMI SHIELDING : SHIELDED FOR THE RANGE 55dB UP TO 100MHZ

INSULATION RESISTANCE : >500MΩ PER ANSI-EIA-364-D METHOD 21

MAX. CURRENT RATING : SEE INSULATOR DRAWING

CONNECTOR TESTING VOLTAGE : SEE INSULATOR DRAWING

CONNECTOR WORKING VOLTAGE : SEE INSULATOR DRAWING

**PHYSICAL:**

MAXIMUM WIRE SIZE USED : SEE INSULATOR DRAWING

CABLE DIAMETER WITH PLASTIC COLLET SET SUPPLIED: Ø3.5mm MIN. TO Ø9.7mm MAX.

**ENVIRONMENTAL:**

ENDURANCE: 1000 CYCLES AS PER MIL-STD 1344A, METHOD 2016.1

SHOCK: 50 g , DURATION 6 ms; AS PER MIL-STD 1344A, METHOD 2004.1

VIBRATIONS: 10 TO 2000Hz g = 15g, AS PER MIL-STD 1344A, METHOD 2005.1

PROTECTION INDEX: IP 67 AS PER CEI 529

ROHS COMPLIANT

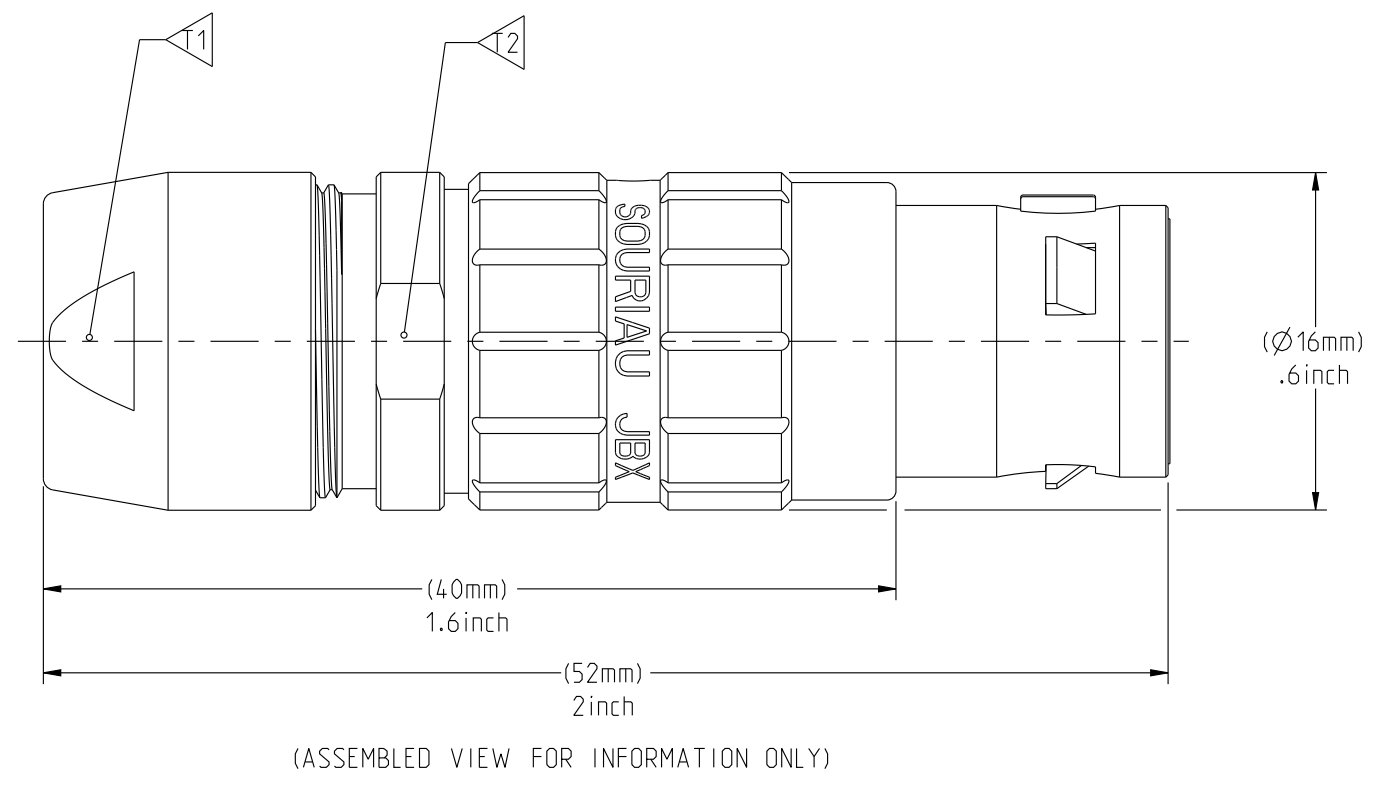
SALT MIST : 48Hr PER SAE AS 1344 METHOD 1001.1 CEI 529

**OPERATING TEMPERATURE:**

WITH PLASTIC COLLETS: -40°C TO +80°C (-40°F TO +176°F)

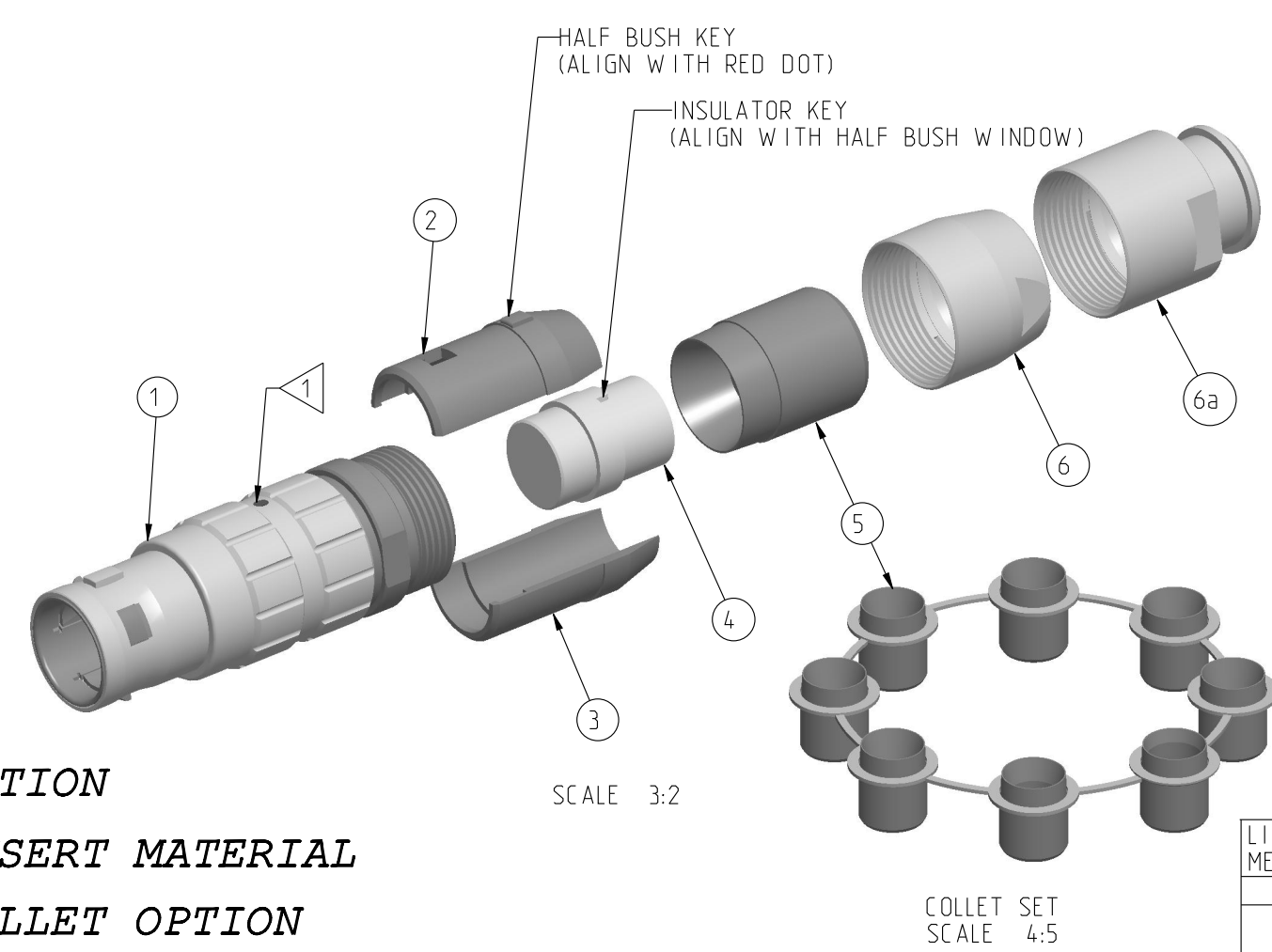
4

3



3

2



2

1

NOTES:

1 ▷ RED DOT.

MATERIAL:

OUTER SHELL & BACK NUT : } BRASS

LATCHING SLEEVE }  
 HALF BUSHES : } RUBBER

COLLET : RUBBER

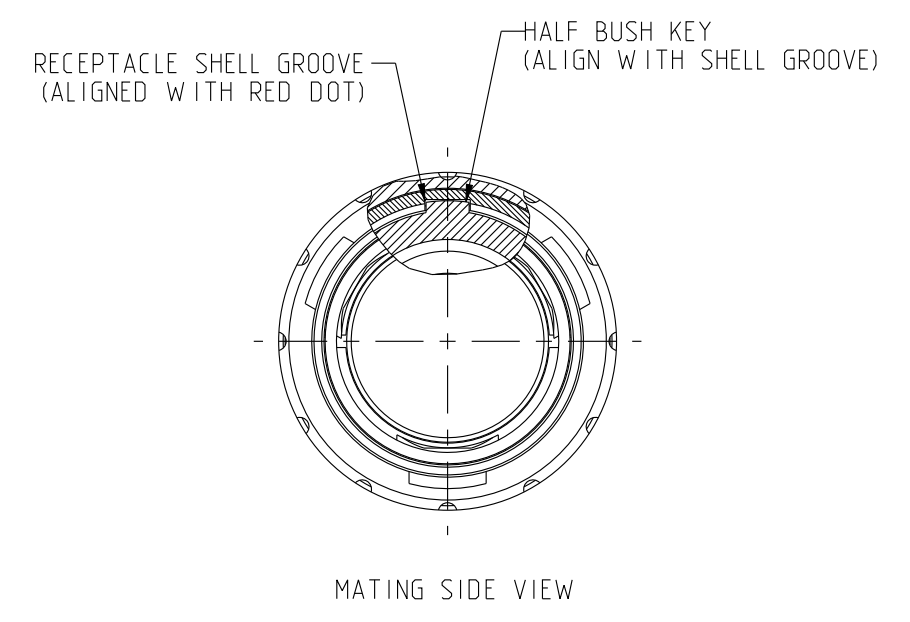
FINISH:

OUTER SHELL & BACK NUT : CHROME

OTHER BRASS PARTS : NICKEL

T ▷ TOOLS

MASS (g)	VOLUME (mm <sup>3</sup> )
25.4	4652



D

C

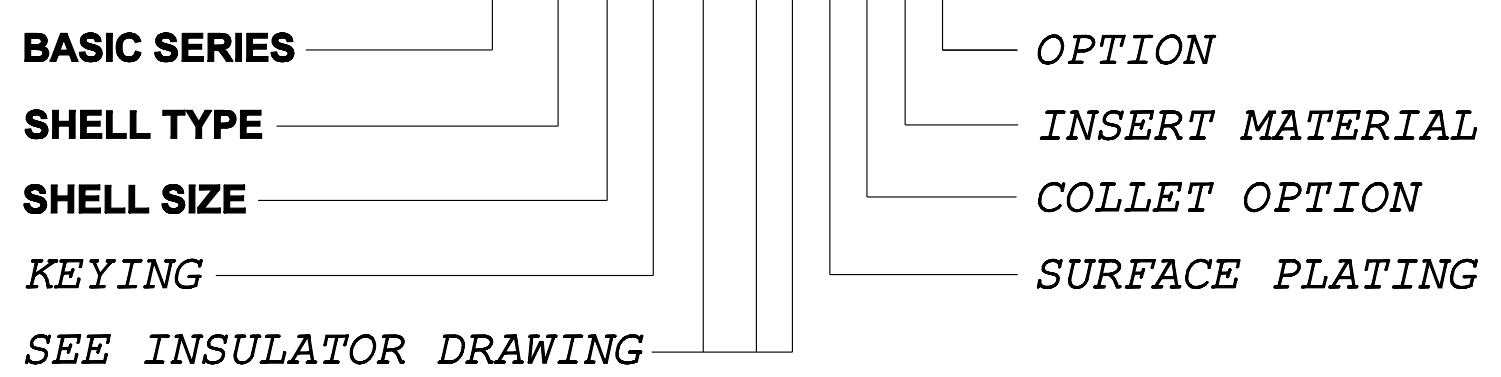
B

PART LIST	
ITEM NO.	DESCRIPTION
1	SLEEVE
2	HALF BUSH WITH WINDOW
3	HALF BUSH WITHOUT WINDOW
4	INSULATOR
5	Ø3.5-Ø9.7 CABLE COLLET (CHOOSE PER CABLE SIZE)
6	STANDARD BACK NUT
6a	BACK NUT FOR PROTECTIVE BOOT (OPTIONAL)

	TOOLS (JAW DIMENSION)	ADVISED TORQUE IN Nm
1 ▷	13	1.5
2 ▷	14	-

**CATALOG NUMBER DESCRIPTION**

**JBX FH 2 XXXXXDXX**



A	RELEASED PER ECN 12280	TJS 06-10-15	EV 06-10-15
REV	DESCRIPTION	BY DATE	CHKD DATE

DRAWING TITLE: **JBX, SIZE 2, SEALED STRAIGHT PLUG**

CAT NO. **JBXFH2**

CAGE NO: 09922 SIZE: C

**CUSTOMER**

**SOURIAU**

www.souriau.com

INTERPRET THIS DRAWING IN ACCORDANCE WITH ASME Y14.5M - 1994.

APPROVAL

DRAWN: TJS	05-08-15
CHKD : EV	05-08-15
DSGN : EV	05-08-15
MFG : DH	05-08-15
QC : BB	05-08-15

DRAWING SCALE: 4:1

DRAWING NO. **JBXFH2C** REV **A**

1 OF 1

A

PRO-E

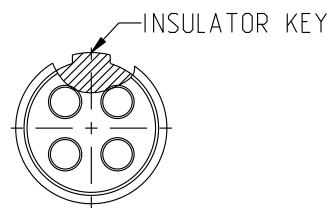
THIS DRAWING IS A CONTROLLED DOCUMENT FOR SOURIAU USA, INC. IT IS SUBJECT TO CHANGE WITHOUT NOTICE. CONTACT THE DOCUMENT CONTROL CENTER FOR THE LATEST REVISION.

THE INFORMATION CONTAINED IN THIS DRAWING IS CONFIDENTIAL AND MAY NOT BE DISCLOSED WITHOUT WRITTEN CONSENT FROM SOURIAU USA, INC.

2

1

DWG. NO. JBX2INSMCC		<b>MALE INSULATOR, CRIMP CONTACT</b>	
<b>CONTACT LAYOUT</b>	<b>02</b>	<b>03</b>	
FRONT SIDE VIEW			
REAR SIDE VIEW			
CONTACT			
ISO VIEW			
CONTACT			
ØC	2	1.6	
ØF	2.4	1.9	
MAX. AWG	12	14	
MAX. CURRENT RATING (A)	30	17	
CONTACT RESISTANCE (mΩ)	2.5	2.5	
INSULATOR			
NUMBER OF CAVITY	2	3	
MAX. CURRENT RATING	30	17	
TEST VOLTAGE (Vrms)	2100	1700	
WORKING VOLTAGE (Vdc/Vrms)	1000/700	830/560	

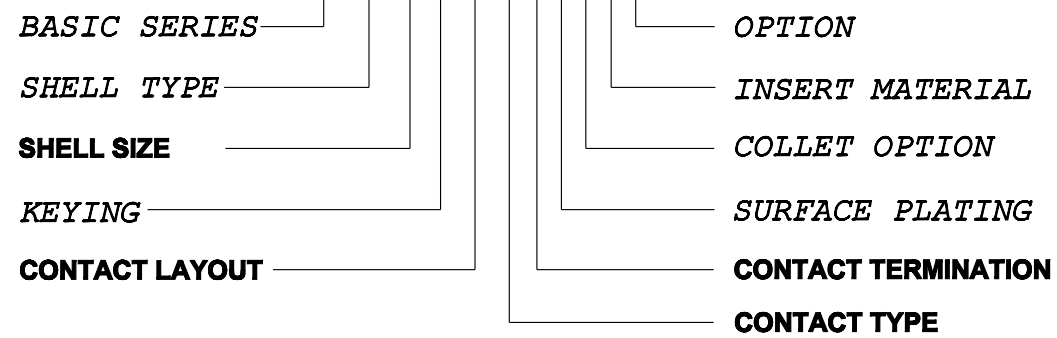


**CONTACT TYPE :** M (MALE)  
**CONTACT TERMINATION :** C (CRIMP)

**MATERIAL :**  
 CONTACT: BRASS  
 CLIP: COPPER ALLOY  
 INSULATOR: PEEK  
 FINISH: GOLD  
 CONTACTS: GOLD

**CATALOG NUMBER DESCRIPTION**

**JBXXX 2 XYYM C XXXX**



B	REVISED PER ECN 12286	RSK 06-10-15	EV 06-10-15
A	RELEASED PER ECN 12264	SKV 03-10-15	EV 03-10-15
REV	DESCRIPTION	BY DATE	CHKD DATE

DRAWING TITLE  
**JBX, SIZE 2, MALE INSULATOR, CRIMP CONTACT**

CAT NO. **JBX2INSMC**

CAGE NO: 09922	SIZE: B	APPROVAL	DRAWN: SKV 02-02-15
<b>CUSTOMER</b>	<b>SOURIAU</b>	<b>WWW.SOURIAU.COM</b>	CHKD : EV 02-02-15
			DSGN : EV 02-02-15
			MFG : DH 02-02-15
			QC : BB 02-02-15
INTERPRET THIS DRAWING IN ACCORDANCE WITH ASME Y14.5M - 1994.		DRAWING SCALE: NA	DRAWING NO. REV
		JBX2INSMCC	B
		1 OF 3	

LINEAR MEASURE:	
THIRD ANGLE PROJECTION	
TOLERANCES UNLESS OTHERWISE SPECIFIED	
No. OF PLACES	mm [INCH]
ONE PLACE	±3 [±.1]
TWO PLACES	±0.5 [±.02]
THREE PLACES	±0.25 [±.010]
ANGLES ±1°	

B

A

2

1

PRO-E

THIS DRAWING IS A CONTROLLED DOCUMENT FOR SOURIAU USA, INC. IT IS SUBJECT TO CHANGE WITHOUT NOTICE. CONTACT THE DOCUMENT CONTROL CENTER FOR THE LATEST REVISION.

THE INFORMATION CONTAINED IN THIS DRAWING IS CONFIDENTIAL AND MAY NOT BE DISCLOSED WITHOUT WRITTEN CONSENT FROM SOURIAU USA, INC.

DWG. NO.		2						1					
JBX2INSMCC		CONTACT LAYOUT		04	05	06	07	08	10				
FRONT SIDE VIEW													
REAR SIDE VIEW													
CONTACT													
ISO VIEW													
CONTACT		ØC	1.3	1.3	1.3	1.3	0.9	0.9					
		ØF	1.4	1.4	1.4	1.4	1.1	1.1					
		MAX. AWG	18	18	18	18	20	20					
		MAX. CURRENT RATING (A)	15	15	15	15	10	10					
		CONTACT RESISTANCE (mΩ)	3	3	3	3	3.5	3.5					
		NUMBER OF CAVITY	4	5	6	7	8	10					
		INSULATOR	MAX. CURRENT RATING	15	14	12	11	10	8				
		TEST VOLTAGE (Vrms)	2400	1900	1900	1500	1700	1700					
		WORKING VOLTAGE (Vdc/Vrms)	1000/700	900/630	900/630	730/500	830/560	830/560					
				DRAWING TITLE									
		<b>JBX, SIZE 2, MALE INSULATOR, CRIMP CONTACT</b>											
		CAT NO. <b>JBX2INSMC</b>											
		CAGE NO: 09922		SIZE: B									
		LINEAR MEASURE:  mm (INCH) THIRD ANGLE PROJECTION TOLERANCES UNLESS OTHERWISE SPECIFIED No. OF PLACES mm [INCH] ONE PLACE ±3 [±.1] TWO PLACES ±0.5 [±.02] THREE PLACES ±0.25 [±.010] ANGLES ±1°		<b>CUSTOMER</b>  INTERPRET THIS DRAWING IN ACCORDANCE WITH ASME Y14.5M - 1994.		<b>SOURIAU</b>  <b>WWW.SOURIAU.COM</b>		APPROVAL DRAWN: SKV 02-02-15 CHKD : EV 02-02-15 DSGN : EV 02-02-15 MFG : DH 02-02-15 QC : BB 02-02-15 DRAWING SCALE: NA DRAWING NO. REV		DRAWING NO. REV JBX2INSMCC B 2 OF 3			
								<b>PRO-E</b>					

B

A

2

1

THIS DRAWING IS A CONTROLLED DOCUMENT FOR SOURIAU USA, INC. IT IS SUBJECT TO CHANGE WITHOUT NOTICE. CONTACT THE DOCUMENT CONTROL CENTER FOR THE LATEST REVISION.

THE INFORMATION CONTAINED IN THIS DRAWING IS CONFIDENTIAL AND MAY NOT BE DISCLOSED WITHOUT WRITTEN CONSENT FROM SOURIAU USA, INC.

2

1

DWG. NO.  
JBX2INSMCC

CONTACT LAYOUT	12	16	18	19	
FRONT SIDE VIEW					
REAR SIDE VIEW					
CONTACT					
ISO VIEW					
CONTACT	ØC	0.7	0.7	0.7	0.7
	ØF	0.85	0.85	0.85	0.85
	MAX. AWG	22	22	22	22
	MAX. CURRENT RATING (A)	7	7	7	7
	CONTACT RESISTANCE (mΩ)	5	5	5	5
INSULATOR	NUMBER OF CAVITY	12	16	18	19
	MAX. CURRENT RATING	7	6	5.5	5
	TEST VOLTAGE (Vrms)	1700	1500	1400	1400
	WORKING VOLTAGE (Vdc/Vrms)	830/560	730/500	660/460	660/460

B

A

DRAWING TITLE  
**JBX, SIZE 2, MALE INSULATOR, CRIMP CONTACT**

CAT. NO. **JBX2INSMC**

CAGE NO: 09922	SIZE: B	APPROVAL	DRAWN: SKV 02-02-15
<b>CUSTOMER</b>	<b>SOURIAU</b>		CHKD : EV 02-02-15
			DSGN : EV 02-02-15
			MFG : DH 02-02-15
			QC : BB 02-02-15
INTERPRET THIS DRAWING IN ACCORDANCE WITH ASME Y14.5M - 1994.		DRAWING SCALE: NA	
<b>WWW.SOURIAU.COM</b>		DRAWING NO. REV	
		JBX2INSMCC B	
		3 OF 3	

LINEAR MEASURE:	
THIRD ANGLE PROJECTION	
TOLERANCES UNLESS OTHERWISE SPECIFIED	
No. OF PLACES	mm [INCH]
ONE PLACE	±3 [±.1]
TWO PLACES	±0.5 [±.02]
THREE PLACES	±0.25 [±.010]
ANGLES ±1°	

2

1

PRO-E

## X-ON Electronics

Largest Supplier of Electrical and Electronic Components

*Click to view similar products for [Circular Push Pull Connectors](#) category:*

*Click to view products by [Sunbank](#) manufacturer:*

Other Similar products are found below :

[6407-249V-11273P](#) [6408-201V-13273](#) [6408-202V-13343](#) [6408-202V-17343](#) [EZG.0B.309.CLN](#) [FFA.2S.310.ZLA](#) [FGJ.1B.304.CLLD76](#)  
[FGJ.1B.306.CWLD72](#) [FGJ.3B.304.CYMD10Z](#) [FGJ.3B.304.CYMD82Z](#) [FHG.1B.303.CYCZ](#) [PCS.01.250.DLLE24](#) [PHG.0K.305.CYMC40Z](#)  
[PHG.1K.308.CLLK85](#) [PKG.M0.6BL.LZ](#) [PLC.M1.0SL.LA](#) [GMA.10.290.DN](#) [GMA.3B.090.DA](#) [PRG.M0.6GL.LC52GZ](#) [PSA.1S.275.CTLC66](#)  
[ABF.1S.250.NTA](#) [133020F](#) [1331ER193MZ](#) [1332M107MZ](#) [DTS26Z19-32JA-LC](#) [DTS26Z19-32SA](#) [DTS26Z19-32SA-LC](#) [EAJ.1B.306.CWA](#)  
[ECG.XB.312.CLL](#) [1589430-2](#) [EEA.0B.305.CLN](#) [EEA.0B.309.CLL](#) [ELF.00.250.NTL](#) [ERA.01.250.DLL](#) [BRR.2S.200.PZVG](#) [HR10A-P](#)  
[CAH.M34.SLL.C72GZ](#) [CAJ.M34.SLL.C72GZ](#) [300500](#) [ESB.00.303.NLL](#) [EXG.0B.309.HLN](#) [FFB.1S.250.CLAC27](#) [FGA.2B.306.CYCD92](#)  
[FGA.2B.306.CYCD92Z](#) [FGJ.3B.308.CLLD72Z](#) [FHG.1B.303.CYCD62](#) [FLC.00.250.CTAC27](#) [FLC.00.250.CTAC31](#) [PCS.01.250.DLLE31](#)  
[PKA.M1.0TL.LG](#)