

**ELECTRICAL:**

EMI SHIELDING : SHIELDED FOR THE RANGE 55dB UP TO 100MHZ

INSULATION RESISTANCE : >500MΩ PER ANSI-EIA-364-D METHOD 21

MAX. CURRENT RATING : SEE INSULATOR DRAWING

CONNECTOR TESTING VOLTAGE : SEE INSULATOR DRAWING

CONNECTOR WORKING VOLTAGE : SEE INSULATOR DRAWING

**ENVIRONMENTAL:**

ENDURANCE: 1000 CYCLES AS PER MIL-STD 1344A, METHOD 2016.1

SHOCK: 50 g , DURATION 6 ms; AS PER MIL-STD 1344A, METHOD 2004.1

VIBRATIONS: 10 TO 2000Hz g = 15g, AS PER MIL-STD 1344A, METHOD 2005.1

PROTECTION INDEX: IP 67 AS PER CEI 529

ROHS COMPLIANT

SALT MIST : 48Hr PER SAE AS 1344 METHOD 1001.1 CEI 529

**OPERATING TEMPERATURE:** -40°C TO +80°C (-40°F TO +176°F)

MASS (g)	VOLUME (mm <sup>3</sup> )
16.6	3159

**NOTES:**

1 RED BAND

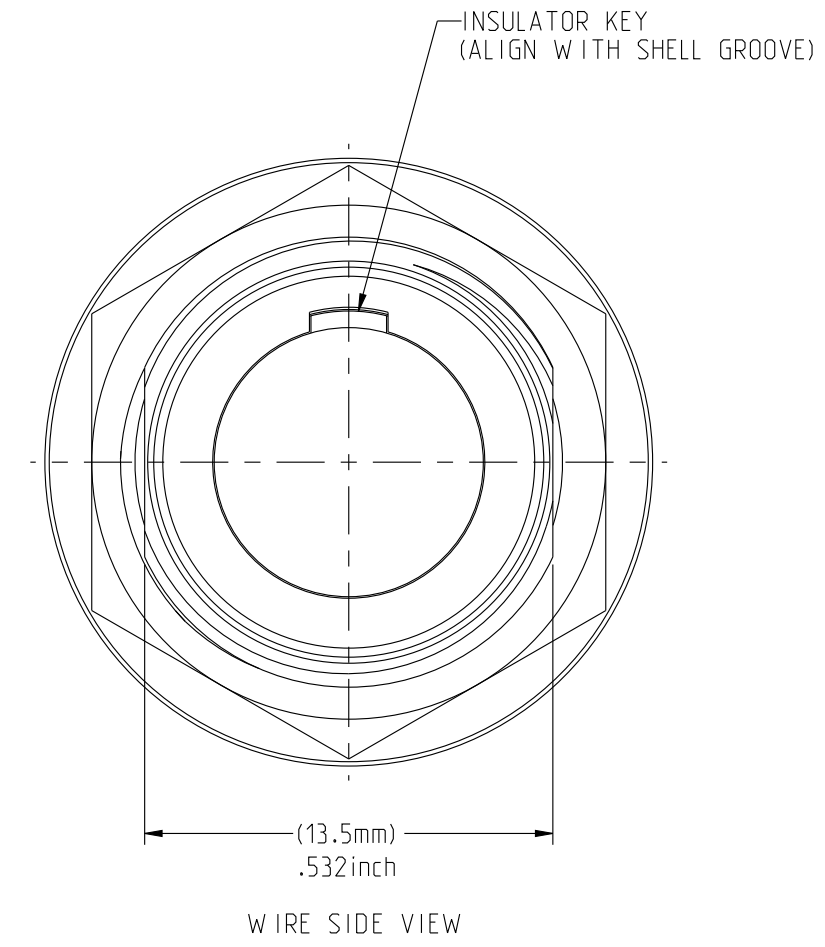
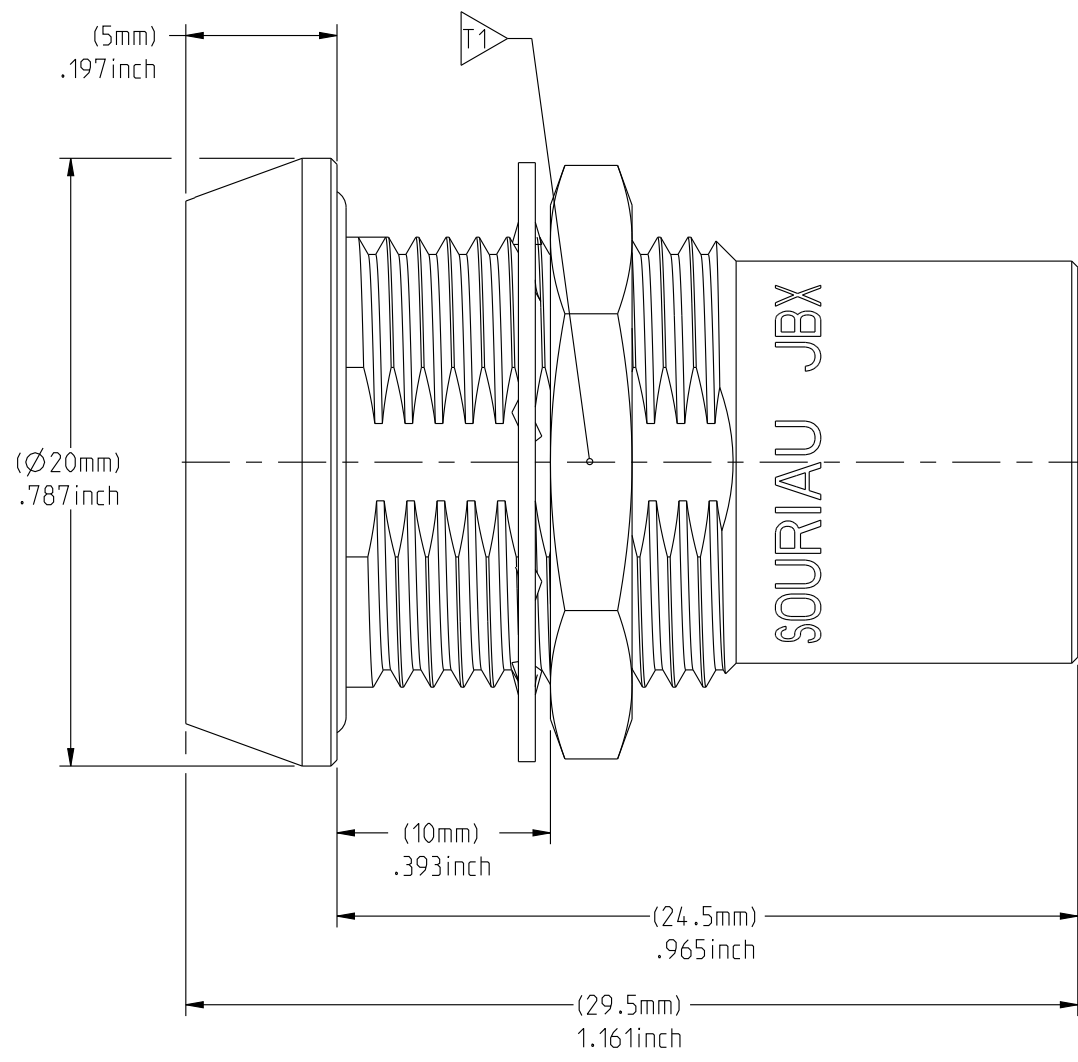
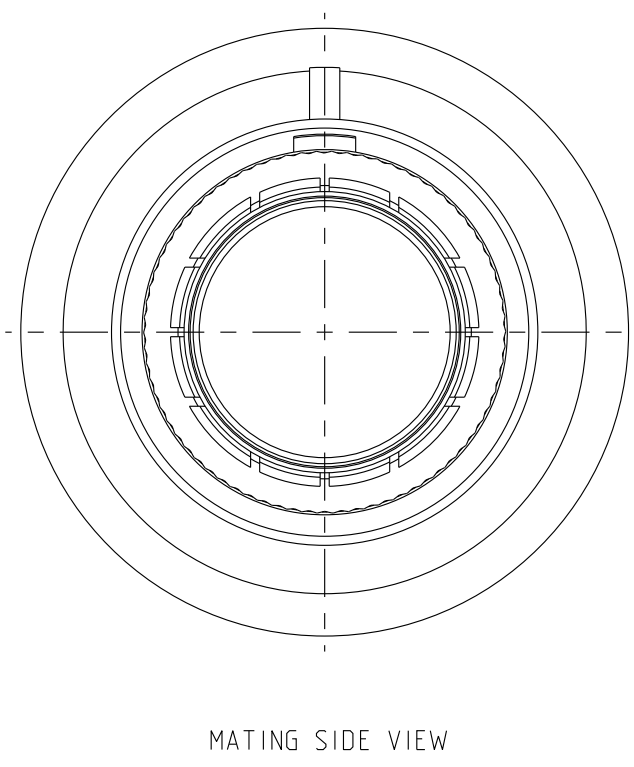
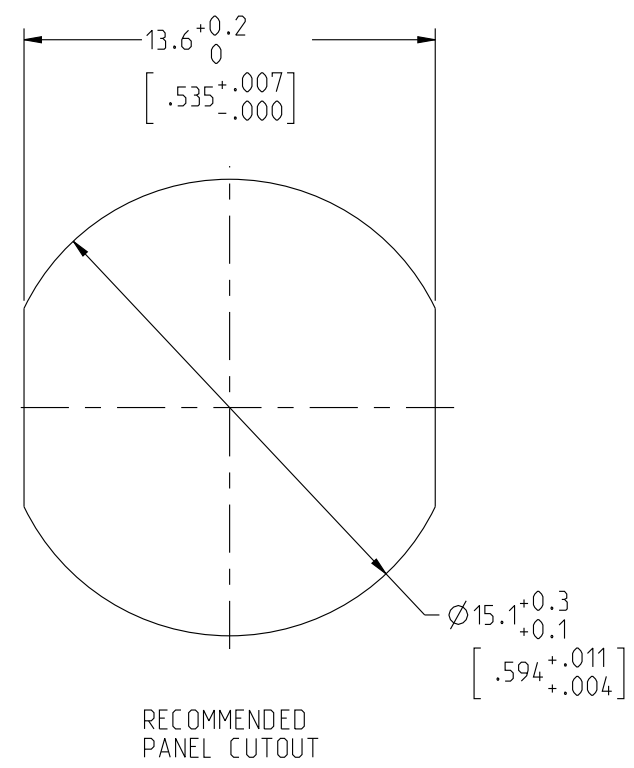
**MATERIAL:**

OUTER SHELL : } BRASS  
SHIELD RING & NUT: }

**FINISH:**

OUTER SHELL: CHROME  
OTHER BRASS PARTS : NICKEL

TOOLS



PART LIST	
ITEM NO.	DESCRIPTION
1	SHELL
2	HEX NUT
3	LOCK WASHER

	TOOLS (JAW DIMENSION)	ADVISED TORQUE IN Nm
17		1.7

**CATALOG NUMBER DESCRIPTION**

**JBX HH 2 XXXXX DSR**

**BASIC SERIES** \_\_\_\_\_

**SHELL TYPE** \_\_\_\_\_

**SHELL SIZE** \_\_\_\_\_

**KEYING** \_\_\_\_\_

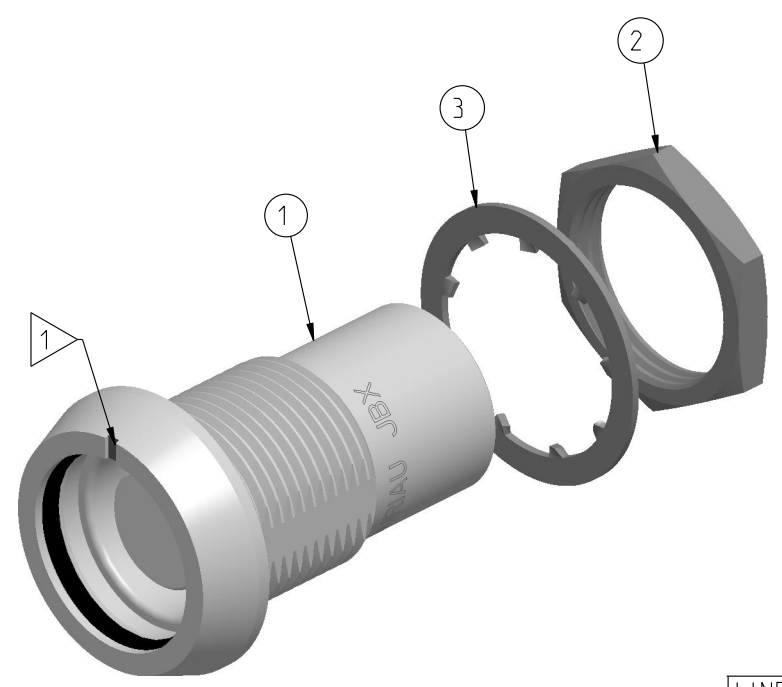
**SEE INSULATOR DRAWING** \_\_\_\_\_

**OPTION** \_\_\_\_\_

**INSERT MATERIAL** \_\_\_\_\_

**COLLET OPTION** \_\_\_\_\_

**SURFACE PLATING** \_\_\_\_\_



SCALE 2:1

LINEAR MEASURE:		
THIRD ANGLE PROJECTION		
TOLERANCES UNLESS OTHERWISE SPECIFIED		
No. OF PLACES	mm [INCH]	
WHOLE No.	±0.5 [±.02]	
ONE PLACE	±0.2 [±.008]	
TWO PLACES	±0.1 [±.004]	
ANGLES ±1°		

**DRAWING TITLE**  
**JBX, SIZE 2, SEALED FRONT PANEL MOUNTING RECEPTACLE**

CAT NO. **JBXHH2**

CAGE NO: 09922 SIZE: C

**CUSTOMER**

**SOURIAU**  
www.souriau.com

INTERPRET THIS DRAWING IN ACCORDANCE WITH ASME Y14.5M - 1994.

APPROVAL	DRAWN: SKV	01-21-15
	CHKD : EV	01-21-15
	DSGN : EV	01-21-15
	MFG : DH	01-21-15
	QC : BB	01-21-15
	DRAWING SCALE: 4:1	
	DRAWING NO.	REV
	<b>JBXHH2C</b>	A

1 OF 1

THIS DRAWING IS A CONTROLLED DOCUMENT FOR SOURIAU USA, INC. IT IS SUBJECT TO CHANGE WITHOUT NOTIFICATION. CONTACT THE DOCUMENT CONTROL CENTER FOR THE LATEST REVISION.

C

B

THE INFORMATION CONTAINED IN THIS DRAWING IS CONFIDENTIAL AND MAY NOT BE DISCLOSED WITHOUT WRITTEN CONSENT FROM SOURIAU USA, INC.

D

C

B

A

THIS DRAWING IS A CONTROLLED DOCUMENT FOR SOURIAU USA, INC. IT IS SUBJECT TO CHANGE WITHOUT NOTICE. CONTACT THE DOCUMENT CONTROL CENTER FOR THE LATEST REVISION.

THE INFORMATION CONTAINED IN THIS DRAWING IS CONFIDENTIAL AND MAY NOT BE DISCLOSED WITHOUT WRITTEN CONSENT FROM SOURIAU USA, INC.

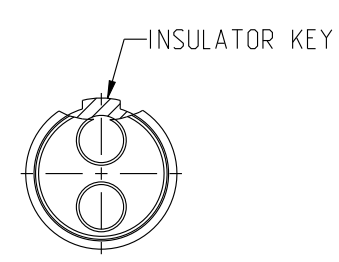
2

1

DWG. NO.  
JBX2INSFCC

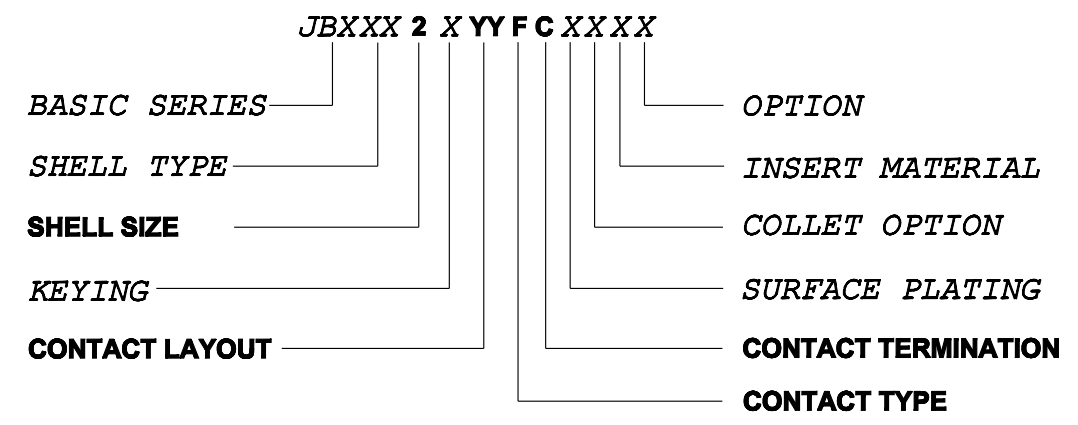
**FEMALE INSULATOR, CRIMP CONTACT**

CONTACT LAYOUT	02	03	04	05
FRONT SIDE VIEW				
REAR SIDE VIEW				
CONTACT				
ISO VIEW				
$\varnothing C$	2	1.6	1.3	1.3
$\varnothing F$	2.4	1.9	1.4	1.4
MAX. AWG	12	14	18	18
MAX. CURRENT RATING (A)	30	17	15	15
CONTACT RESISTANCE (m $\Omega$ )	2.5	2.5	3	3
NUMBER OF CAVITY	2	3	4	5
MAX. CURRENT RATING	30	17	15	14
TEST VOLTAGE (Vrms)	2100	1700	2400	1900
WORKING VOLTAGE (Vdc/Vrms)	1000/700	830/560	1000/700	900/630



**CONTACT TYPE :** F (FEMALE)  
**CONTACT TERMINATION :** C (CRIMP)  
**MATERIAL :**  
 CONTACT: CUPRO-NICKEL  
 CLIP: COPPER ALLOY  
 INSULATOR: PEEK  
**FINISH :**  
 CONTACTS : GOLD

**CATALOG NUMBER DESCRIPTION**



B	REVISED PER ECN 12286	RSK 06-10-15	EV 06-10-15
A	RELEASED PER ECN 12264	TJS 03-10-15	EV 03-10-15
REV	DESCRIPTION	BY DATE	CHKD DATE

DRAWING TITLE  
**JBX, SIZE 2, FEMALE INSULATOR, CRIMP CONTACT**

CAT. NO. **JBX2INSFC**

CAGE NO: 09922	SIZE: B	APPROVAL
<b>CUSTOMER</b>	<b>SOURIAU</b>	DRAWN: TJS 02-04-15
		CHKD : EV 02-04-15
INTERPRET THIS DRAWING IN ACCORDANCE WITH ASME Y14.5M - 1994.	<b>WWW.SOURIAU.COM</b>	DSGN : EV 02-04-15
		MFG : DH 02-04-15
		QC : BB 02-04-15
		DRAWING SCALE: NA
		DRAWING NO. REV
		JBX2INSFCC B
		1 OF 3

B

A

2

1

PRO-E

THIS DRAWING IS A CONTROLLED DOCUMENT FOR SOURIAU USA, INC. IT IS SUBJECT TO CHANGE WITHOUT NOTICE. CONTACT THE DOCUMENT CONTROL CENTER FOR THE LATEST REVISION.

THE INFORMATION CONTAINED IN THIS DRAWING IS CONFIDENTIAL AND MAY NOT BE DISCLOSED WITHOUT WRITTEN CONSENT FROM SOURIAU USA, INC.

2

1

DWG. NO. JBX2INSFCC

CONTACT LAYOUT	06	07	08	10
FRONT SIDE VIEW				
REAR SIDE VIEW				
CONTACT				
ISO VIEW				

	06	07	08	10
CONTACT				
INSULATOR				
ØC	1.3	1.3	0.9	0.9
ØF	1.4	1.4	1.1	1.1
MAX. AWG	18	18	20	20
MAX. CURRENT RATING (A)	15	15	10	10
CONTACT RESISTANCE (mΩ)	3	3	3.5	3.5
NUMBER OF CAVITY	6	7	8	10
MAX. CURRENT RATING	12	11	10	8
TEST VOLTAGE (Vrms)	1900	1500	1700	1700
WORKING VOLTAGE (Vdc/Vrms)	900/630	730/500	830/560	830/560

DRAWING TITLE  
**JBX, SIZE 2, FEMALE INSULATOR, CRIMP CONTACT**

CAT. NO. **JBX2INSFC**

CAGE NO: 09922    SIZE: B

**CUSTOMER**

**SOURIAU**  
WWW.SOURIAU.COM

APPROVAL	DRAWN: TJS	02-04-15
	CHKD : EV	02-04-15
	DSGN : EV	02-04-15
	MFG : DH	02-04-15
	QC : BB	02-04-15
DRAWING SCALE: NA		
DRAWING NO. REV		
JBX2INSFCC		B
2 OF 3		

INTERPRET THIS DRAWING IN ACCORDANCE WITH ASME Y14.5M - 1994.

LINEAR MEASURE:	
THIRD ANGLE PROJECTION	
TOLERANCES UNLESS OTHERWISE SPECIFIED	
No. OF PLACES	mm [INCH]
ONE PLACE	±3 [±.1]
TWO PLACES	±0.5 [±.02]
THREE PLACES	±0.25 [±.010]
ANGLES ±1°	

B

A

2

1

PRO-E

THIS DRAWING IS A CONTROLLED DOCUMENT FOR SOURIAU USA, INC. IT IS SUBJECT TO CHANGE WITHOUT NOTICE. CONTACT THE DOCUMENT CONTROL CENTER FOR THE LATEST REVISION.

THE INFORMATION CONTAINED IN THIS DRAWING IS CONFIDENTIAL AND MAY NOT BE DISCLOSED WITHOUT WRITTEN CONSENT FROM SOURIAU USA, INC.

2

1

DWG. NO. JBX2INSFCC						
<b>CONTACT LAYOUT</b>	<b>12</b>	<b>16</b>	<b>18</b>	<b>19</b>		
FRONT SIDE VIEW						
REAR SIDE VIEW						
CONTACT						
ISO VIEW						
CONTACT	ØC	0.7	0.7	0.7	0.7	
	ØF	0.85	0.85	0.85	0.85	
	MAX. AWG	22	22	22	22	
	MAX. CURRENT RATING (A)	7	7	7	7	
	CONTACT RESISTANCE (mΩ)	5	5	5	5	
	NUMBER OF CAVITY	12	16	18	19	
	INSULATOR	MAX. CURRENT RATING	7	6	5.5	5
		TEST VOLTAGE (Vrms)	1700	1500	1400	1400
		WORKING VOLTAGE (Vdc/Vrms)	830/560	730/500	660/460	660/460

B

A

DRAWING TITLE  
**JBX, SIZE 2, FEMALE INSULATOR, CRIMP CONTACT**

CAT. NO. **JBX2INSFC**

CAGE NO: 09922    SIZE: B

**CUSTOMER**

**SOURIAU**  
[WWW.SOURIAU.COM](http://WWW.SOURIAU.COM)

APPROVAL	DRAWN: TJS	02-04-15
	CHKD : EV	02-04-15
	DSGN : EV	02-04-15
	MFG : DH	02-04-15
	QC : BB	02-04-15
DRAWING SCALE: NA		
DRAWING NO. REV		
JBX2INSFCC		B
3 OF 3		

INTERPRET THIS DRAWING IN ACCORDANCE WITH ASME Y14.5M - 1994.

LINEAR MEASURE:  mm (INCH)	
THIRD ANGLE PROJECTION	
TOLERANCES UNLESS OTHERWISE SPECIFIED	
No. OF PLACES	mm [INCH]
ONE PLACE	±3 [±.1]
TWO PLACES	±0.5 [±.02]
THREE PLACES	±0.25 [±.010]
ANGLES ±1°	

2

1

PRO-E

## X-ON Electronics

Largest Supplier of Electrical and Electronic Components

*Click to view similar products for [Circular Push Pull Connectors](#) category:*

*Click to view products by [Sunbank](#) manufacturer:*

Other Similar products are found below :

[6407-249V-11273P](#) [6408-201V-13273](#) [6408-202V-13343](#) [6408-202V-17343](#) [EZG.0B.309.CLN](#) [FFA.2S.310.ZLA](#) [FGA.1B.307.CYCD72Z](#)  
[FGJ.1B.304.CLLD76](#) [FGJ.1B.306.CWLD72](#) [FGJ.3B.304.CYMD82Z](#) [FHG.1B.303.CYCZ](#) [PCS.01.250.DLLE24](#) [PHG.0K.305.CYMC40Z](#)  
[PHG.1K.308.CLLK85](#) [PHG.2K.310.CYMC60Z](#) [PHG.2K.310.CYMC85Z](#) [PKG.M0.6BL.LZ](#) [PLC.M1.0SL.LA](#) [GMA.10.290.DN](#)  
[GMA.3B.090.DA](#) [PRG.M0.6GL.LC52GZ](#) [PSA.1S.275.CTLC66](#) [ABF.1S.250.NTA](#) [D38999/26ZF11PA-LC](#) [133020F](#) [1331ER193MZ](#)  
[1332M107MZ](#) [DTS26Z19-32JA-LC](#) [DTS26Z19-32SA](#) [DTS26Z19-32SA-LC](#) [EAJ.1B.306.CWA](#) [ECG.XB.312.CLL](#) [1589430-2](#)  
[ELF.00.250.NTL](#) [BRR.2S.200.PZVG](#) [HR10A-P](#) [CAH.M34.SLL.C72GZ](#) [CAJ.M34.SLL.C72GZ](#) [300500](#) [EXG.0B.309.HLN](#)  
[FFB.1S.250.CLAC27](#) [FGA.2B.306.CYCD92](#) [FGA.2B.306.CYCD92Z](#) [FGJ.3B.308.CLLD72Z](#) [FHG.1B.303.CYCD62](#) [FLC.00.250.CTAC27](#)  
[FLC.00.250.CTAC31](#) [PCS.01.250.DLLE31](#) [PKA.M1.0TL.LG](#) [PKC.M0.7GL.NG](#)