

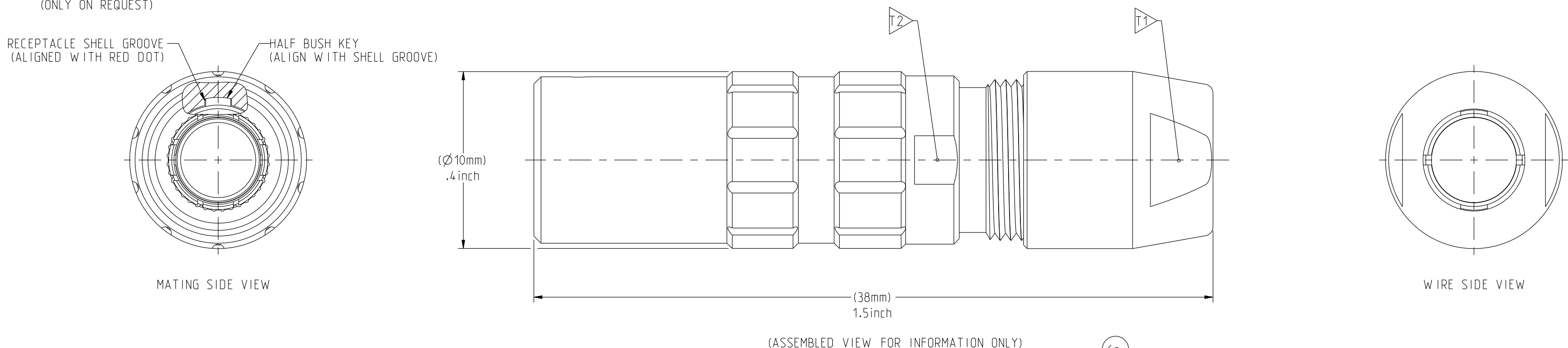
THIS DRAWING IS A CONTROLLED DOCUMENT FOR SOURIAU USA, INC. IT IS SUBJECT TO CHANGE WITHOUT NOTIFICATION. CONTACT THE DOCUMENT CONTROL CENTER FOR THE LATEST REVISION.  
  
 THE INFORMATION CONTAINED IN THIS DRAWING IS CONFIDENTIAL AND MAY NOT BE DISCLOSED WITHOUT WRITTEN CONSENT FROM SOURIAU USA, INC.

**ELECTRICAL:**  
 EMI SHIELDING : SHIELDED FOR THE RANGE 55dB UP TO 100MHz  
 INSULATION RESISTANCE : >500MΩ PER ANSI-EIA-364-D METHOD 21  
 MAX. CURRENT RATING : SEE INSULATOR DRAWING  
 CONNECTOR TESTING VOLTAGE : SEE INSULATOR DRAWING  
 CONNECTOR WORKING VOLTAGE : SEE INSULATOR DRAWING

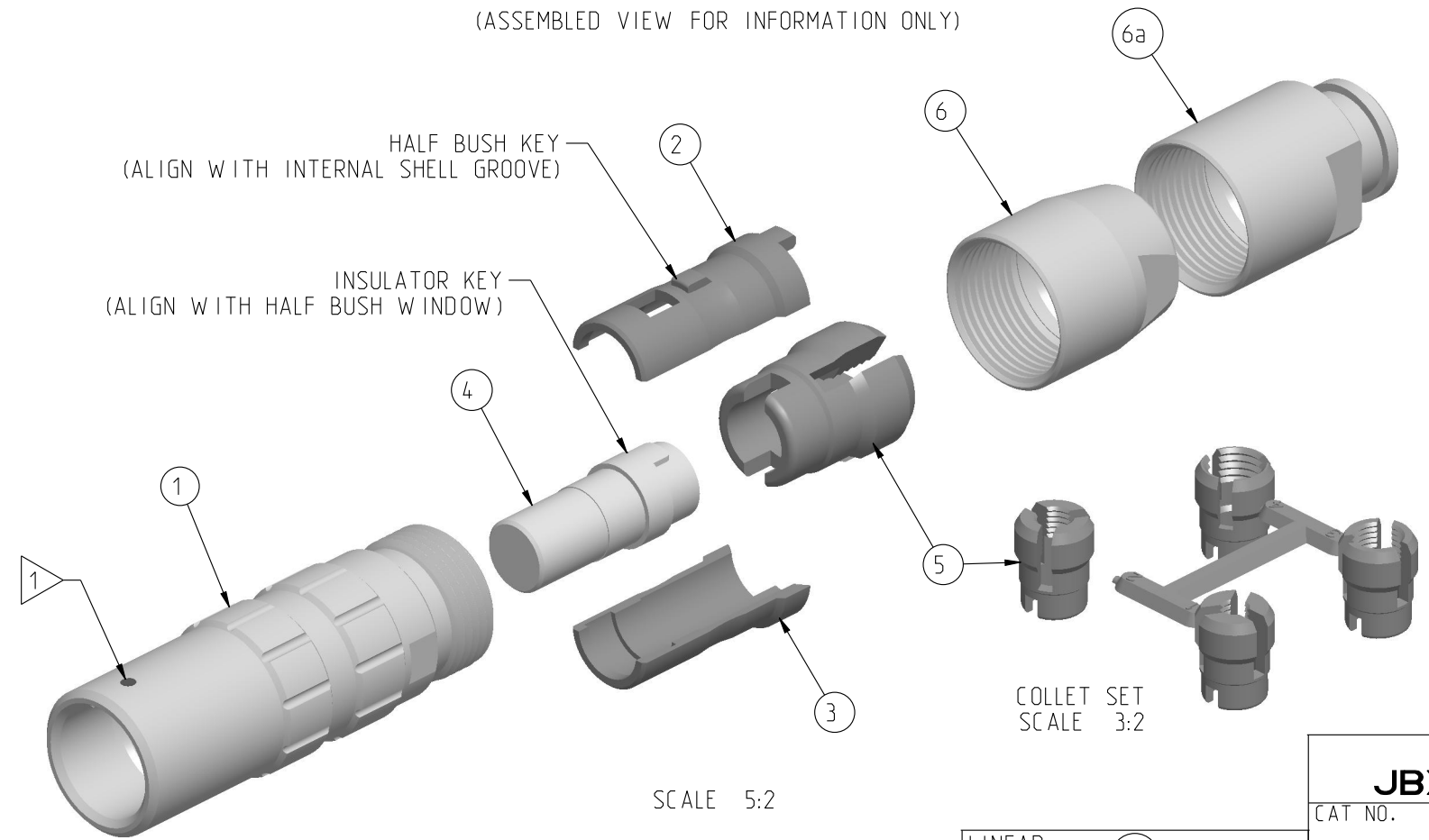
**PHYSICAL:**  
 MAXIMUM WIRE SIZE USED : SEE INSULATOR DRAWING  
 CABLE DIAMETER WITH PLASTIC COLLET SET SUPPLIED: Ø1.5mm MIN. TO Ø5.5mm MAX.

**ENVIRONMENTAL:**  
 ENDURANCE: 1000 CYCLES AS PER MIL-STD 1344A, METHOD 2016.1  
 SHOCK: 50 g , DURATION 6 ms; AS PER MIL-STD 1344A, METHOD 2004.1  
 VIBRATIONS: 10 TO 2000Hz g = 15g. AS PER MIL-STD 1344A, METHOD 2005.1  
 PROTECTION INDEX: IP 40 AS PER CEI 529  
 ROHS COMPLIANT  
 SALT MIST : 48Hr PER SAE AS 1344 METHOD 1001.1 CEI 529  
**OPERATING TEMPERATURE:**  
 WITH PLASTIC COLLETS: -55°C TO +125°C (-67°F TO +257°F)  
 WITH OPTIONAL METALLIC COLLETS: -55°C TO +200°C (-67°F TO +392°F) (ONLY ON REQUEST)

**NOTES:**  
 1 ▷ RED DOT.  
**MATERIAL:**  
 OUTER SHELL & BACK NUT : } BRASS  
 SHIELD RING : }  
 HALF BUSHES : }  
 COLLET : POLYAMIDE  
**FINISH:**  
 OUTER SHELL & BACK NUT : CHROME  
 OTHER BRASS PARTS : NICKEL  
 T ▷ TOOLS



PART LIST	
ITEM NO.	DESCRIPTION
1	RECEPTACLE SHELL
2	HALF BUSHING WITH WINDOW
3	HALF BUSHING WITHOUT WINDOW
4	INSULATOR
5	Ø1.5-Ø5.5 CABLE COLLET (CHOOSE PER CABLE SIZE)
6	STANDARD BACK NUT
6a	BACK NUT FOR PROTECTIVE BOOT (OPTIONAL)



	TOOLS (JAW DIMENSION)	ADVISED TORQUE IN Nm
T1	8	0.8
T2	9	-

**CATALOG NUMBER DESCRIPTION**

**JBX PC 0 XXXXXX DXX**

**BASIC SERIES** \_\_\_\_\_

**SHELL TYPE** \_\_\_\_\_

**SHELL SIZE** \_\_\_\_\_

**KEYING** \_\_\_\_\_

**SEE INSULATOR DRAWING** \_\_\_\_\_

**OPTION** \_\_\_\_\_

**INSERT MATERIAL** \_\_\_\_\_

**COLLET OPTION** \_\_\_\_\_

**SURFACE PLATING** \_\_\_\_\_

LINEAR MEASURE: $\frac{mm}{INCH}$ $\frac{mm}{(INCH)}$	
THIRD ANGLE PROJECTION	
TOLERANCES UNLESS OTHERWISE SPECIFIED	
No. OF PLACES	mm [INCH]
W HOLE No.	±0.5 [±.02]
ONE PLACE	±0.2 [±.008]
TWO PLACES	±0.1 [±.004]
ANGLES ±1°	

**DRAWING TITLE**  
**JBX, SIZE 0, CABLE MOUNTED RECEPTACLE**

CAT NO. **JBXPCO**

CAGE NO: 09922 SIZE: C

**CUSTOMER**

**SOURIAU**  
 www.souriau.com

APPROVAL  
 DRAWN: SKV 01-08-15  
 CHKD: EV 01-08-15  
 DSGN: EV 01-08-15  
 MFG: DH 01-08-15  
 QC: BB 01-08-15

DRAWING SCALE: 4:1  
 DRAWING NO. JBXPCOC  
 REV A

1 OF 1

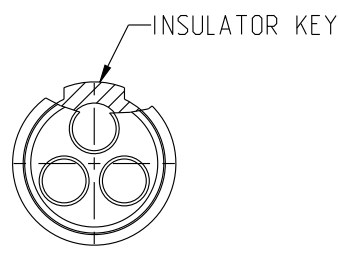
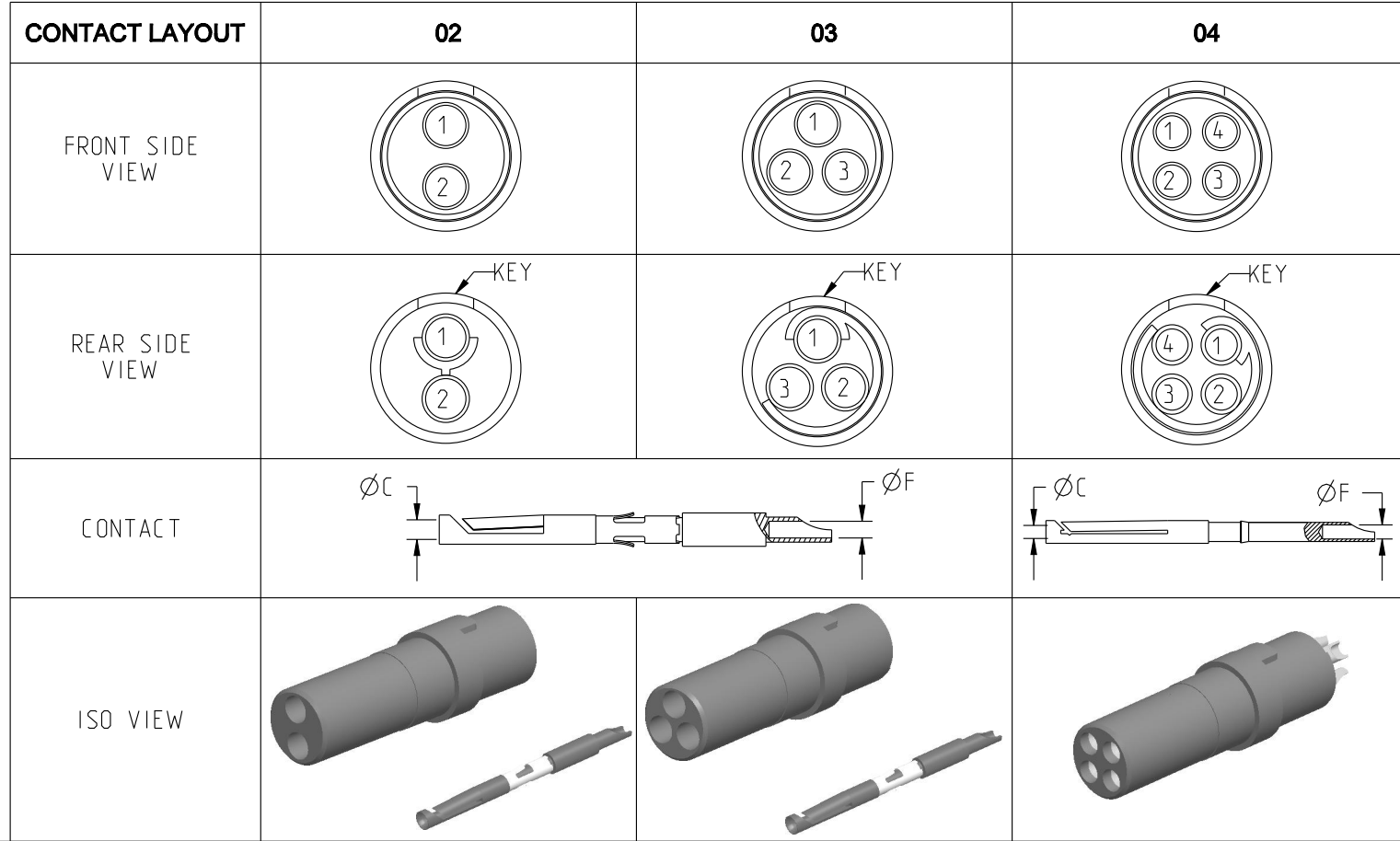
THIS DRAWING IS A CONTROLLED DOCUMENT FOR SOURIAU USA, INC. IT IS SUBJECT TO CHANGE WITHOUT NOTICE. CONTACT THE DOCUMENT CONTROL CENTER FOR THE LATEST REVISION.

THE INFORMATION CONTAINED IN THIS DRAWING IS CONFIDENTIAL AND MAY NOT BE DISCLOSED WITHOUT WRITTEN CONSENT FROM SOURIAU USA, INC.

2

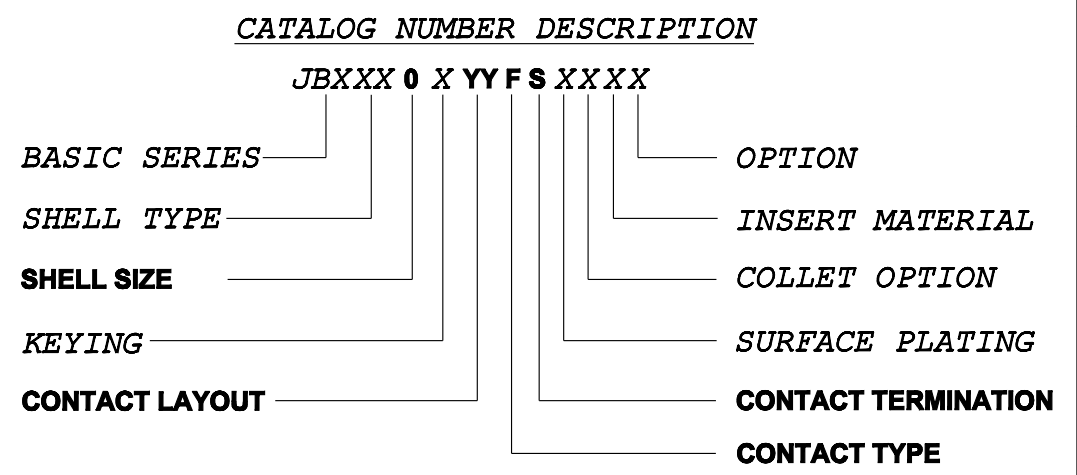
1

DWG. NO. **JBX0INSFSC** **FEMALE INSULATOR, SOLDER CONTACT**



**CONTACT TYPE :** F (FEMALE)  
**CONTACT TERMINATION :** S (SOLDER)  
**MATERIAL :**  
 CONTACT: CUPRO-NICKEL  
 CLIP: COPPER ALLOY  
 INSULATOR: PEEK  
**FINISH :**  
 CONTACTS : GOLD

	02	03	04
CONTACT			
INSULATOR			
$\varnothing C$	0.9	0.9	0.7
$\varnothing F$	0.8	0.8	0.81
MAX. AWG	24	24	22
MAX. CURRENT RATING (A)	10	10	7
CONTACT RESISTANCE (m $\Omega$ )	3.5	3.5	5
NUMBER OF CAVITY	2	3	4
MAX. CURRENT RATING	10	8	7
TEST VOLTAGE (Vrms)	1400	1300	1350
WORKING VOLTAGE (Vdc/Vrms)	660/460	600/420	660/460



B	REVISED PER ECN 12286	RSK 06-10-15	EV 06-10-15
A	RELEASED PER ECN 12264	TJS 03-10-15	EV 03-10-15
REV	DESCRIPTION	BY DATE	CHKD DATE

DRAWING TITLE  
**JBX, SIZE 0, FEMALE INSULATOR, SOLDER CONTACT**  
 CAT NO. **JBX0INSFSC**

LINEAR MEASURE:  $\frac{mm}{INCH}$  mm (INCH)

THIRD ANGLE PROJECTION

TOLERANCES UNLESS OTHERWISE SPECIFIED

No. OF PLACES	mm [INCH]
ONE PLACE	$\pm 3$ [ $\pm .1$ ]
TWO PLACES	$\pm 0.5$ [ $\pm .02$ ]
THREE PLACES	$\pm 0.25$ [ $\pm .010$ ]
ANGLES $\pm 1^\circ$	

CAGE NO: 09922 SIZE: B

**CUSTOMER**

INTERPRET THIS DRAWING IN ACCORDANCE WITH ASME Y14.5M - 1994.

**SOURIAU**

WWW.SOURIAU.COM

DRAWN:	TJS	02-04-15
CHKD :	EV	02-04-15
DSGN :	EV	02-04-15
MFG :	DH	02-04-15
QC :	BB	02-04-15
DRAWING SCALE: NA		
DRAWING NO. REV		
JBX0INSFSC	B	
1 OF 2		

B

A

2

1

PRO-E

THIS DRAWING IS A CONTROLLED DOCUMENT FOR SOURIAU USA, INC. IT IS SUBJECT TO CHANGE WITHOUT NOTICE. CONTACT THE DOCUMENT CONTROL CENTER FOR THE LATEST REVISION.

THE INFORMATION CONTAINED IN THIS DRAWING IS CONFIDENTIAL AND MAY NOT BE DISCLOSED WITHOUT WRITTEN CONSENT FROM SOURIAU USA, INC.

2

1

DWG. NO. JBX0INSFSC					
<b>CONTACT LAYOUT</b>	<b>05</b>	<b>06</b>	<b>07</b>	<b>08</b>	
FRONT SIDE VIEW					
REAR SIDE VIEW					
CONTACT					
ISO VIEW					
	ØC	0.7	0.5	0.5	0.5
	ØF	0.81	0.5	0.5	0.5
	MAX. AWG	22	28	28	28
	MAX. CURRENT RATING (A)	7	5	5	5
	CONTACT RESISTANCE (mΩ)	5	10	10	10
	NUMBER OF CAVITY	5	6	7	8
	MAX. CURRENT RATING	6.5	2.5	2.5	2
	TEST VOLTAGE (Vrms)	800	680	680	680
	WORKING VOLTAGE (Vdc/Vrms)	400/260	320/220	320/220	190/130

B

A

DRAWING TITLE  
**JBX, SIZE O, FEMALE INSULATOR, SOLDER CONTACT**

CAT NO. **JBX0INSFS**

CAGE NO: 09922	SIZE: B
<b>CUSTOMER</b>	<b>SOURIAU</b>
<b>WWW.SOURIAU.COM</b>	

APPROVAL	DRAWN: TJS 02-04-15
	CHKD : EV 02-04-15
	DSGN : EV 02-04-15
	MFG : DH 02-04-15
	QC : BB 02-04-15
	DRAWING SCALE: NA
	DRAWING NO. REV
	JBX0INSFSC B
	2 OF 2

**PRO-E**

LINEAR MEASURE: mm (INCH)

THIRD ANGLE PROJECTION

TOLERANCES UNLESS OTHERWISE SPECIFIED

No. OF PLACES	mm [INCH]
ONE PLACE	±3 [±.1]
TWO PLACES	±0.5 [±.02]
THREE PLACES	±0.25 [±.010]

ANGLES ±1°

INTERPRET THIS DRAWING IN ACCORDANCE WITH ASME Y14.5M - 1994.

2

1

## X-ON Electronics

Largest Supplier of Electrical and Electronic Components

*Click to view similar products for [Circular Push Pull Connectors](#) category:*

*Click to view products by [Sunbank](#) manufacturer:*

Other Similar products are found below :

[6407-249V-11273P](#) [6408-201V-13273](#) [6408-202V-13343](#) [6408-202V-17343](#) [EZG.0B.309.CLN](#) [FFA.2S.310.ZLA](#) [FGA.1B.307.CYCD72Z](#)  
[FGJ.1B.304.CLLD76](#) [FGJ.1B.306.CWLD72](#) [FGJ.3B.304.CYMD10Z](#) [FGJ.3B.304.CYMD82Z](#) [FHG.1B.303.CYCZ](#) [PCS.01.250.DLLE24](#)  
[PHG.0K.305.CYMC40Z](#) [PHG.1K.308.CLLK85](#) [PKG.M0.6BL.LZ](#) [PLC.M1.0SL.LA](#) [GMA.10.290.DN](#) [GMA.3B.090.DA](#)  
[PRG.M0.6GL.LC52GZ](#) [PSA.1S.275.CTLC66](#) [ABF.1S.250.NTA](#) [133020F](#) [1331ER193MZ](#) [1332M107MZ](#) [DTS26Z19-32JA-LC](#) [DTS26Z19-](#)  
[32SA](#) [DTS26Z19-32SA-LC](#) [EAJ.1B.306.CWA](#) [ECG.XB.312.CLL](#) [1589430-2](#) [EEA.0B.305.CLN](#) [EEA.0B.309.CLL](#) [ELF.00.250.NTL](#)  
[BRR.2S.200.PZVG](#) [HR10A-P](#) [CAH.M34.SLL.C72GZ](#) [CAJ.M34.SLL.C72GZ](#) [300500](#) [EXG.0B.309.HLN](#) [FFB.1S.250.CLAC27](#)  
[FGA.2B.306.CYCD92](#) [FGA.2B.306.CYCD92Z](#) [FGJ.3B.308.CLLD72Z](#) [FHG.1B.303.CYCD62](#) [FLC.00.250.CTAC27](#) [FLC.00.250.CTAC31](#)  
[PCS.01.250.DLLE31](#) [PKA.M1.0TL.LG](#) [PKC.M0.7GL.NG](#)