

ELECTRICAL:

EMI SHIELDING : SHIELDED FOR THE RANGE 55dB UP TO 100MHZ  
 INSULATION RESISTANCE : >500MΩ PER ANSI-EIA-364-D METHOD 21  
 MAX. CURRENT RATING : SEE INSULATOR DRAWING  
 CONNECTOR TESTING VOLTAGE : SEE INSULATOR DRAWING  
 CONNECTOR WORKING VOLTAGE : SEE INSULATOR DRAWING

PHYSICAL:

MAXIMUM WIRE SIZE USED : SEE INSULATOR DRAWING  
 CABLE DIAMETER WITH PLASTIC COLLET SET SUPPLIED: Ø3.5mm MIN. TO Ø9.7mm MAX.

ENVIRONMENTAL:

ENDURANCE: 1000 CYCLES AS PER MIL-STD 1344A. METHOD 2016.1  
 SHOCK: 50 g , DURATION 6 ms; AS PER MIL-STD 1344A, METHOD 2004.1  
 VIBRATIONS: 10 TO 2000Hz g = 15g, AS PER MIL-STD 1344A, METHOD 2005.1  
 PROTECTION INDEX: IP 40 AS PER CEI 529  
 ROHS COMPLIANT  
 SALT MIST : 48Hr PER SAE AS 1344 METHOD 1001.1 CEI 529  
 OPERATING TEMPERATURE:  
 WITH PLASTIC COLLETS: -55°C TO +125°C (-67°F TO +257°F)  
 WITH OPTIONAL METALLIC COLLETS: -55°C TO +200°C (-67°F TO +392°F) (ONLY ON REQUEST)

MASS (g)	VOLUME (mm <sup>3</sup> )
38.3	5734

NOTES:

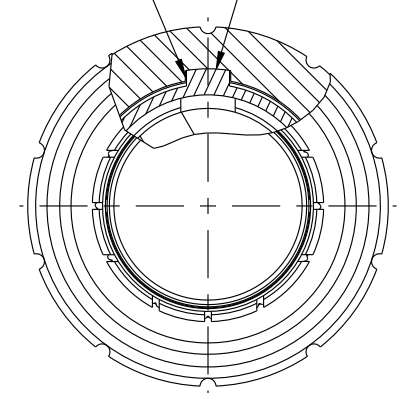
1 RED DOT.

MATERIAL:

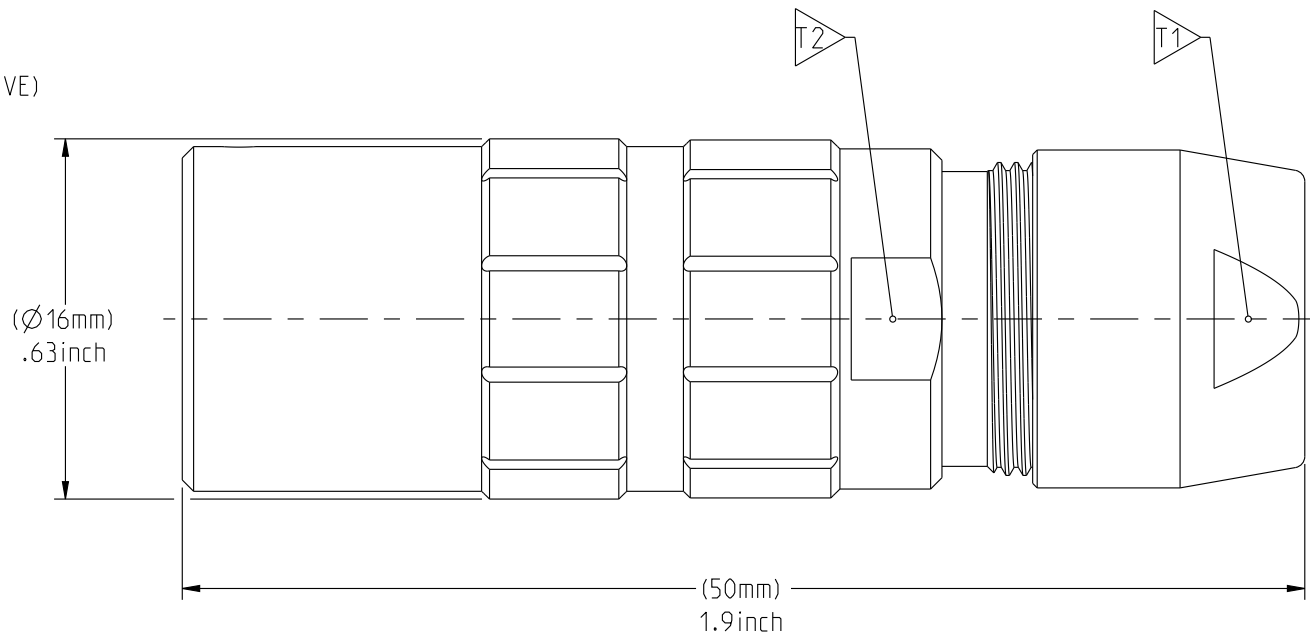
OUTER SHELL & BACK NUT : } BRASS  
 SHIELD RING : }  
 HALF BUSHES : }  
 COLLET : POLYAMIDE  
 FINISH:  
 OUTER SHELL & BACK NUT : CHROME  
 OTHER BRASS PARTS : NICKEL

T TOOLS

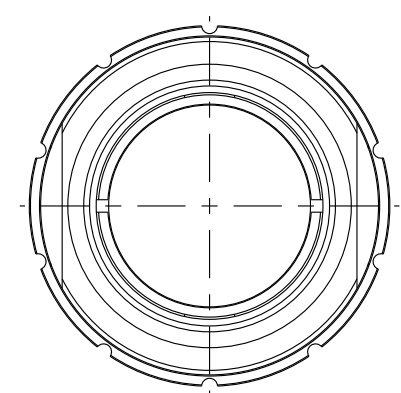
RECEPTACLE SHELL GROOVE (ALIGNED WITH RED DOT)  
 HALF BUSH KEY (ALIGN WITH SHELL GROOVE)



MATING SIDE VIEW



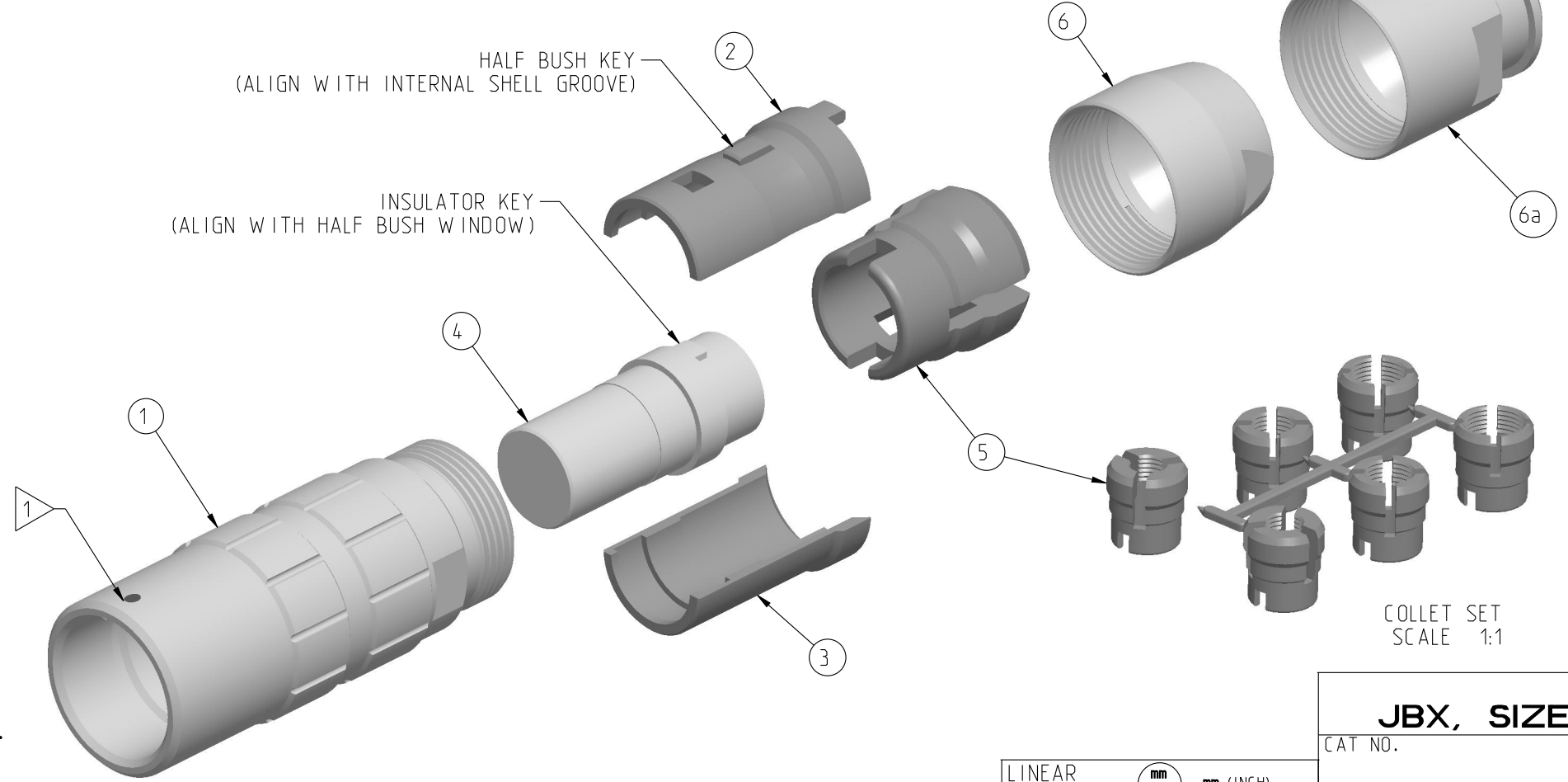
(ASSEMBLED VIEW FOR INFORMATION ONLY)



WIRE SIDE VIEW

PART LIST	
ITEM NO.	DESCRIPTION
1	RECEPTACLE SHELL
2	HALF BUSHING WITH WINDOW
3	HALF BUSHING WITHOUT WINDOW
4	INSULATOR
5	Ø3.5-Ø9.7 CABLE COLLET (CHOOSE PER CABLE SIZE)
6	STANDARD BACK NUT
6a	BACK NUT FOR PROTECTIVE BOOT (OPTIONAL)

HALF BUSH KEY (ALIGN WITH INTERNAL SHELL GROOVE)  
 INSULATOR KEY (ALIGN WITH HALF BUSH WINDOW)



SCALE 2:1

	TOOLS (JAW DIMENSION)	ADVISED TORQUE IN Nm
T1	13	1.5
T2	14	-

CATALOG NUMBER DESCRIPTION

JBX PC 2 XXXXXX D S X

**BASIC SERIES** \_\_\_\_\_ **OPTION** \_\_\_\_\_  
**SHELL TYPE** \_\_\_\_\_ **INSERT MATERIAL** \_\_\_\_\_  
**SHELL SIZE** \_\_\_\_\_ **COLLET OPTION** \_\_\_\_\_  
**KEYING** \_\_\_\_\_ **SURFACE PLATING** \_\_\_\_\_  
**SEE INSULATOR DRAWING**

LINEAR MEASURE: $\frac{mm}{INCH}$ $\frac{mm}{(INCH)}$	
THIRD ANGLE PROJECTION	
TOLERANCES UNLESS OTHERWISE SPECIFIED	
No. OF PLACES	mm [INCH]
WHOLE No.	±0.5 [±.02]
ONE PLACE	±0.2 [±.008]
TWO PLACES	±0.1 [±.004]
ANGLES ±1°	

**DRAWING TITLE**  
**JBX, SIZE 2, CABLE MOUNTED RECEPTACLE**

CAT NO. **JBXPC2**

CAGE NO: 09922 SIZE: C

**CUSTOMER**

**SOURIAU**  
www.souriau.com

APPROVAL  
 DRAWN: SKV 01-23-15  
 CHKD: EV 01-23-15  
 DSGN: EV 01-23-15  
 MFG: DH 01-23-15  
 QC: BB 01-23-15

DRAWING SCALE: 3:1  
 DRAWING NO. REV  
**JBXPC2C** A

1 OF 1

THIS DRAWING IS A CONTROLLED DOCUMENT FOR SOURIAU USA, INC. IT IS SUBJECT TO CHANGE WITHOUT NOTIFICATION. CONTACT THE DOCUMENT CONTROL CENTER FOR THE LATEST REVISION.

THE INFORMATION CONTAINED IN THIS DRAWING IS CONFIDENTIAL AND MAY NOT BE DISCLOSED WITHOUT WRITTEN CONSENT FROM SOURIAU USA, INC.

THIS DRAWING IS A CONTROLLED DOCUMENT FOR SOURIAU USA, INC. IT IS SUBJECT TO CHANGE WITHOUT NOTICE. CONTACT THE DOCUMENT CONTROL CENTER FOR THE LATEST REVISION.

THE INFORMATION CONTAINED IN THIS DRAWING IS CONFIDENTIAL AND MAY NOT BE DISCLOSED WITHOUT WRITTEN CONSENT FROM SOURIAU USA, INC.

2

1

DWG. NO. JBX2INSFCC	<b>FEMALE INSULATOR, CRIMP CONTACT</b>																												
<b>CONTACT LAYOUT</b>	<b>02</b>	<b>03</b>	<b>04</b>	<b>05</b>																									
FRONT SIDE VIEW																													
REAR SIDE VIEW																													
CONTACT																													
ISO VIEW																													
CONTACT	<table border="1" style="width: 100%; border-collapse: collapse;"> <tr><td>ØC</td><td>2</td><td>1.6</td><td>1.3</td><td>1.3</td></tr> <tr><td>ØF</td><td>2.4</td><td>1.9</td><td>1.4</td><td>1.4</td></tr> <tr><td>MAX. AWG</td><td>12</td><td>14</td><td>18</td><td>18</td></tr> <tr><td>MAX. CURRENT RATING (A)</td><td>30</td><td>17</td><td>15</td><td>15</td></tr> <tr><td>CONTACT RESISTANCE (mΩ)</td><td>2.5</td><td>2.5</td><td>3</td><td>3</td></tr> </table>	ØC	2	1.6	1.3	1.3	ØF	2.4	1.9	1.4	1.4	MAX. AWG	12	14	18	18	MAX. CURRENT RATING (A)	30	17	15	15	CONTACT RESISTANCE (mΩ)	2.5	2.5	3	3			
ØC	2	1.6	1.3	1.3																									
ØF	2.4	1.9	1.4	1.4																									
MAX. AWG	12	14	18	18																									
MAX. CURRENT RATING (A)	30	17	15	15																									
CONTACT RESISTANCE (mΩ)	2.5	2.5	3	3																									
INSULATOR	<table border="1" style="width: 100%; border-collapse: collapse;"> <tr><td>NUMBER OF CAVITY</td><td>2</td><td>3</td><td>4</td><td>5</td></tr> <tr><td>MAX. CURRENT RATING</td><td>30</td><td>17</td><td>15</td><td>14</td></tr> <tr><td>TEST VOLTAGE (Vrms)</td><td>2100</td><td>1700</td><td>2400</td><td>1900</td></tr> <tr><td>WORKING VOLTAGE (Vdc/Vrms)</td><td>1000/700</td><td>830/560</td><td>1000/700</td><td>900/630</td></tr> </table>	NUMBER OF CAVITY	2	3	4	5	MAX. CURRENT RATING	30	17	15	14	TEST VOLTAGE (Vrms)	2100	1700	2400	1900	WORKING VOLTAGE (Vdc/Vrms)	1000/700	830/560	1000/700	900/630								
NUMBER OF CAVITY	2	3	4	5																									
MAX. CURRENT RATING	30	17	15	14																									
TEST VOLTAGE (Vrms)	2100	1700	2400	1900																									
WORKING VOLTAGE (Vdc/Vrms)	1000/700	830/560	1000/700	900/630																									

**CONTACT TYPE :** F (FEMALE)  
**CONTACT TERMINATION :** C (CRIMP)

**MATERIAL :**  
 CONTACT: CUPRO-NICKEL  
 CLIP: COPPER ALLOY  
 INSULATOR: PEEK  
 FINISH: GOLD  
 CONTACTS : GOLD

INSULATOR KEY

**CATALOG NUMBER DESCRIPTION**

**JBXXX 2 X YY F C XXXX**

BASIC SERIES		OPTION	
SHELL TYPE		INSERT MATERIAL	
SHELL SIZE		COLLET OPTION	
KEYING		SURFACE PLATING	
CONTACT LAYOUT		CONTACT TERMINATION	
		CONTACT TYPE	

B	REVISED PER ECN 12286	RSK 06-10-15	EV 06-10-15
A	RELEASED PER ECN 12264	TJS 03-10-15	EV 03-10-15
REV	DESCRIPTION	BY DATE	CHKD DATE

DRAWING TITLE  
**JBX, SIZE 2, FEMALE INSULATOR, CRIMP CONTACT**

CAT. NO. **JBX2INSFC**

CAGE NO: 09922	SIZE: B	
----------------	---------	--

<b>CUSTOMER</b>	<b>SOURIAU</b>	<table border="1" style="width: 100%; border-collapse: collapse;"> <tr><td>DRAWN: TJS</td><td>02-04-15</td></tr> <tr><td>CHKD : EV</td><td>02-04-15</td></tr> <tr><td>DSGN : EV</td><td>02-04-15</td></tr> <tr><td>MFG : DH</td><td>02-04-15</td></tr> <tr><td>QC : BB</td><td>02-04-15</td></tr> <tr><td colspan="2" style="text-align: center;">DRAWING SCALE: NA</td></tr> <tr><td colspan="2" style="text-align: center;">DRAWING NO. REV</td></tr> <tr><td style="text-align: center;">JBX2INSFCC</td><td style="text-align: center;">B</td></tr> <tr><td colspan="2" style="text-align: center;">1 OF 3</td></tr> </table>	DRAWN: TJS	02-04-15	CHKD : EV	02-04-15	DSGN : EV	02-04-15	MFG : DH	02-04-15	QC : BB	02-04-15	DRAWING SCALE: NA		DRAWING NO. REV		JBX2INSFCC	B	1 OF 3	
DRAWN: TJS	02-04-15																			
CHKD : EV	02-04-15																			
DSGN : EV	02-04-15																			
MFG : DH	02-04-15																			
QC : BB	02-04-15																			
DRAWING SCALE: NA																				
DRAWING NO. REV																				
JBX2INSFCC	B																			
1 OF 3																				

INTERPRET THIS DRAWING IN ACCORDANCE WITH ASME Y14.5M - 1994.

**WWW.SOURIAU.COM**

B

A

2

1

PRO-E

THIS DRAWING IS A CONTROLLED DOCUMENT FOR SOURIAU USA, INC. IT IS SUBJECT TO CHANGE WITHOUT NOTICE. CONTACT THE DOCUMENT CONTROL CENTER FOR THE LATEST REVISION.

THE INFORMATION CONTAINED IN THIS DRAWING IS CONFIDENTIAL AND MAY NOT BE DISCLOSED WITHOUT WRITTEN CONSENT FROM SOURIAU USA, INC.

2

1

DWG. NO.  
JBX2INSFCC

CONTACT LAYOUT	06	07	08	10
FRONT SIDE VIEW				
REAR SIDE VIEW				
CONTACT				
ISO VIEW				
CONTACT	ØC	1.3	1.3	0.9
	ØF	1.4	1.4	1.1
	MAX. AWG	18	18	20
	MAX. CURRENT RATING (A)	15	15	10
INSULATOR	CONTACT RESISTANCE (mΩ)	3	3	3.5
	NUMBER OF CAVITY	6	7	8
	MAX. CURRENT RATING	12	11	10
	TEST VOLTAGE (Vrms)	1900	1500	1700
WORKING VOLTAGE (Vdc/Vrms)	900/630	730/500	830/560	830/560

DRAWING TITLE  
**JBX, SIZE 2, FEMALE INSULATOR, CRIMP CONTACT**

CAT. NO. **JBX2INSFC**

CAGE NO: 09922    SIZE: B

**CUSTOMER**

**SOURIAU**  
WWW.SOURIAU.COM

APPROVAL	DRAWN: TJS	02-04-15
	CHKD : EV	02-04-15
	DSGN : EV	02-04-15
	MFG : DH	02-04-15
QC : BB	02-04-15	
DRAWING SCALE: NA		
DRAWING NO. REV		
JBX2INSFCC		B
2 OF 3		

INTERPRET THIS DRAWING IN ACCORDANCE WITH ASME Y14.5M - 1994.

LINEAR MEASURE:	
THIRD ANGLE PROJECTION	
TOLERANCES UNLESS OTHERWISE SPECIFIED	
No. OF PLACES	mm [INCH]
ONE PLACE	±3 [±.1]
TWO PLACES	±0.5 [±.02]
THREE PLACES	±0.25 [±.010]
ANGLES ±1°	

B

A

2

1

PRO-E

THIS DRAWING IS A CONTROLLED DOCUMENT FOR SOURIAU USA, INC. IT IS SUBJECT TO CHANGE WITHOUT NOTICE. CONTACT THE DOCUMENT CONTROL CENTER FOR THE LATEST REVISION.

THE INFORMATION CONTAINED IN THIS DRAWING IS CONFIDENTIAL AND MAY NOT BE DISCLOSED WITHOUT WRITTEN CONSENT FROM SOURIAU USA, INC.

2

1

DWG. NO. JBX2INSFCC						
<b>CONTACT LAYOUT</b>	<b>12</b>	<b>16</b>	<b>18</b>	<b>19</b>		
FRONT SIDE VIEW						
REAR SIDE VIEW						
CONTACT						
ISO VIEW						
CONTACT	ØC	0.7	0.7	0.7	0.7	
	ØF	0.85	0.85	0.85	0.85	
	MAX. AWG	22	22	22	22	
	MAX. CURRENT RATING (A)	7	7	7	7	
	CONTACT RESISTANCE (mΩ)	5	5	5	5	
	NUMBER OF CAVITY	12	16	18	19	
	INSULATOR	MAX. CURRENT RATING	7	6	5.5	5
		TEST VOLTAGE (Vrms)	1700	1500	1400	1400
		WORKING VOLTAGE (Vdc/Vrms)	830/560	730/500	660/460	660/460

B

A

DRAWING TITLE  
**JBX, SIZE 2, FEMALE INSULATOR, CRIMP CONTACT**

CAT NO. **JBX2INSFC**

CAGE NO: 09922    SIZE: B

**CUSTOMER**

**SOURIAU**  
WWW.SOURIAU.COM

APPROVAL	DRAWN: TJS 02-04-15
	CHKD : EV 02-04-15
	DSGN : EV 02-04-15
	MFG : DH 02-04-15
	QC : BB 02-04-15
DRAWING SCALE: NA	
DRAWING NO. REV	
JBX2INSFCC B	
3 OF 3	

LINEAR MEASURE:  mm (INCH)	
THIRD ANGLE PROJECTION	
TOLERANCES UNLESS OTHERWISE SPECIFIED	
No. OF PLACES	mm [INCH]
ONE PLACE	±3 [±.1]
TWO PLACES	±0.5 [±.02]
THREE PLACES	±0.25 [±.010]
ANGLES ±1°	

INTERPRET THIS DRAWING IN ACCORDANCE WITH ASME Y14.5M - 1994.

2

1

PRO-E

## X-ON Electronics

Largest Supplier of Electrical and Electronic Components

*Click to view similar products for [Circular Push Pull Connectors](#) category:*

*Click to view products by [Sunbank](#) manufacturer:*

Other Similar products are found below :

[6407-249V-11273P](#) [6408-201V-13273](#) [6408-202V-13343](#) [6408-202V-17343](#) [EZG.0B.309.CLN](#) [FFA.2S.310.ZLA](#) [FGA.1B.307.CYCD72Z](#)  
[FGJ.1B.304.CLLD76](#) [FGJ.1B.306.CWLD72](#) [FGJ.3B.304.CYMD10Z](#) [FGJ.3B.304.CYMD82Z](#) [FHG.1B.303.CYCZ](#) [PCS.01.250.DLLE24](#)  
[PHG.0K.305.CYMC40Z](#) [PHG.1K.308.CLLK85](#) [PKG.M0.6BL.LZ](#) [PLC.M1.0SL.LA](#) [GMA.10.290.DN](#) [GMA.3B.090.DA](#)  
[PRG.M0.6GL.LC52GZ](#) [PSA.1S.275.CTLC66](#) [ABF.1S.250.NTA](#) [133020F](#) [1331ER193MZ](#) [1332M107MZ](#) [DTS26Z19-32JA-LC](#) [DTS26Z19-](#)  
[32SA](#) [DTS26Z19-32SA-LC](#) [EAJ.1B.306.CWA](#) [ECG.XB.312.CLL](#) [1589430-2](#) [EEA.0B.305.CLN](#) [EEA.0B.309.CLL](#) [ELF.00.250.NTL](#)  
[BRR.2S.200.PZVG](#) [HR10A-P](#) [CAH.M34.SLL.C72GZ](#) [CAJ.M34.SLL.C72GZ](#) [300500](#) [EXG.0B.309.HLN](#) [FFB.1S.250.CLAC27](#)  
[FGA.2B.306.CYCD92](#) [FGA.2B.306.CYCD92Z](#) [FGJ.3B.308.CLLD72Z](#) [FHG.1B.303.CYCD62](#) [FLC.00.250.CTAC27](#) [FLC.00.250.CTAC31](#)  
[PCS.01.250.DLLE31](#) [PKA.M1.0TL.LG](#) [PKC.M0.7GL.NG](#)