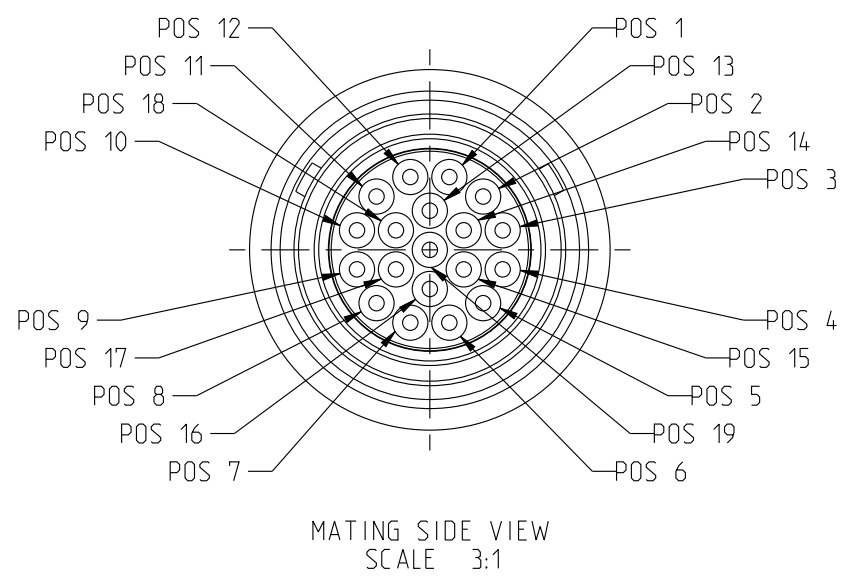
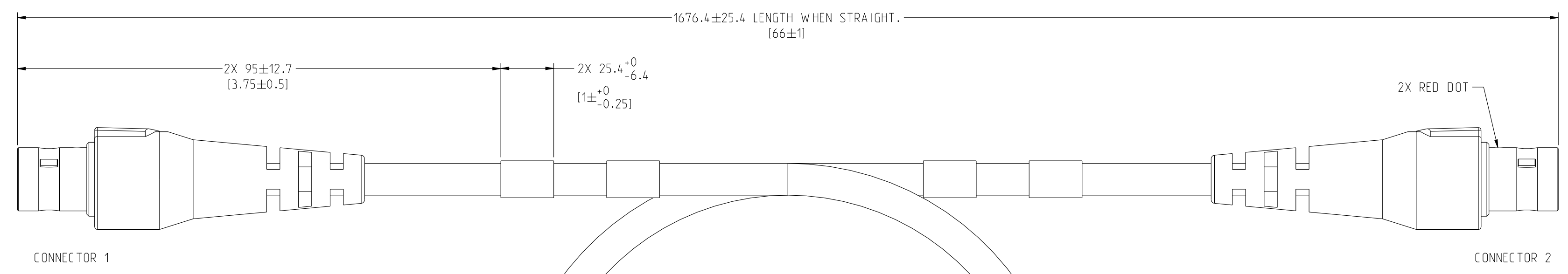


THIS DRAWING IS A CONTROLLED DOCUMENT FOR SOURIAU USA, INC. IT IS SUBJECT TO CHANGE WITHOUT NOTIFICATION. CONTACT THE DOCUMENT CONTROL CENTER FOR THE LATEST REVISION.

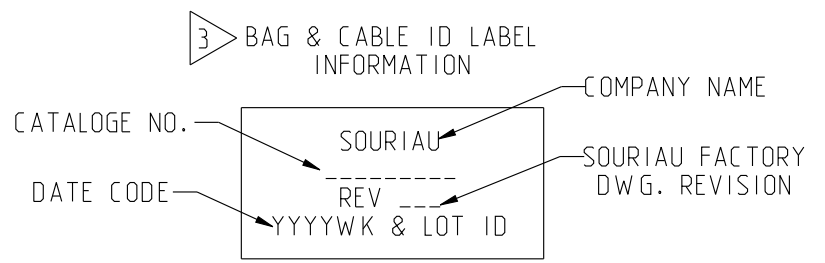
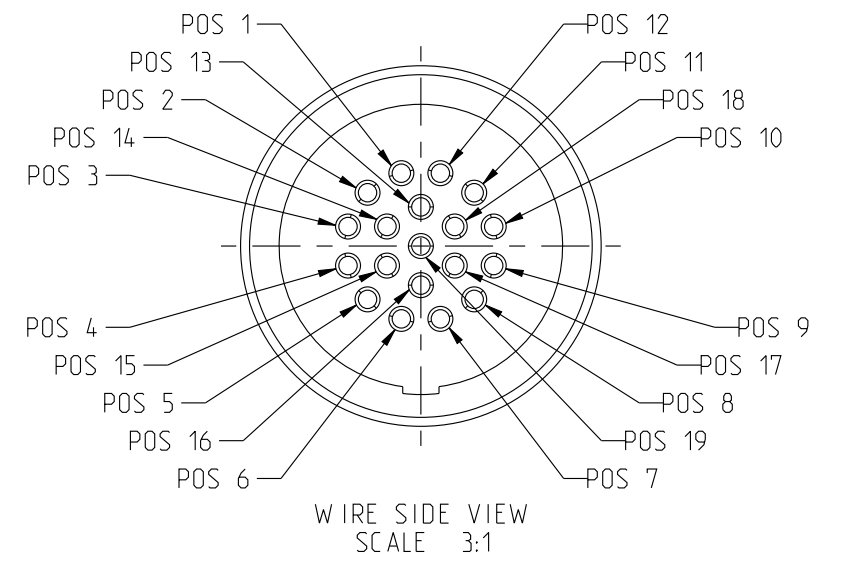
DWG. NO.
JDXCFDFD2T19MSNC



- NOTES:
- WORKMANSHIP STANDARDS AND INSPECTION CRITERIA TO BE IN ACCORDANCE WITH IPC/WHMA-A-620
 - INSPECTION REQUIREMENTS
 - VISUAL
 - DIMENSIONAL
 - AFTER ASSEMBLY, THE FOLLOWING WILL BE PERFORMED ON EACH TERMINATION:
100% CONTINUITY TEST-CHECK FOR SHORTS, OPENS & CONTINUITY BETWEEN ALL CIRCUITS.
 - 3 LABEL TO CONTAIN: SEE BOX.
 - SOURIAU CUSTOMER DRAWING AND ASSEMBLY LABEL MUST HAVE THE SAME REV. LEVEL.



CABLE WIRING DIAGRAM			
CONNECTOR 1	INSULATION COLOR	WIRE SIZE	CONNECTOR 2
1	WHITE	28 AWG	1
2	VIOLET	28 AWG	2
3	RED	SHIELDED 28 AWG	3
4	GREY	SHIELDED 28 AWG	4
5	WHITE/ BLACK	SHIELDED 28 AWG	5
6	WHITE/ RED	SHIELDED 28 AWG	6
7	BROWN	SHIELDED 28 AWG	7
8	BLACK	28 AWG	8
9	BLUE	SHIELDED 32 AWG, TWISTED PAIR	9
10	WHITE	SHIELDED 32 AWG, TWISTED PAIR	10
11	BROWN	SHIELDED 32 AWG	11
12	RED	SHIELDED 32 AWG	12
13	ORANGE	SHIELDED 32 AWG	13
14	YELLOW	SHIELDED 32 AWG	14
15	GREEN	SHIELDED 28 AWG	15
16	BLUE	SHIELDED 28 AWG	16
17	YELLOW	SHIELDED 28 AWG	17
18	ORANGE	SHIELDED 28 AWG	18
19	GREEN	SHIELDED 32 AWG	19
SHELL	OUTER/MAIN SHIELD	BRAIDED	SHELL



LINEAR MEASURE:	
mm (INCH)	mm (INCH)
THIRD ANGLE PROJECTION	
TOLERANCES UNLESS OTHERWISE SPECIFIED	
No. OF PLACES	mm [INCH]
WHOLE PLACE	±3 [±.1]
ONE PLACE	±0.5 [±.02]
TWO PLACES	±0.25 [±.010]
ANGLES ±1°	

DRAWING TITLE CABLE, ACCESSORIES, 19 PINS, 5.5 FEET			
CAT NO. JDXCFDFD2T19MSN			
CAGE NO: 09922	SIZE: C	APPROVAL	
CUSTOMER		DRAWN: SDH	10-22-12
		CHKD: SDH	10-22-12
INTERPRET THIS DRAWING IN ACCORDANCE WITH ASME Y14.5M - 1994		DSGN: SDH	10-22-12
		MFG: DH	10-22-12
www.souriau.com		QC: BB	10-22-12
		DRAWING SCALE: 2:5	
DRAWING NO. JDXCFDFD2T19MSNC		REV	A
1 OF 1		PRO-E	

THE INFORMATION CONTAINED IN THIS DRAWING IS CONFIDENTIAL AND MAY NOT BE DISCLOSED WITHOUT WRITTEN CONSENT FROM SOURIAU USA, INC.

X-ON Electronics

Largest Supplier of Electrical and Electronic Components

Click to view similar products for [Sensor Cables / Actuator Cables](#) category:

Click to view products by [Sunbank](#) manufacturer:

Other Similar products are found below :

[60963](#) [60964](#) [703000D02F2002](#) [703001D02F0602](#) [703001D02F300](#) [704000D02F120](#) [773032K02F030](#) [802027107404-1](#) [802027213811-1](#)
[804001A09M150](#) [805001A09M0502](#) [84914-0235](#) [84914-0237](#) [885030A09M020](#) [8R4J30E03C3003](#) [1200651332](#) [1200651713](#) [1200660844](#)
[1200660845](#) [1200661173](#) [1200680071](#) [1200720053](#) [1200720081](#) [1200720099](#) [1200720217](#) [1200800231](#) [1200860125](#) [1200870123](#)
[1200980102](#) [1200650267](#) [1200650298](#) [1200660183](#) [1200660782](#) [1200660849](#) [1200661295](#) [1200661297](#) [1200661342](#) [1200661343](#)
[1200670080](#) [1200670220](#) [1200680331](#) [1200720252](#) [1200730184](#) [1200860344](#) [1200870359](#) [1200870643](#) [1200980008](#) [1200980031](#)
[1210502211](#) [1210400542](#)