

Sealed Breakaway Connector



Souriau JDX Breakaway Connectors



Key Features

Breakaway design eliminates the need for a manually operated latching system

Mates and un-mates quickly and prevents injury to the user or equipment if the cable becomes entangled.

**Sealed to IP68.
Two shell sizes, 2 to 19 positions.
Contact termination solder & PCB.
Custom cable assemblies.**

Part Numbering System

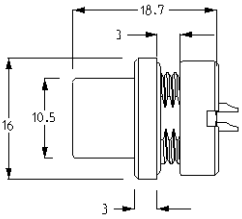
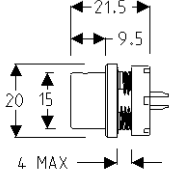
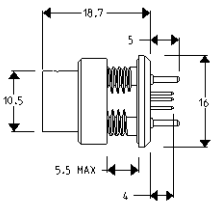
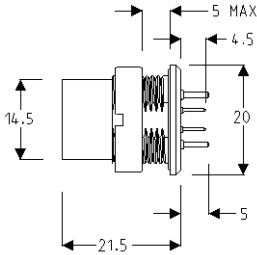
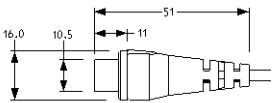
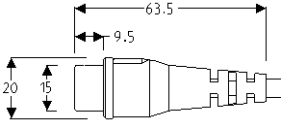
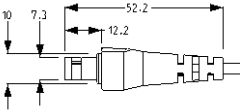
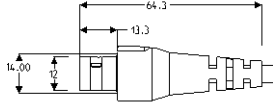
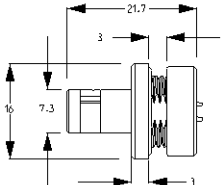
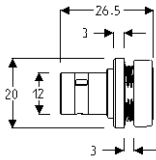
| | | | | | | | | | |
|---------------------|--|-----------|----------|----------|-----------|----------|----------|----------|----------|
| Basic Series | JDX | FD | 2 | T | 05 | M | S | N | R |
| Shell Type | FD-EP-EZ-PC | | | | | | | | |
| Shell Size | 0 - 2 | | | | | | | | |
| Keying | T & U | | | | | | | | |
| Contact Layout | Size 0; 2, 3, 4, 5, 6, 7, 8 Size 2; 2, 3, 4, 5, 6, 7, 8, 10, 12, 16, 18, 19 | | | | | | | | |
| Contact Type | M : pin F : socket | | | | | | | | |
| Contact Termination | S : solder ; P : PCB | | | | | | | | |
| Surface Plating | N : Outer shell, brass alloy with black chrome over nickel S : Outer shell, brass alloy with chrome over nickel | | | | | | | | |
| Orientation | Red dot | | | | | | | | |

FD & PC are only sold as part of a cable assembly.
Contact Souriau for information on custom cable assemblies.

Sealed Breakaway Connector



JDX Shell Styles

| Size 0 | Size 2 |
|---|---|
| EP: Fixed receptacle front panel mounted, fixed flange | EP: Fixed receptacle front panel mounted, fixed flange |
|  |  |
| EZ: Straight PCB mounted receptacle | EZ: Straight PCB mounted receptacle |
|  |  |
| PC: Straight cable mounted receptacle | PC: Straight cable mounted receptacle |
|  |  |
| FD: Straight cable mounted plug | FD: Straight cable mounted plug |
|  |  |
| FA: Front panel mounted plug | FA: Front panel mounted plug |
|  |  |

Sealed Breakaway Connector



Contact Layouts

| Shell Size | Male Insulator Viewed From Wire Side | Contact Layout | Solder | PCB | Contact Diameter mm | Solder Wire MAX | MAX Current Rating | Test Voltage (Vrms) | Working Voltage (Vrms) |
|------------|--------------------------------------|----------------|--------|-----|---------------------|-----------------|--------------------|---------------------|------------------------|
| 0 | | 02 | S | P | 0.9 | 24 | 10 | 1400 | 660/460 |
| | | 03 | S | P | 0.9 | 24 | 8 | 1300 | 600/420 |
| | | 04 | S | P | 0.7 | 26 | 7 | 1400 | 660/460 |
| | | 05 | S | P | 0.7 | 26 | 6.5 | 800 | 400/260 |
| | | 06 | S | P | 0.5 | 30 | 2.5 | 680 | 320/220 |
| | | 07 | S | P | 0.5 | 30 | 2.5 | 680 | 320/220 |
| | | 08 | S | P | 0.5 | 30 | 2.5 | 680 | 320/220 |
| 2 | | 02 | S | | 2 | 16 | 30 | 2100 | 1000/700 |
| | | 03 | S | | 1.6 | 18 | 17 | 1700 | 830/560 |
| | | 04 | S | P | 1.3 | 20 | 15 | 2400 | 1000/800 |
| | | 05 | S | P | 1.3 | 20 | 14 | 1900 | 900/630 |
| | | 06 | S | P | 1.3 | 20 | 12 | 1900 | 900/630 |
| | | 07 | S | P | 1.3 | 20 | 11 | 1500 | 730/500 |
| | | 08 | S | P | 0.9 | 24 | 10 | 1700 | 830/560 |
| | | 10 | S | P | 0.9 | 24 | 8 | 1700 | 830/560 |
| | | 12 | S | P | 0.7 | 26 | 7 | 1700 | 830/561 |
| | | 16 | S | P | 0.7 | 26 | 6 | 1500 | 730/500 |
| | | 18 | S | P | 0.7 | 26 | 5.5 | 1400 | 660/460 |
| | | 19 | S | P | 0.7 | 26 | 5 | 1400 | 660/460 |

Non-removable contacts

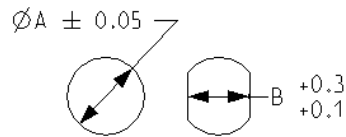
• Voltage Test Procedure

- **The testing voltage** corresponds to the maximum voltage the connector is able to withstand in normal climatic conditions. The value is about 75% of the electrical breakdown voltage. The testing voltage level can be reached several times in connectors life, but never applied for a continuous duration.
- **The working voltage** corresponds to the maximum voltage the connector is able to withstand continuously during its life time, in real environmental conditions, even with high temperature. The value is around 1/3 of the testing voltage.

| Keying Options | |
|----------------|--------|
| Size 0 | Size 2 |
| T & U | T & U |

| Key | T | U |
|--------------------|---|---|
| Plug & Receptacles | | |

Sealed Breakaway Connector



| Size | 0 | 2 |
|------|------|------|
| A | 12.1 | 15 |
| B | 10.6 | 14.6 |

Technical Characteristics

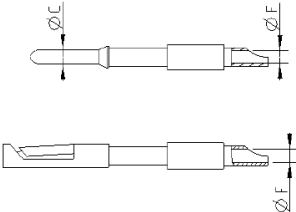
| Component | Material | Standard | Surface Treatment (um) | | |
|----------------|--|--------------|------------------------|-------|-----|
| | | | Cr | Ni | Au |
| Shell | Brass | C38500/C3600 | 0.1 - 0.6 | 5 - 8 | |
| Shell | Aluminum, Contact Souriau for Availability & Part Number | AISI 7075-T6 | 0.1 - 0.6 | 5 - 8 | |
| Nut | Brass | C38500/C3600 | 0.1 - 0.6 | 5 - 8 | |
| Nut | Aluminum, Contact Souriau for Availability & Part Number | AISI 7075-T6 | 0.1 - 0.6 | 5 - 8 | |
| Pin Contact | Brass | C38500/C3600 | | 3 - 5 | 0.5 |
| Socket Contact | Copper Nickel | CAD C 19150 | | 3 - 5 | 0.5 |
| Clip | Beryllium Copper | 17200 | | | |
| Shielding Ring | Copper Alloy (Proprietary) | — | | 3 - 7 | |

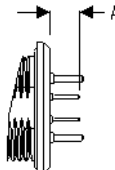
Mechanical, Climatic & Electrical

| Characteristics | Values | Standard | Method |
|-----------------------|--|----------------|----------------------|
| Endurance | >2,500 cycles | Mil-Std-1344A | 2016.1 |
| Insulation resistance | >500M ohm | ANSI-EIA-364-D | 21 |
| EMI Shielding | (60dB min. up to 100MHz) (35dB min. up to 1GHz) | ANSI-EIA-364-D | 66 |
| Thermal Shock | - 40 C to + 125 c 5 cycles | ANSI-EIA-364-D | 32 |
| Mechanical Shock | 300 g, 3ms | ANSI-EIA-364-D | 27 |
| Vibrations | 10 to 2000 HZ y = 15 g | Mil-Std-1344A | 2005.1 |
| Random Vibrations | | ANSI-EIA-364-D | 28, test concision 4 |
| Altitude Immersion | 3 cycles (3*30min), | | 3 |
| Humidity | 240 hours @ 40 C 90%RH | ANSI-EIA-364-D | 31 |
| Resistance to Fluids | Kerosene JP8 (NATO code F34) Gasoline ASTM D 4814* Mineral oil NATO code H515 | ANSI-EIA-364-D | 10 |
| Protection index | IP68 mated & un-mated | IEC 529 | 14.2.8 |
| Operating temperature | - 40 C to + 125 c 5 cycles | | |

Sealed Breakaway Connector



| Solder Contacts2 | | | | | | | | |
|---|---------|------|--|------|-----|---------------------------|-------------------------------|--------------------------|
|  | Contact | | Usable Cables Core Section (mm) AWG | | | Max Current Rating (A) | Contact Resistance (mΩ) | Endurance # of Cycles |
| | C | F | min | max | AWG | | | |
| | 0.5 | 0.5 | — | — | 28 | 5 | 10 | >1,000 |
| | 0.7 | 0.63 | — | 0.3 | 26 | 7 | 5 | >1,000 |
| | 0.9 | 0.8 | — | 0.21 | 24 | 10 | 3.5 | >1,000 |
| | 1.3 | 1.1 | — | 0.6 | 20 | 15 | 3 | >1,000 |
| | 1.6 | 1.5 | — | 0.93 | 18 | 17 | 2.5 | >1,000 |
| | 2 | 1.9 | — | 1.34 | 16 | 30 | 2.5 | >1,000 |

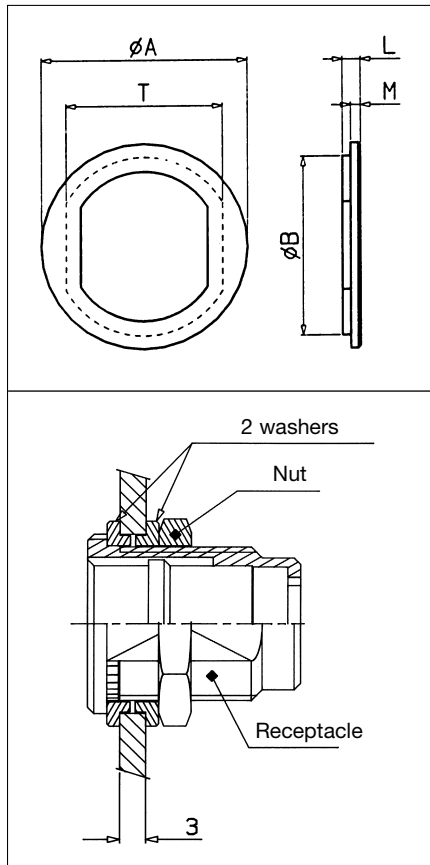
| PCB Contacts | | |
|---|--------------------------------------|----------------------|
|  | 0.5 mm female PCB tail length size 0 | Dimension "L" 4 mm |
| | 0.7 mm female PCB tail length size 0 | Dimension "L" 4 mm |
| | 0.9 mm female PCB tail length size 0 | Dimension "L" 4 mm |
| | 0.7 mm female PCB tail length size 2 | Dimension "L" 6.0 mm |
| | 0.9 mm female PCB tail length size 2 | Dimension "L" 6.0mm |
| | 1.3 mm female PCB tail length size 2 | Dimension "L" 6.0 mm |

Push-Pull connectors



Accessories JBX

• Insulating washer



| Part number | Shell size | Ø A | B | L | M | N | T | E |
|-------------|------------|-----|------|-----|-----|-----|------|------|
| JBX 00 RIN | 00 | 10 | 8.8 | 1.8 | 1 | 0.8 | 8 | 4.4 |
| JBX 0 RI* | 0 | 12 | 10.8 | 1.8 | 1 | 0.8 | 9.9 | 6.4 |
| JBX 1 RI* | 1 | 16 | 13.8 | 1.8 | 1 | 0.8 | 12.2 | 8.4 |
| JBX 2 RI* | 2 | 21 | 17.8 | 2.2 | 1.2 | 0.8 | 16.2 | 8.2 |
| JBX 3 RI* | 3 | 25 | 21.8 | 2.2 | 1.2 | 0.8 | 20.2 | 10.1 |

* Washer colors as protective boots.
In size 00, available only in black.

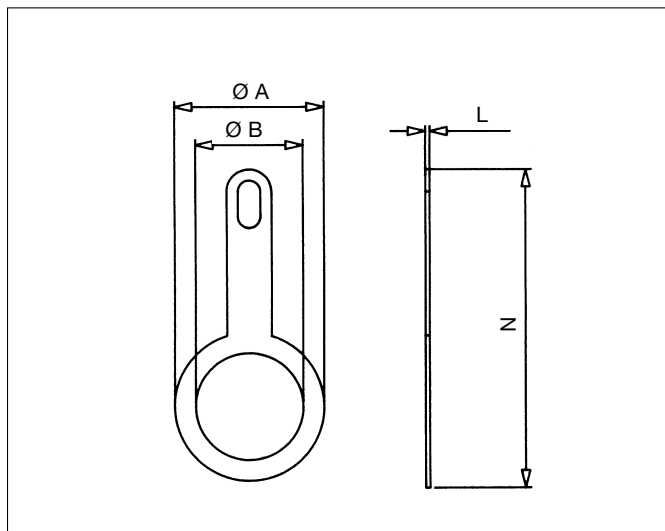
Material : PA 6/6

Working temperature : - 40°C ; + 125°C
- 40°F ; + 257°F

Using 2 washers for receptacle / panel insulating

Be careful : usable for the JAX and JBX series but not for sealed connectors (JKX and sealed JBX size 2).

• Grounding washer



| Part number | Shell size | Dimensions | | | |
|---------------|------------|------------|------|-----|------|
| | | Ø A | Ø B | L | N |
| JAX RA 00 251 | 00 | 10 | 7.2 | 0.3 | 21.5 |
| JAX RA 0 251 | 0 | 13 | 9.1 | 0.3 | 24 |
| JAX RA 1 251 | 1 | 16 | 12.2 | 0.3 | 24 |
| JAX RA 2 251 | 2 | 21 | 15.1 | 0.8 | 35 |
| JAX RA 3 251 | 3 | 25 | 18.1 | 0.8 | 37 |

Material : - Brass
- Nickel plated (3 µm)

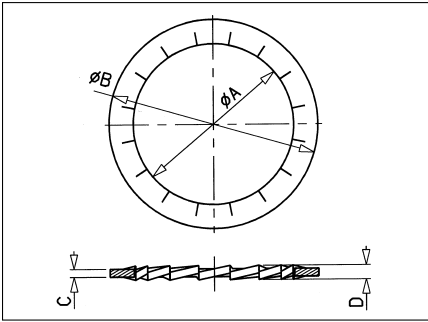
Be careful : usable for the JBX series but not for sealed connectors (JKX and sealed JBX size 2).



Push-Pull connectors

Accessories JBX

• Locking washer



| Part number | Shell size | Dimensions | | | |
|-------------|------------|------------|----------|-----|---|
| | | ϕA | ϕB | C | D |
| JAX RE 00 | 00 | 7.3 | 10 | 0.5 | 1 |
| JAX RE 0 | 0 | 9.2 | 12.5 | 0.6 | 1 |
| JAX RE 1 | 1 | 12.2 | 16 | 0.6 | 1 |

Piece parts JBX-JKX

• Crimp contacts (if ordered separately)

| Shell size | ϕ contact | Part Number | |
|------------|----------------|----------------|----------------|
| | | Crimp pin | Crimp socket |
| 0 | 0.9 | JBX 0 CT MC 09 | JBX 0 CT FC 09 |
| | 0.7 | JBX 0 CT MC 07 | JBX 0 CT FC 07 |
| 1 | 1.3 | JBX 1 CT MC 13 | JBX 1 CT FC 13 |
| | 0.9 | JBX 1 CT MC 09 | JBX 1 CT FC 09 |
| | 0.7 | JBX 1 CT MC 07 | JBX 1 CT FC 07 |
| 2 | 2 | JBX 2 CT MC 20 | JBX 2 CT FC 20 |
| | 1.6 | JBX 2 CT MC 16 | JBX 2 CT FC 16 |
| | 1.3 | JBX 2 CT MC 13 | JBX 2 CT FC 13 |
| | 0.9 | JBX 2 CT MC 09 | JBX 2 CT FC 09 |
| | 0.7 | JBX 2 CT MC 07 | JBX 2 CT FC 07 |
| 3 | 2 | JBX 3 CT MC 20 | JBX 3 CT FC 20 |
| | 1.6 | JBX 3 CT MC 16 | JBX 3 CT FC 16 |
| | 1.3 | JBX 3 CT MC 13 | JBX 3 CT FC 13 |
| | 0.9 | JBX 3 CT MC 09 | JBX 3 CT FC 09 |
| | 0.7 | JBX 3 CT MC 07 | JBX 3 CT FC 07 |

• Solder contacts (if ordered separately)

| Shell size | ϕ contact | Part Number | |
|------------|----------------|----------------|----------------|
| | | Solder pin | Solder socket |
| 0 | 0.9 | JBX 0 CT MS 09 | JBX 0 CT FS 09 |
| 1 | 1.3 | JBX 1 CT MS 13 | JBX 1 CT FS 13 |
| | 0.9 | JBX 1 CT MS 09 | JBX 1 CT FS 09 |
| 2 | 2 | JBX 2 CT MS 20 | JBX 2 CT FS 20 |
| | 1.6 | JBX 2 CT MS 16 | JBX 2 CT FS 16 |
| | 1.3 | JBX 2 CT MS 13 | JBX 2 CT FS 13 |
| | 0.9 | JBX 2 CT MS 09 | JBX 2 CT FS 09 |
| 3 | 2 | JBX 3 CT MS 20 | JBX 3 CT FS 20 |
| | 1.6 | JBX 3 CT MS 16 | JBX 3 CT FS 16 |
| | 1.3 | JBX 3 CT MS 13 | JBX 3 CT FS 13 |
| | 0.9 | JBX 3 CT MS 09 | JBX 3 CT FS 09 |

Solder contacts of 0.5 mm and 0.7 mm of diameter not available separately (always fixed into the insulator).

Push-Pull connectors



Piece parts JBX-JKX

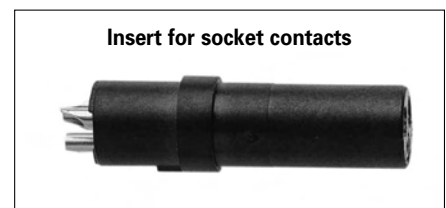
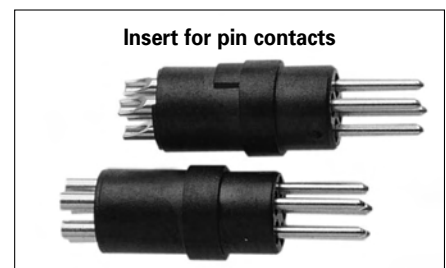
- Inserts for removable solder and crimp contacts (if ordered separately)

| Shell size | Insert | Insert Part Number | |
|------------|--------|--------------------|-----------------|
| | | Pin contacts | Socket contacts |
| 0 | 02 | JBX 0 BI 02 MS | JBX 0 BI 02 FS |
| | 03 | JBX 0 BI 03 MS | JBX 0 BI 03 FS |
| | 04 | JBX 0 BI 04 MS | JBX 0 BI 04 FS |
| | 05 | JBX 0 BI 05 MS | JBX 0 BI 05 FS |
| 1 | 02 | JBX 1 BI 02 MS | JBX 1 BI 02 FS |
| | 03 | JBX 1 BI 03 MS | JBX 1 BI 03 FS |
| | 04 | JBX 1 BI 04 MS | JBX 1 BI 04 FS |
| | 05 | JBX 1 BI 05 MS | JBX 1 BI 05 FS |
| | 06 | JBX 1 BI 06 MS | JBX 1 BI 06 FS |
| | 07 | JBX 1 BI 07 MS | JBX 1 BI 07 FS |
| 2 | 02 | JBX 2 BI 02 MS | JBX 2 BI 02 FS |
| | 03 | JBX 2 BI 03 MS | JBX 2 BI 03 FS |
| | 04 | JBX 2 BI 04 MS | JBX 2 BI 04 FS |
| | 05 | JBX 2 BI 05 MS | JBX 2 BI 05 FS |
| | 06 | JBX 2 BI 06 MS | JBX 2 BI 06 FS |
| | 07 | JBX 2 BI 07 MS | JBX 2 BI 07 FS |
| | 08 | JBX 2 BI 08 MS | JBX 2 BI 08 FS |
| | 10 | JBX 2 BI 10 MS | JBX 2 BI 10 FS |
| | 12 | JBX 2 BI 12 MS | JBX 2 BI 12 FS |
| | 16 | JBX 2 BI 16 MS | JBX 2 BI 16 FS |
| 3 | 03 | JBX 3 BI 03 MS | JBX 3 BI 03 FS |
| | 04 | JBX 3 BI 04 MS | JBX 3 BI 04 FS |
| | 07 | JBX 3 BI 07 MS | JBX 3 BI 07 FS |
| | 10 | JBX 3 BI 10 MS | JBX 3 BI 10 FS |
| | 14 | JBX 3 BI 14 MS | JBX 3 BI 14 FS |
| | 18 | JBX 3 BI 18 MS | JBX 3 BI 18 FS |
| | 22 | JBX 3 BI 22 MS | JBX 3 BI 22 FS |
| | 30 | JBX 3 BI 30 MS | JBX 3 BI 30 FS |



- Inserts with fixed solder contacts (if ordered separately)

| Shell size | Insert | Insert Part Number | |
|------------|--------|--------------------|------------------|
| | | Pin contacts | Socket contacts |
| 00 | 04 | JBX 00 BI 04 MPS | JBX 00 BI 04 FPS |
| 0 | 04 | JBX 0 BI 04 MSS | JBX 0 BI 04 FSS |
| | 05 | JBX 0 BI 05 MSS | JBX 0 BI 05 FSS |
| | 06 | JBX 0 BI 06 MPS | JBX 0 BI 06 FPS |
| 1 | 07 | JBX 0 BI 07 MPS | JBX 0 BI 07 FPS |
| | 07 | JBX 1 BI 07 MSS | JBX 1 BI 07 FSS |
| | 08 | JBX 1 BI 08 MSS | JBX 1 BI 08 FSS |
| 2 | 10 | JBX 1 BI 10 MPS | JBX 1 BI 10 FPS |
| | 12 | JBX 2 BI 12 MSS | JBX 2 BI 12 FSS |
| | 16 | JBX 2 BI 16 MSS | JBX 2 BI 16 FSS |
| | 18 | JBX 2 BI 18 MSS | JBX 2 BI 18 FSS |
| | 19 | JBX 2 BI 19 MSS | JBX 2 BI 19 FSS |
| 3 | 22 | JBX 3 BI 22 MSS | JBX 3 BI 22 FSS |
| | 30 | JBX 3 BI 30 MSS | JBX 3 BI 30 FSS |



Push-Pull connectors

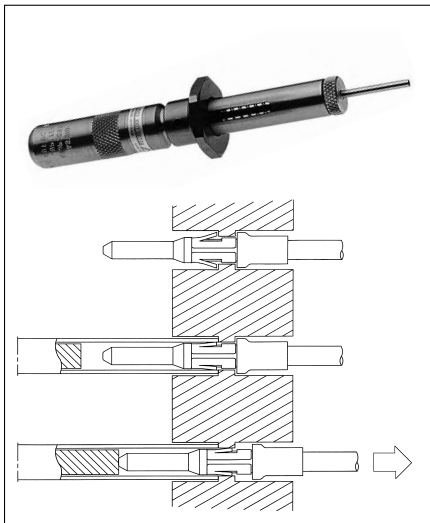


Toolings JBX - JKX

• Manual extraction tools

Contacts automatically extracted

The extraction tool is similar for both male and female contacts.



| Shell size | ∅ Contacts | SOURIAU Part number | ASTRO Part number |
|------------|------------|---------------------|-------------------|
| 0 | 0.7 | JBX OUT DC 07 | ATJP 2045 |
| | 0.9 | JBX OUT DC 09 | ATJP 2057 |
| 1 | 0.7 | JBX OUT DC 07 | ATJP2045 |
| | 0.9 | JBX OUT DC 09 | ATJP 2057 |
| | 1.3 | JBX OUT DC 13 | ATJP 2077 |
| 2 | 0.7 | JBX OUT DC 07 | ATJP 2045 |
| | 0.9 | JBX OUT DC 09 | ATJP 2057 |
| | 1.3 | JBX OUT DC 13 | ATJP 2077 |
| | 1.6 | JBX OUT DC 16 | ATJP 2095 |
| | 2.0 | JBX OUT DC 20 | ATJP 2115 |
| 3 | 0.7 | JBX OUT DC 07 | ATJP 2045 |
| | 0.9 | JBX OUT DC 09 | ATJP 2057 |
| | 1.3 | JBX OUT DC 13 | ATJP 2077 |
| | 1.6 | JBX OUT DC 16 | ATJP 2095 |
| | 2.0 | JBX OUT DC 20 | ATJP 2115 |

The contact is automatically extracted without the need of pulling onto the cable.

Push-Pull connectors



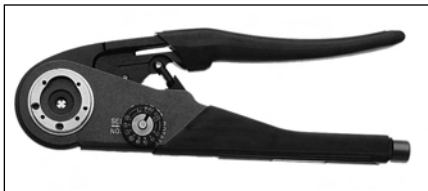
Toolings JBX - JKX

• Crimping tool



Specifications MIL-C-22520 / 7.01

| Contacts 0.7 mm - 0.9 mm and 1.3 mm | MIL P/N - SOURIAU P/N | Supplier P/N |
|--|-----------------------|---------------------------------------|
| | MIL-22520/7-01 | Daniels : MH860 Buchanan : 616 336 |



Specifications MIL-C-22520 / 1.01

| Contacts 1.6 mm and 2 mm | MIL P/N - SOURIAU P/N | Supplier P/N |
|-----------------------------|-----------------------|-------------------------------------|
| | MIL-22520/1-01 | Daniels : AF8 Buchanan : 615 708 |

• Locator for pin and socket 0.7 - 0.9 mm and 1.3 mm contacts



| Shell size | Ø contacts | AWG | Male contact | | | Female contact | | |
|------------|------------|--------------|----------------|-------------|-----------|----------------|-------------|-----------|
| | | | SOURIAU P/N | DANIELS P/N | ASTRO P/N | SOURIAU P/N | DANIELS P/N | ASTRO P/N |
| 0 | 0.7 | 22 - 24 - 26 | JBX 0 OUT LP07 | 86 - 223 | / | JBX 0 OUT LS07 | 86 - 224 | / |
| | 0.9 | 20 - 22 - 24 | JBX 0 OUT LP09 | 86 - 225 | / | JBX 0 OUT LS09 | 86 - 226 | / |
| 1 | 0.7 | 22 - 24 - 26 | JBX 1 OUT LP07 | 86 - 196 | 642 - 001 | JBX 1 OUT LS07 | 86 - 197 | 642 - 004 |
| | 0.9 | 20 - 22 - 24 | JBX 1 OUT LP09 | 86 - 198 | 642 - 002 | JBX 1 OUT LS09 | 86 - 199 | 642 - 005 |
| | 1.3 | 18 - 20 - 22 | JBX 1 OUT LP13 | 86 - 200 | 642 - 003 | JBX 1 OUT LS13 | 86 - 201 | 642 - 006 |
| 2 | 0.7 | 22 - 24 - 26 | JBX 2 OUT LP07 | 86 - 202 | 642 - 007 | JBX 2 OUT LS07 | 86 - 203 | 642 - 010 |
| | 0.9 | 20 - 22 - 24 | JBX 2 OUT LP09 | 86 - 204 | 642 - 008 | JBX 2 OUT LS09 | 86 - 205 | 642 - 011 |
| | 1.3 | 18 - 20 - 22 | JBX 2 OUT LP13 | 86 - 206 | 642 - 009 | JBX 2 OUT LS13 | 86 - 207 | 642 - 012 |
| 3 | 0.7 | 22 - 24 - 26 | JBX 3 OUT LP07 | 86 - 217 | 642 - 014 | JBX 3 OUT LS07 | 86 - 214 | 642 - 017 |
| | 0.9 | 20 - 22 - 24 | JBX 3 OUT LP09 | 86 - 218 | 642 - 015 | JBX 3 OUT LS09 | 86 - 215 | 642 - 018 |
| | 1.3 | 18 - 20 - 22 | JBX 3 OUT LP13 | 86 - 219 | 642 - 016 | JBX 3 OUT LS13 | 86 - 216 | 642 - 019 |

• Turret with locator for pin and socket 1.6 mm and 2 mm contacts



| Shell size | Ø contacts | AWG | Male and female contacts | | |
|------------|------------|--------------|--------------------------|-------------|-----------|
| | | | SOURIAU P/N | DANIELS P/N | ASTRO P/N |
| 2 | 1.6 | 14 - 16 - 18 | JBX 2 OUT LT16 | TH 564 | 650 - 030 |
| | 2 | 12 - 14 - 16 | JBX 2 OUT LT20 | TH 565 | 650 - 031 |
| 3 | 1.6 | 14 - 16 - 18 | JBX 3 OUT LT16 | TH 566 | 650 - 038 |
| | 2 | 12 - 14 - 16 | JBX 3 OUT LT20 | TH 567 | 650 - 035 |

Custom Connector and Cable Assemblies



Examples of custom designs derivated from standard connectors lines

- **Watertight receptacles**



- **JBX series**, Custom Receptacle Design

- **Black conductive plating**



- **JKX series**, black chrome plating

X-ON Electronics

Largest Supplier of Electrical and Electronic Components

Click to view similar products for [Circular Push Pull Connectors](#) category:

Click to view products by [Sunbank](#) manufacturer:

Other Similar products are found below :

[6407-249V-11273P](#) [6408-201V-13273](#) [6408-202V-13343](#) [6408-202V-17343](#) [EZG.0B.309.CLN](#) [FFA.2S.310.ZLA](#) [FGJ.1B.304.CLLD76](#)
[FGJ.1B.306.CWLD72](#) [FGJ.3B.304.CYMD10Z](#) [FGJ.3B.304.CYMD82Z](#) [FHG.1B.303.CY CZ](#) [PCS.01.250.DLLE24](#) [PHG.0K.305.CYMC40Z](#)
[PHG.1K.308.CLLK85](#) [PKG.M0.6BL.LZ](#) [PLC.M1.0SL.LA](#) [GMA.10.290.DN](#) [GMA.3B.090.DA](#) [PRG.M0.6GL.LC52GZ](#) [PSA.1S.275.CTLC66](#)
[ABF.1S.250.NTA](#) [133020F](#) [1331ER193MZ](#) [1332M107MZ](#) [DTS26Z19-32JA-LC](#) [DTS26Z19-32SA](#) [DTS26Z19-32SA-LC](#) [EAJ.1B.306.CWA](#)
[ECG.XB.312.CLL](#) [1589430-2](#) [EEA.0B.305.CLN](#) [EEA.0B.309.CLL](#) [ELF.00.250.NTL](#) [ERA.01.250.DLL](#) [BRR.2S.200.PZVG](#) [HR10A-P](#)
[CAH.M34.SLL.C72GZ](#) [CAJ.M34.SLL.C72GZ](#) [300500](#) [ESB.00.303.NLL](#) [EXG.0B.309.HLN](#) [FFB.1S.250.CLAC27](#) [FGA.2B.306.CYCD92](#)
[FGA.2B.306.CYCD92Z](#) [FGJ.3B.308.CLLD72Z](#) [FHG.1B.303.CYCD62](#) [FLC.00.250.CTAC27](#) [FLC.00.250.CTAC31](#) [PCS.01.250.DLLE31](#)
[PKA.M1.0TL.LG](#)