

Size 16 MULTIPIECE coaxial contacts for TRIM TRIO connectors

Description

Size 16 RMDX/RCDX Multipiece .063" (1.6mm) diameter contacts are subminiature coaxial contacts to cover a wide range of subminiature coaxial and twisted pair cables.

They are suitable in applications where a mix of signal, power and coaxial cable terminations for low frequency, shielded signal and high frequency applications are needed.

The contact consists of an inner pin/socket and an outer male/female body.

The thermoplastic insulating bushing in the outer body is designed to accept and permanently retain the inner contact.

The outer ferrule holds the outer braid to the outer contact and acts as an insulating support to ensure against bending and vibrating stresses.

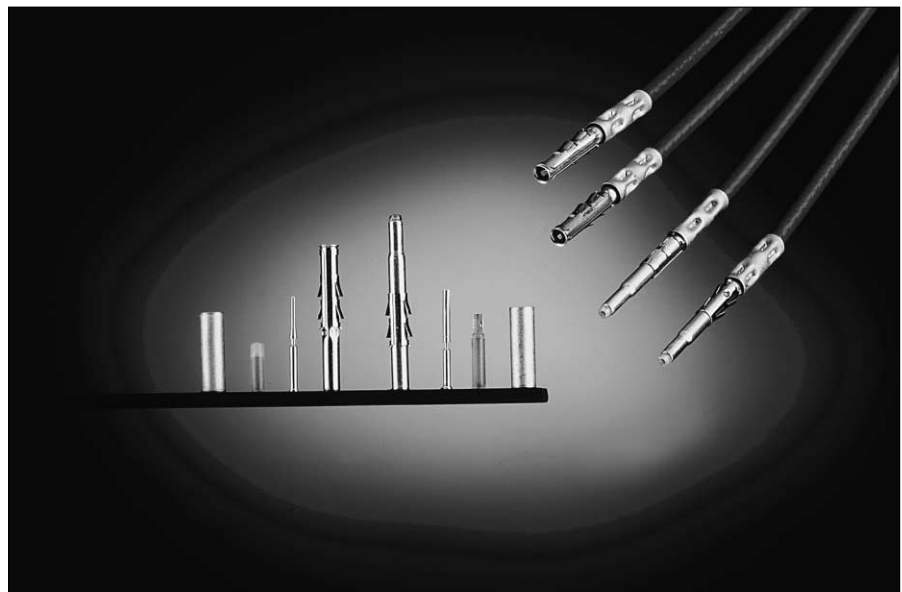
The inner and the outer conductor are crimped individually, thereby enabling inspection of both critical crimp points.

Features and benefits

- The inner and outer conductors are crimped individually
- The thermoplastic insulating bushing in the outer body is designed to accept and permanently retain the inner contact.
- Outer ferrule holds the outer braid to the outer contact and acts as an insulating support to ensure against bending and vibration.

Performance characteristics

| | |
|--|-----------------|
| Operating voltage between inner / outer contact: | 230 VDC |
| Test potential between inner / outer contact | 750 VAC 1 min. |
| Operating temperature: | -55°C to +125°C |
| Contact retention in body: | 65 N min. |
| Contact voltage drop at 1A: | 25m V max. |
| Isolation at 30 MHz: | 140 db. |



Construction

Inner and outer contacts: High conductive copper alloy

Retaining spring: beryllium copper

Insulating bushing: Polyamide 6.6

Plating table

Retaining spring: Nickel plated

Inner and outer contacts:

D28: 0.75 µ Gold min. over Nickel

Connector accommodation

Any TRIM TRIO contact can be used in any contact position in any connector in the TRIM TRIO interconnection system.

- MS-M/ MSG Rectangular connectors
- SMS Qikmate
- UT-Bantam
- UTG Metalok bantam
- UTP Full plastic bantam
- MBG Bantamate II

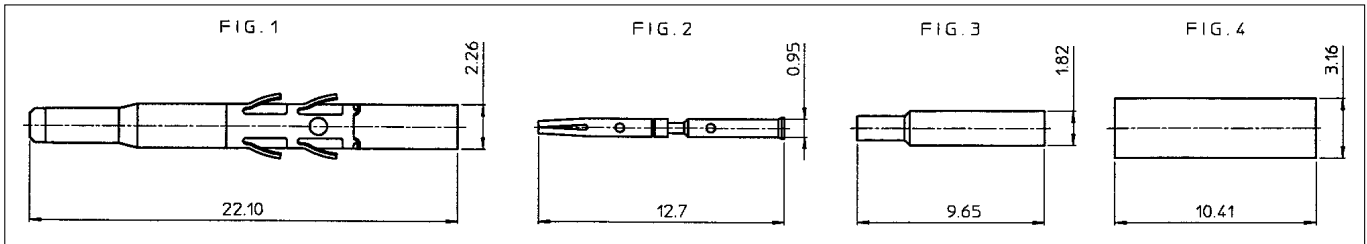
How to order

| | RMDX RCDX | K10 K1 | D28 D28 |
|----------------------------|--|-----------|------------|
| Contact type: | RMDX = Male subminiature coax. RCDX = Female subminiature coax. | | |
| Multipiece coax kit | K10 = Kit male coax. K1 = Kit female coax | | |
| Plating indication | | | |

RMDX/RCDX



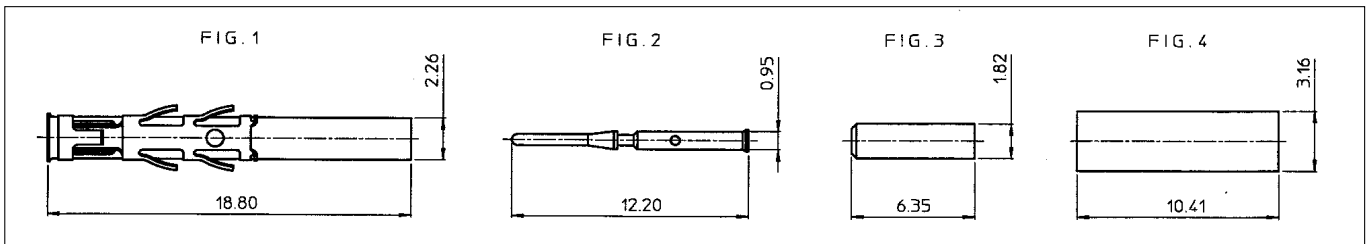
MULTIPIECE Subminiature coax - Male contact for coaxial cable



| Type of coaxial cable | Contact for inner conductor | | | | Contact for outer braid | | | | | | Extrac tool |
|--|-----------------------------|------|------------------|--------------|-------------------------|-----|-------------|-----|------------------|--------------|---------------|
| | Inner female contact | | Crimp tool M10S1 | | Outer male contact | | Hyring | | Crimp tool M10S1 | | |
| | Part number | Fig. | Die Set | Stop Bushing | Part number | Fig | Part number | Fig | Die Set | Stop Bushing | |
| RG161U RG179A/U RG179B/U RG187U | RFD26L1D28 | 2 | S23D2 | SL46D2 | RMDX602D28 | 1 | YOC074 | 4 | S22-1 | SL47-1 | RX2025 GE1 |
| S26D2 | | | YOC074 | | | | 4 | | | | |
| YOC074 + RMDXB0553 | | | 4 3 | | | | | | | | |
| RG174/U RG188/U Amphenol 21-598 RG178A/U RG196U | | | S23D2 | | | | | | | | RX16D11 D1 |

Kit reference RMDXK10D28 includes RMDX602D28 + RFD26L1D28 + YOC074 + RMDXB0553 and are packed in plastic bag.

MULTIPIECE Subminiature coax - Female contact for coaxial cable



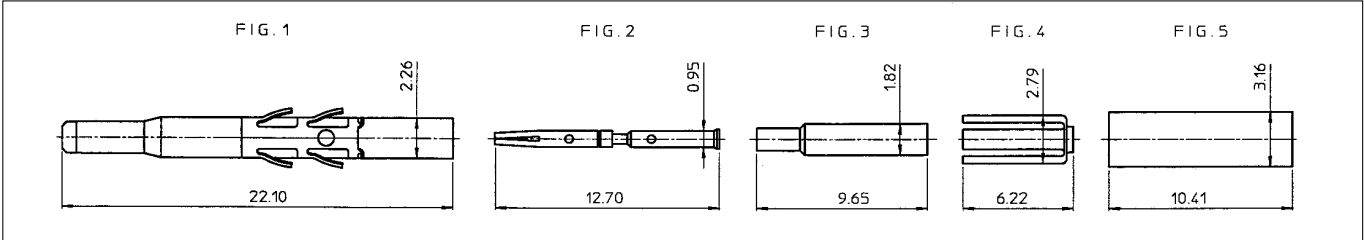
| Type of coaxial cable | Contact for inner conductor | | | | Contact for outer braid | | | | | | Extrac tool |
|--|-----------------------------|------|--------------------------|--------------|-------------------------|-----|-------------|-----|------------------|--------------|---------------|
| | Inner male contact | | Crimp tool M10S1 | | Outer female contact | | Hyring | | Crimp tool M10S1 | | |
| | Part number | Fig. | Die Set | Stop Bushing | Part number | Fig | Part number | Fig | Die Set | Stop Bushing | |
| RG161U RG179A/U RG179B/U RG187U | RMD26L1D28 | 2 | S23D2 | SL46D2 | RCDX602D28 | 1 | YOC074 | 4 | S22-1 | SL47-1 | RX2025 GE1 |
| S26D2 | | | YOC074 | | | | 4 | | | | |
| S23D2 | | | YOC074 + RCDXB0551 | | | | 4 3 | | | | |
| RG174/U RG188/U Amphenol 21-598 RG178A/U RG196U | | | S23D2 | | | | | | | | RX16D11 D1 |

Kit reference RCDXK1D28 includes RCDX602D28 + RMD26L1D28 + YOC074 + RCDXB0551 and are packed in plastic bag.

RMDX/RCDX

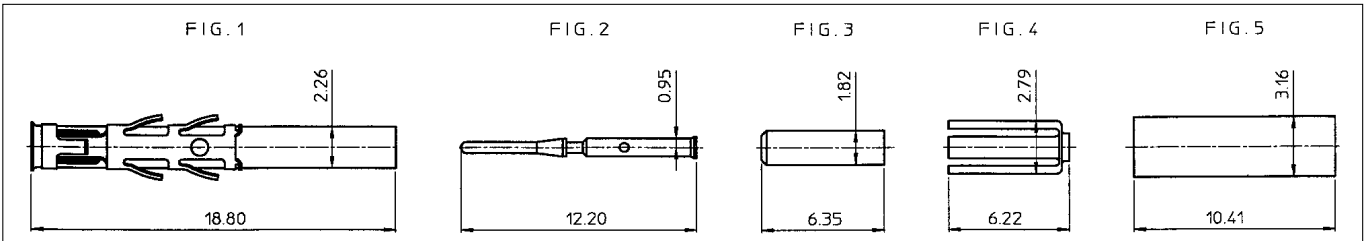


MULTIPIECE Subminiature coax - Male contact for twisted pair cable



| Type of coaxial cable | Contact for inner conductor | | | | Contact for outer braid | | | | | | Extrac tool | |
|--|-----------------------------|------|------------------|--------------|-------------------------|-----|-------------|-----|------------------|--------------|--------------------------------------|--------------------------------------|
| | Inner female contact | | Crimp tool M10S1 | | Outer male contact | | Hyring | | Crimp tool M10S1 | | | |
| | Part number | Fig. | Die set | Stop bushing | Part number | Fig | Part number | Fig | Die set | Stop bushing | | |
| 2 #24 solid or stranded 2 #26 str | RFD26L1D28 | 2 | S26D2 | SL46D2 | RMDX602D28 | 1 | YORX090 | 4 | S221 | SL471 | RX2025 GE1 or RX16D11D1 | |
| YOC074 | | | | | | | 5 | | | | | |
| RMDXB0553 | | | | | | | 3 | | | | | |
| 2 #24 7/0,20 str. MIL-W-76 or MIL-W-16878 type B | RFD26L1D28 | 2 | S26D2 | SL46D2 | RMDX602D28 | 1 | YORX090 | 4 | S221 | SL471 | | RX2025 GE1 or RX16D11D1 |
| YOC074 | | | | | | | 5 | | | | | |
| RMDXB0554 | | | | | | | 3 | | | | | |
| #28 per MIL-W- 81822/3 | RFD26L1D28 | 2 | S26D2 | SL46D2 | RMDX602D28 | 1 | YORX090 | 4 | S221 | SL471 | RX2025 GE1 or RX16D11D1 | |
| YOC074 | | | | | | | 5 | | | | | |
| RMDXB0553 | | | | | | | 3 | | | | | |

MULTIPIECE Subminiature coax - Female contact for twisted pair cable



| Type of coaxial cable | Contact for inner conductor | | | | Contact for outer braid | | | | | | Extrac tool | |
|--|-----------------------------|------|------------------|--------------|-------------------------|-----|-------------|-----|------------------|--------------|--------------------------------------|--------------------------------------|
| | Inner male contact | | Crimp tool M10S1 | | Outer female contact | | Hyring | | Crimp tool M10S1 | | | |
| | Part number | Fig. | Die set | Stop bushing | Part number | Fig | Part number | Fig | Die set | Stop bushing | | |
| 2 #24 solid or stranded 2 #26 str | RMD26L1D28 | 2 | S26D2 | SL46D2 | RCDX602D28 | 1 | YORX090 | 4 | S221 | SL471 | RX2025 GE1 or RX16D11D1 | |
| YOC074 | | | | | | | 5 | | | | | |
| RCDXB0551 | | | | | | | 3 | | | | | |
| 2 #24 7/0,20 str. MIL-W-76 or MIL-W-16878 type B | RMD26L1D28 | 2 | S26D2 | SL46D2 | RCDX602D28 | 1 | YORX090 | 4 | S221 | SL471 | | RX2025 GE1 or RX16D11D1 |
| YOC074 | | | | | | | 5 | | | | | |
| RCDXB0552 | | | | | | | 3 | | | | | |
| #28 per MIL-W- 81822/3 | RMD26L1D28 | 2 | S26D2 | SL46D2 | RCDX602D28 | 1 | YORX090 | 4 | S221 | SL471 | RX2025 GE1 or RX16D11D1 | |
| YOC074 | | | | | | | 5 | | | | | |
| RCDXB0551 | | | | | | | 3 | | | | | |



Size 16 monocrimp coaxial contacts for TRIM TRIO connectors

Description

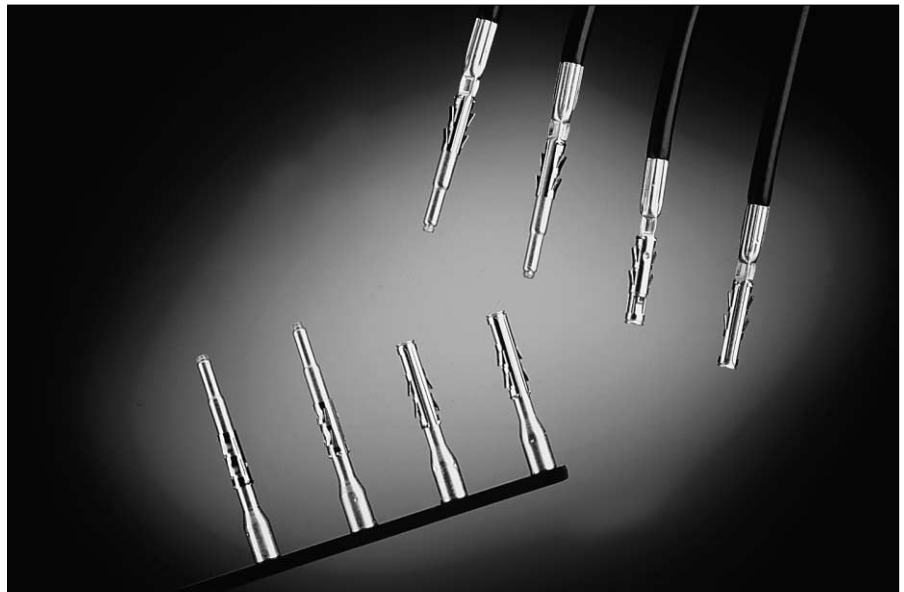
Size 16 RMDX/RCDX Monocrimp .063" (1.6mm) diameter contacts are one-piece monocrimp subminiature coaxial contacts to cover a wide range of subminiature coaxial and twisted pair cables. They provide cost effective solutions in applications where a mix of signal, power and coaxial cable terminations for low frequency, shielded signal and high frequency applications are needed. Monocrimp one piece coaxial contacts offer high reliability plus the economic advantage of a 95% reduction in installation time over conventional assembly methods currently in use.

Features and benefits

- The monocrimp one-piece coaxial contacts offer high reliability plus the economic advantage of a 95% reduction in installation time over conventional assembly methods.
- This economy is achieved by simultaneously crimping of both the inner and outer conductor

Performance characteristics

| | |
|--|-----------------|
| Operating voltage between inner / outer contact: | 230 VDC |
| Test potential between inner / outer contact | 450 VAC 1 min. |
| Operating temperature: | -55°C to +125°C |
| Contact retention in body: | 65 N min. |
| Contact voltage drop a 1A: | 30m V max. |
| Isolation at 30 MHZ: | 140 db. |



Construction

Inner and outer contacts: High conductive copper alloy

Retaining spring: beryllium copper

Insulating bushing: Polyamide 6.6

Plating table

Retaining spring: Nickel plated

Inner and outer contacts:

D28: 0.75µ Gold min. over Nickel

Connector accommodation

Any TRIM TRIO contact can be used in any contact position in any connector in the TRIM TRIO interconnection system.

- MS-M/MSG Rectangular connectors
- SMS Qikmate
- UT-Bantam
- UTG Metalok bantam
- UTP Full plastic bantam
- MBG Bantamate II

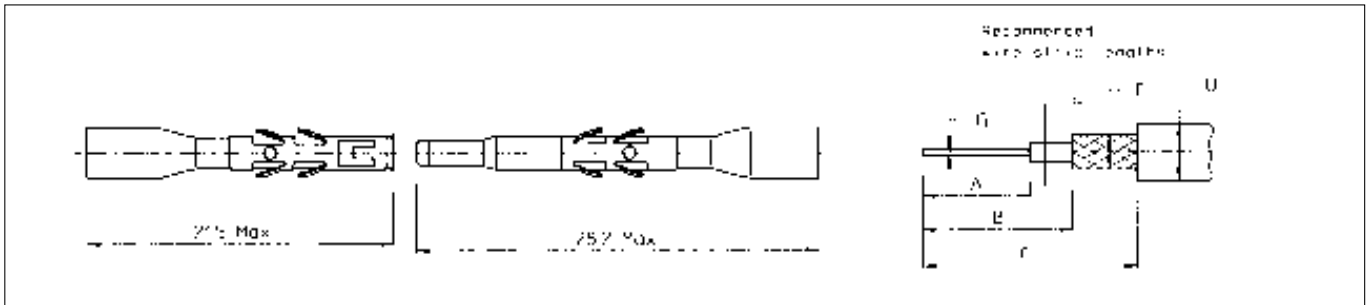
How to order

| | | | |
|-----------------------------------|--|-----------|------------|
| | RMDX60 | 36 | D28 |
| | RCDX60 | 36 | D28 |
| Contact type: | RMDX = Male subminiature coax. RCDX = Female subminiature coax. | | |
| Monocrimp design variation | | | |
| Plating indication | | | |

RMDX/RCDX

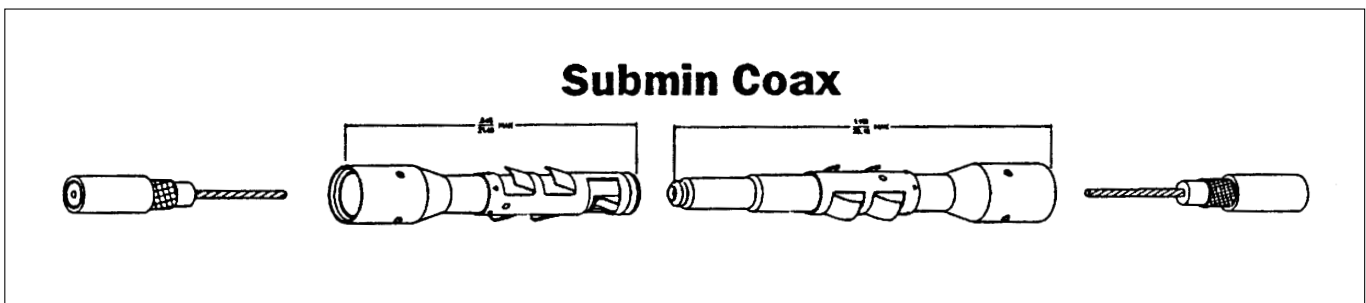


MONOCRIMP Subminiature coax



| Part number | AWG inner conduct. | Cable type | Coax dimensions | | | | Coax strip lengths | | | Crimp tool M10S1 | | Extraction tool | | | |
|----------------------------|--------------------|------------|-----------------|------|------|----------------------|--------------------|------|------|-------------------|------------------------|----------------------------------|-----|-------|----|
| | | | D max | E | F | G | A | B | C | Die set not incl. | stop bushing not incl. | | | | |
| RMDX6050D28 RCDX6050D28 | 30 | - | 2.64 | 2.11 | 1.70 | 0.30 | 5.1 | 6.35 | 8.9 | S80 | SL105 | RX2025GE1 OR RX16D11D1 | | | |
| RMDX6050D28 RCDX6050D28 | | - | 2.29 | 1.63 | 1.22 | 4.2 | 8.5 | | S87 | | | | | | |
| RMDX6032D28 RCDX6032D28 | 28 | - | 2.90 | 2.29 | 1.91 | 0.38 | 5.1 | | 11.7 | S80 | | | S82 | | |
| RMDX6024D28 RCDX6024D28 | - | 1.78 | 1.37 | 0.97 | 0.48 | 11.7 | | | S80 | | | | | | |
| RMDX6032D28 RCDX6032D28 | 26 | RG174/U | 2.92 | 2.24 | 1.52 | 0.48 | 5.1 | | 6.35 | 11.7 | | | S80 | SL105 | OR |
| RMDX6026D28 RCDX6026D28 | | - | 3.05 | 2.44 | 1.96 | 0.41 | | | | | | | S82 | | |
| RMDX6036D28 RCDX6036D28 | | RG188A/U | 2.79 | 1.98 | 1.52 | 0.51 | | | | | | | S80 | | |
| RMDX6036D28 RCDX6036D28 | | RG316/U | 2.72 | | | 0.51 | | | | S80 | | | | | |
| RMDX6018D28 RCDX6018D28 | | - | 2.62 | 0.53 | 8.9 | M10SG8* crimping kit | | | | | | | | | |
| RMDX6018D28 RCDX6018D28 | | 26 | 2.34 | 1.70 | 1.27 | | | | | 0.64 | | | | | |

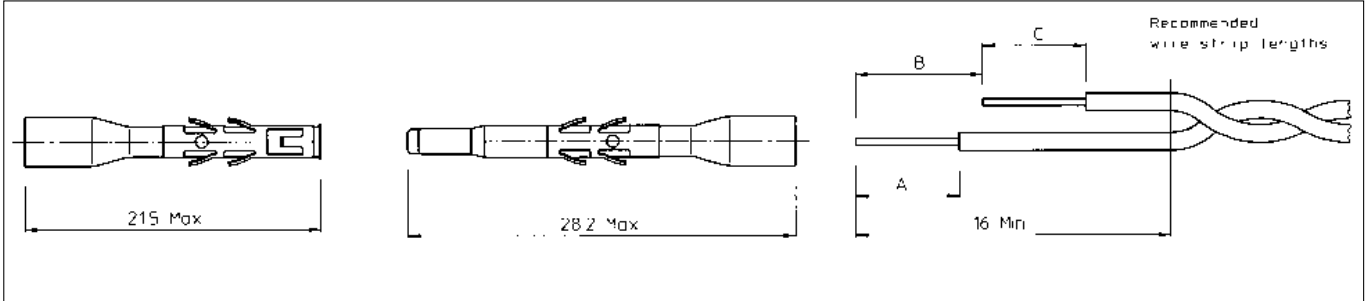
* M10SG8 consists of die set, stop bushing and M10S1 tool



RMDX/RCDX

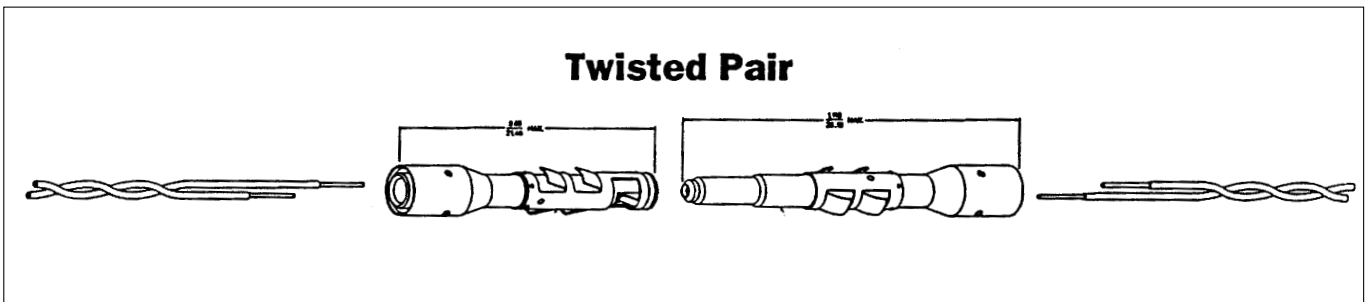


MONOCRIMP Twisted pair



| Part number | | AWG inner conduct. | Dia. outer jacket (single wire) | Cable strip lengths | | | Crimp tool M10S1 | | Extraction tool |
|-------------|--------|--------------------|---------------------------------|---------------------|-----|-----|----------------------|-------------------------|------------------------|
| Male | Female | | | A | B | C | Die set not incl. | Stop bushing not. incl. | |
| RMDX6019D28 | | 26 (19 x 0.10) | 1.25 | 4.7 | 6.0 | 4.0 | M10SG8* Crimping kit | | RX2025GE1 or RX16D11D1 |
| RCDX6019D28 | | 24 (7 x 0.20) | 1.25 | | | | | | |
| RMDX6031D28 | | 24 (19 x 0.13) | 1.45 | | | | S80 | SL105 | |
| RCDX6031D28 | | 26 (7 x 0.16) | 0.70 | | | | | | |

* M10SG8 consist of die set, stop bushing and M10S1 tool.



X-ON Electronics

Largest Supplier of Electrical and Electronic Components

Click to view similar products for [Standard Circular Contacts](#) category:

Click to view products by [Sunbank](#) manufacturer:

Other Similar products are found below :

[RC16M23J](#) [133780-1](#) [RM20M13D28](#) [RM24M9D28](#) [RMMX110-1D28](#) [MS3474W10-6P L/C](#) [ELVP16100E](#) [164-901-CD](#) [EN3545007SCE](#)
[BV002BSQ20049CZ](#) [BV002SSQ160404CZ](#) [1900ND05S1B00B](#) [166566-1](#) [1900ND04S1X00D](#) [ST-JL05-16S-C3-100](#) [ST-JL05-20S-C1-100](#)
[ST-JL05-20S-C2-100](#) [T01-CRIMP-S03](#) [APK-SA16A07-002](#) [27963-15T12](#) [CONT-JL05-08S-C2-10](#) [CONT-JL05-12S-C1-10](#) [RC16M-23T](#)
[RFD26L-1D28](#) [BV002ASJ16049CW](#) [JN1-22-20S-R-PKG100](#) [031-50213](#) [031-50565](#) [031-50794](#) [SJS861301M](#) [ST-JL05-16S-C1-100](#) [ST-](#)
[JL05-20P-C1-100](#) [82911466K](#) [192991-0087](#) [192900-0570](#) [T3P16FC3LZ](#) [ST-JL05-16S-C2-3500](#) [ZP-4016-10NF](#) [CONT-JL05-12P-C1-10](#)
[RM20M12G8D28](#) [031-50676](#) [12115010110](#) [RJFTVC2MG](#) [CAP-DACMDPC2](#) [031-50675-002](#) [CAP-DD1FDPC2](#) [CAP-DACMDPC1](#) [031-](#)
[50966-010](#) [ASSP-10-F-A-C-SA](#) [FB-00BSMA-TL7001](#)