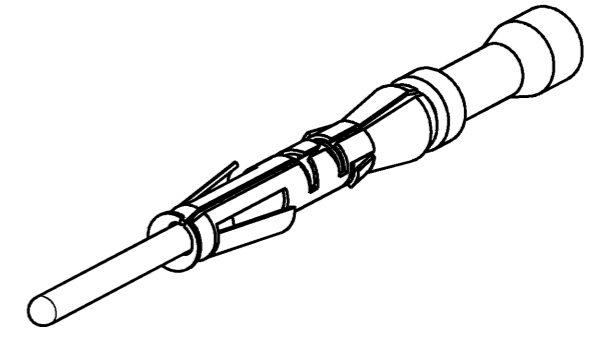
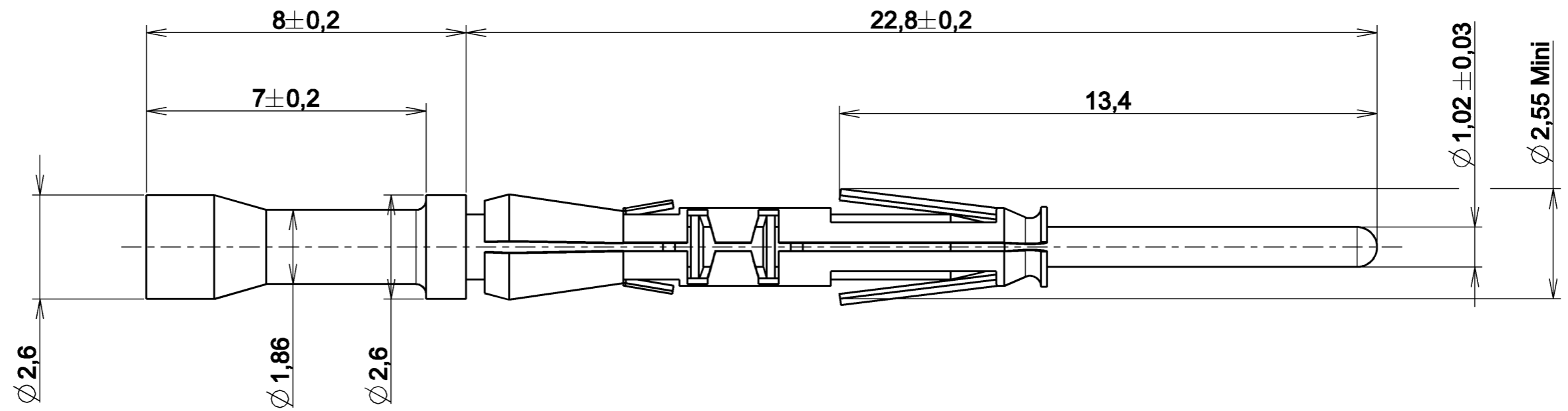


a : 1 : RL



ECHELLE 4/1

Notes :

- Machined contact
- Extraction tool : RX20D44
- Crimping tool : S20RCM

Material :

- Contact body:high conductive copper alloy
:plating: K : 0.4 micron gold over nickel
- Retaining spring:stainless steel

Performance Characteristics :

- Contact retention in the body:50N max
- Contact insertion force:5N max
- Contact separation force:2N min
- Current rating:7.5 Amps
- Contact resistance:6mΩ max
- Dielectric withstanding voltage:1500 Vrms min
- Diameter over insulation 1.20 mm min up to 1.60 mm max
- Section of wire 0.32 mm² min up to 0.50 mm² max
- Wire strip length : 4,8 mm

P/N : RM20W3K

A	04/03/11	FIRST ISSUE	21654
ISS	DATE	Latest modification - by:	MOD N°
Designed by: MOREAU F.		Date: 04/03/11	CUSTOMER DRAWING
TITLE		MALE CRIMP CONTACT AWG 22 - 20	
		CONNECTOR UTOW	
Scale		General linear Tolerances: ± 0.1	NPRDS / PROJECT RM
8/1			
		WWW.SOURIAU.COM	This document is the property of SOURIAU It must not be reproduced or communicated without permission
FORMAT	SOURIAU DRG N° RM20W3K-C01		SHEET
A3			1 / 1

X-ON Electronics

Largest Supplier of Electrical and Electronic Components

Click to view similar products for [Standard Circular Contacts](#) category:

Click to view products by [Sunbank](#) manufacturer:

Other Similar products are found below :

[RC16M23J](#) [133780-1](#) [RM20M13D28](#) [RM24M9D28](#) [RMMX110-1D28](#) [MS3474W10-6P L/C](#) [ELVP16100E](#) [164-901-CD](#) [EN3545007SCE](#)
[BV002BSQ20049CZ](#) [BV002SSQ160404CZ](#) [1900ND05S1B00B](#) [166566-1](#) [1900ND04S1X00D](#) [ST-JL05-16S-C3-100](#) [ST-JL05-20S-C1-100](#)
[ST-JL05-20S-C2-100](#) [T01-CRIMP-S03](#) [APK-SA16A07-002](#) [27963-15T12](#) [CONT-JL05-08S-C2-10](#) [CONT-JL05-12S-C1-10](#) [RC16M-23T](#)
[RFD26L-1D28](#) [BV002ASJ16049CW](#) [33505815019](#) [JN1-22-20S-R-PKG100](#) [031-50213](#) [031-50565](#) [031-50794](#) [ELFH08251](#) [ELFP0641GE](#)
[SJS861301M](#) [ST-JL05-16S-C1-100](#) [ST-JL05-20P-C1-100](#) [82911466K](#) [ESLM03200](#) [192991-0087](#) [192900-0570](#) [ELFH07251](#) [44-100-1414P-](#)
[1000-101](#) [T3P16FC3LZ](#) [ST-JL05-16S-C2-3500](#) [ZP-4016-10NF](#) [CONT-JL05-12P-C1-10](#) [RM20M12G8D28](#) [031-50676](#) [12115010110](#)
[RJFTVC2MG](#) [CAP-DACMDPC2](#)