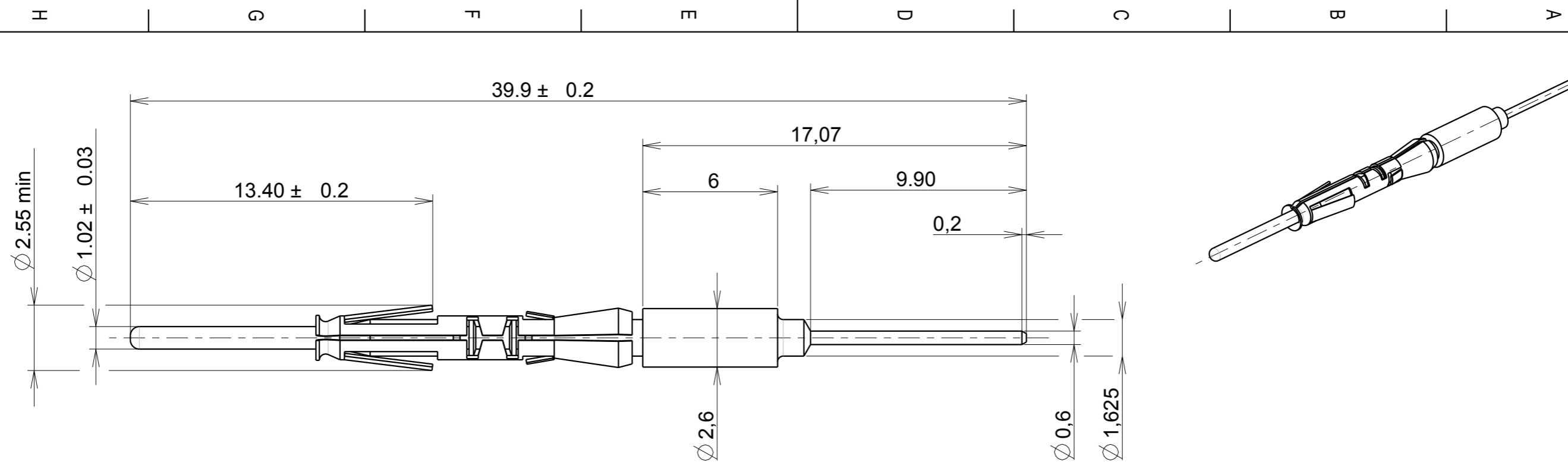


C : 2 ; RL



Notes :

The extraction tool is RX20D44
Machined contact


Material :

Contact body:high conductive copper alloy
:plating: K=0.4 micron gold over nickel
Retaining spring:stainless steel

Performance Characteristics :

Contact retention in the body:50N max
Contact insertion force:5N max
Contact separation force:2N min
current rating:7.5 Amps
Contact resistance:6m Ω max
Dielectric withstanding voltage:1500 Vrms min

P/N : RMW50A7K

C	21/03/12	Update drawing		
ISS	DATE	Latest modification - by: MOREAU F		MOD N°
Designed by:		C. PROVOST	Date: 28/08/03	CUSTOMER DRAWING
TITLE		MALE SPILL CONTACT #20 CONNECTOR UTOW		
Scale	5/1	General linear Tolerances: ± 0.1	NPRDS / PROJECT MKSI	
		WWW.SOURIAU.COM		This document is the property of SOURIAU It must not be reproduced or communicated without permission
FORMAT	A3	SOURIAU DRG N° RMW50A7K-C01		SHEET 1 / 1

X-ON Electronics

Largest Supplier of Electrical and Electronic Components

Click to view similar products for [Standard Circular Contacts](#) category:

Click to view products by [Sunbank](#) manufacturer:

Other Similar products are found below :

[RC16M23J](#) [133780-1](#) [RM20M13D28](#) [RM24M9D28](#) [RMMX110-1D28](#) [MS3474W10-6P L/C](#) [ELVP16100E](#) [164-901-CD](#) [EN3545007SCE](#)
[BV002BSQ20049CZ](#) [BV002SSQ160404CZ](#) [1900ND05S1B00B](#) [192900-0718](#) [166566-1](#) [1900ND04S1X00D](#) [ST-JL05-16S-C3-100](#) [ST-JL05-20S-C1-100](#) [ST-JL05-20S-C2-100](#) [T01-CRIMP-S03](#) [APK-SA16A07-002](#) [27963-15T12](#) [CONT-JL05-08S-C2-10](#) [CONT-JL05-12S-C1-10](#)
[RC16M-23T](#) [RFD26L-1D28](#) [BV002ASJ16049CW](#) [JN1-22-20S-R-PKG100](#) [031-50213](#) [031-50565](#) [031-50794](#) [SJS861301M](#) [ST-JL05-16S-C1-100](#) [ST-JL05-20P-C1-100](#) [82911466K](#) [192991-0087](#) [192900-0570](#) [44-100-1414P-1000-101](#) [T3P16FC3LZ](#) [ST-JL05-16S-C2-3500](#) [ZP-4016-10NF](#) [CONT-JL05-12P-C1-10](#) [RM20M12G8D28](#) [031-50676](#) [12115010110](#) [RJFTVC2MG](#) [CAP-DACMDPC2](#) [031-50675-002](#) [CAP-DD1FDPC2](#) [CAP-DACMDPC1](#) [031-50966-010](#)