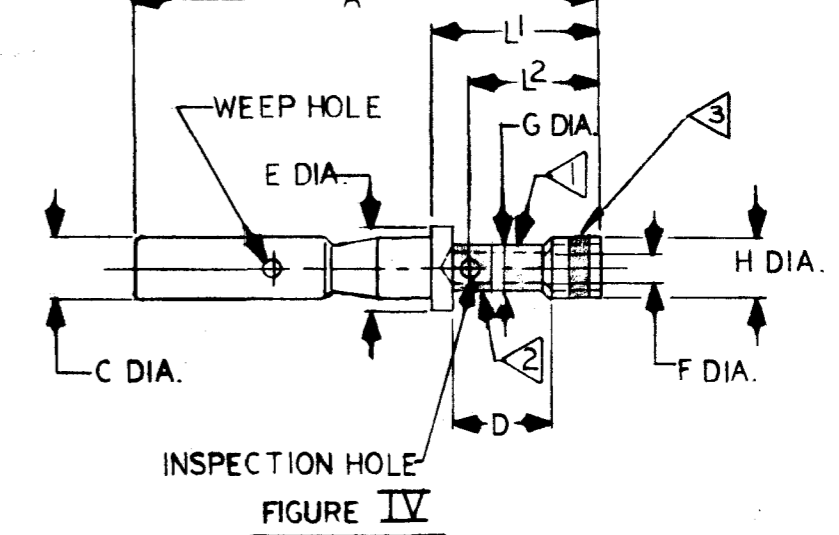
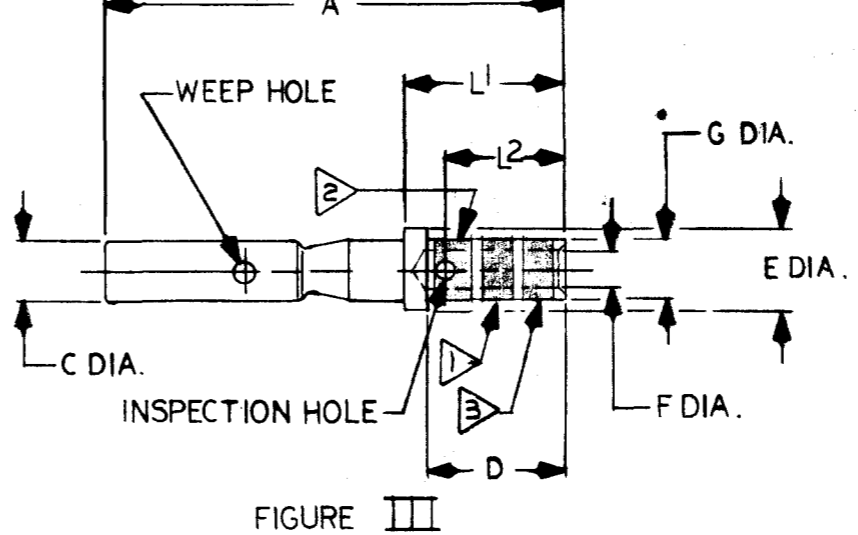
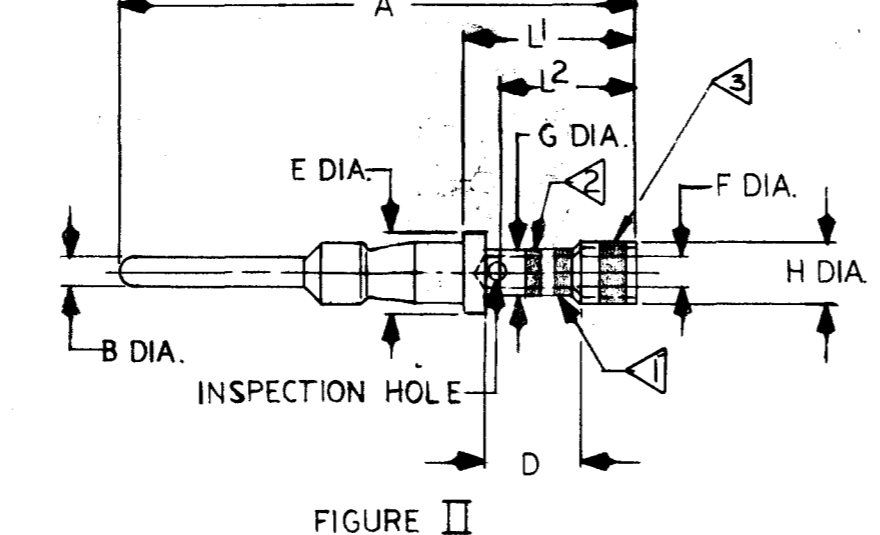
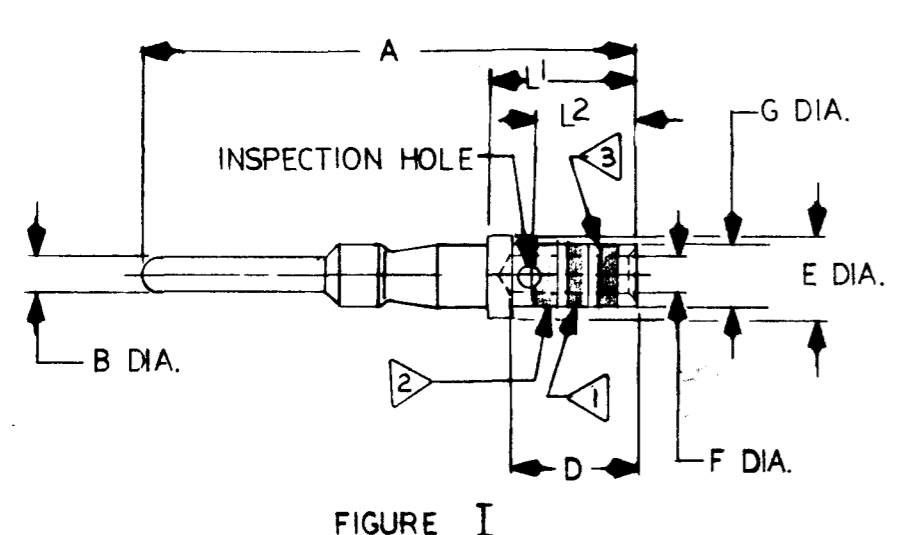
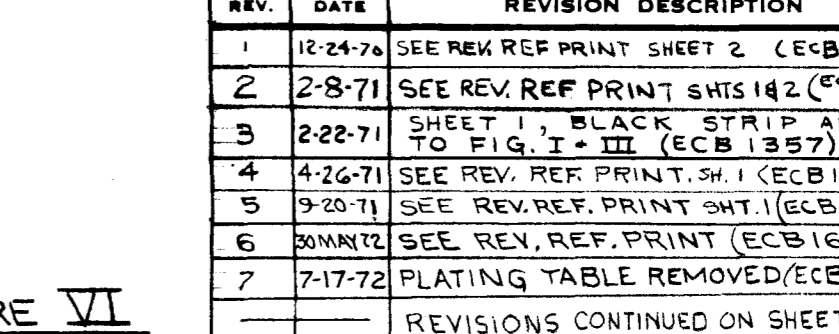
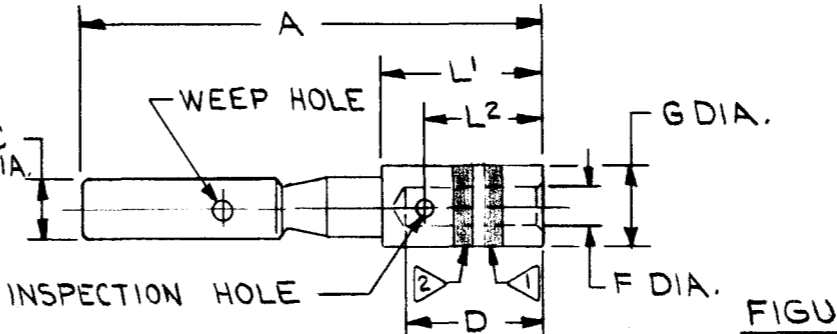
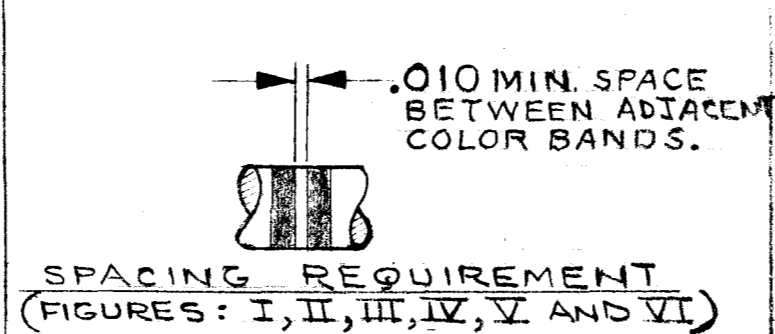
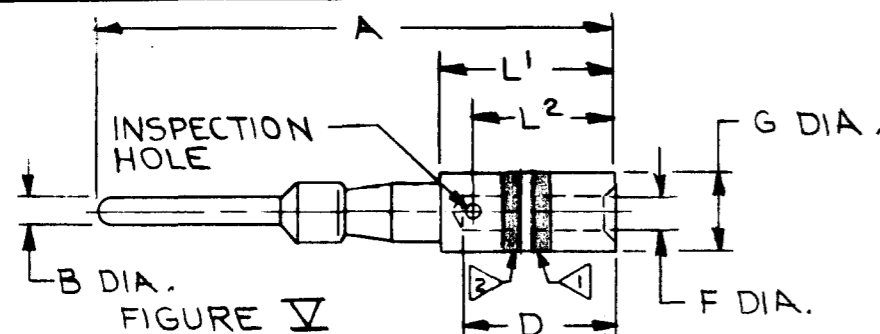


SD71175

REV.	DATE	REVISION DESCRIPTION	BY	C.K.D.
1	12-24-76	SEE REV REF PRINT SHEET 2 (ECB1291)	RWD	RWB
2	2-8-71	SEE REV REF PRINT SHTS 1&2 (ECB1324)	PJR	RWB
3	2-22-71	SHEET 1, BLACK STRIP ADDED TO FIG. I - III (ECB1357)	PJB	RWB
4	4-26-71	SEE REV REF PRINT SH. 1 (ECB1399)	RWD	RWB
5	9-20-71	SEE REV REF PRINT SH. 1 (ECB1496)	P.G.P.	RWB
6	30MAY72	SEE REV. REF. PRINT (ECB1695)	POP	RWB
7	7-17-72	PLATING TABLE REMOVED (ECB1703)	RWD	RWB



DOUGLAS CONTACT CATALOG NO.	PIN OR SOCKET	MATING END		WIRE BARREL				TOOLING					FIG.	A	B DIA.	C DIA.	D STRIP LENGTH	E DIA.	F DIA.	G DIA.	H DIA.	WEIGHT LBS./M.	BURNDY CATALOG NUMBER	L1 ±.002	L2 ±.005		
		SIZE	COLOR CODE	SIZE	COLOR CODE	CONDUCTOR		INSULATION		CRIMP TOOL	DIE SET	STOP BUSHING														INSERTION TOOL	EXTRACTION TOOL
						MIN.	MAX.	MIN. DIA.	MAX. DIA.																		
LRM27-5DES	P	12	YELLOW	12	YELLOW	(#14)	(#12)	.112	.146	S-8	SL-4	RTM12-5	RX12-7	I	.905	.094		9/32	202/198	102/098	153/147		3.4	LRM27-5DES	296	220	
LRC127-5DES	S													III	.844		161/158	9/32	202/198	102/098	153/147		3.5	LRC127-5DES	296	220	
LRM16M-5DES	P	16	BLUE	16	BLUE	(#20)	(#16)			S-7	SL-2	RTM16-2V2	RX16-7V1	III	.905	.0625		9/32	148/144	068/066	108/101		1.6	LRM16M-5DES	296	220	
LRC16M-5DES	S													III	.844		113/110	9/32	148/144	068/066	108/101		1.7	LRC16M-5DES	296	220	
LRM16M-6DES	P	16	BLUE	16	BLUE	(#20)	(#16)	.074	.110	S-7	SL-2	RTM16-2V2	RX16-8	I	1.093	.0625		9/32	148/144	068/066	108/101		2.1	LRM16M-6DES	296	220	
LRC16M-6DES	S													III	1.091		113/110	9/32	148/144	068/066	108/101		2.2	LRC16M-6DES	296	220	
LRM16W-2DES	P	20	RED	16	BLUE	(#20)	(#16)			S-7	SL-44	RTM16-2	RX20-24V3	V	.905	.040		9/32		068/066	108/101		.9	LRM16W-2DES	296	220	
LRC16W-2DES	S													VI	.844		078/076	9/32		068/066	108/101		1.0	LRC16W-2DES	296	220	
LRM20M-1DES	P	16	BLUE	20	RED	(#24)	(#20)			S-6A	SL-64	RTM20-5	RX16-8	II	.915	.0625		7/32	148/144	050/048	078/076	.105	1.5	LRM20M-1DES	306	246	
LRC20M-1DES	S													IV	.854		113/110	7/32	148/144	050/048	078/076	.105	1.6	LRC20M-1DES	306	246	
LRM20M-2DES	P	16	BLUE	20	RED	(#24)	(#20)			S-6A	SL-64	RTM20-5	RX16-8	II	1.103	.0625		7/32	148/144	050/048	078/076	.105	2.0	LRM20M-2DES	306	246	
LRC20M-2DES	S													IV	1.101		113/110	7/32	148/144	050/048	078/076	.105	2.1	LRC20M-2DES	306	246	
LRM20W-5DES	P	20	RED	20	RED	(#24)	(#20)	.090		M10S-1		RTM20-5 OR RTM20-14	RX20-24V3	II	.915	.040		7/32	103/100	050/048	078/076	.105	.8	LRM20W-5DES	306	246	
LRC20W-5DES	S							.039				RTM20-5 OR RTM20-14	RX20-24V3	IV	.854		078/076	7/32	103/106	050/048	078/076	.105	.9	LRC20W-5DES	306	246	
LRM22M-1DES	P	16	BLUE	22	GREEN	(#24)	(#22)			S-6A	SL-64	RTM16-2	RX16-7	II	.915	.0625		7/32	148/144	038/036	066/064	.105	1.7	LRM22M-1DES	306	246	
LRC22M-1DES	S													IV	.854		113/110	7/32	148/144	038/036	066/064	.105	1.8	LRC22M-1DES	306	246	
LRM22M-2DES	P	16	BLUE	22	GREEN	(#24)	(#22)	.080		S-6A	SL-64	RTM16-2	RX16-8	II	1.103	.0625		7/32	148/144	038/036	066/064	.105	1.8	LRM22M-2DES	306	246	
LRC22M-2DES	S													IV	1.101		113/110	7/32	148/144	038/036	066/064	.105	2.2	LRC22M-2DES	306	246	

PLATING TABLE	
SUFFIX	PLATING
DES	GOLD OVER COPPER

**NOTES:**

- ▲▲▲ DENOTES WIRE BARREL.
- ▲▲ DENOTES MATING END.
- ▲ BLACK DENOTES 5015 TYPE CONTACT AND IS ONLY APPLICABLE IF ▲ APPEARS TO LEFT OF CATALOG NUMBER.
- ▲ TO ORDER REEL MOUNTED CONTACTS, PRECEDE CONTACT CATALOG NO. WITH "C" - EXAMPLE - CLRC16M-5DES INDICATES LRC16M-5DES CONTACTS MOUNTED IN REELED CARRY STRIP FOR BANDOMATIC ASSEMBLY. REF. ASTM B33-63 AIRCRAFT WIRE ONLY.
- ▲ FOR NEW CONTACTS REPLACING SUPERSED CONTACTS SEE DWG. SDW1119

IDENTIFICATION STRIPES IN ACCORDANCE WITH:  
MIL-C-23216  
MS 3190  
MS 3192C  
MS 3193B

MATERIAL: BRASS

FSCM NO. 09922

BANTAM PIN AND SOCKET CONTACTS

CAT. NO. LRM/LRC (TABLE)

SCALE

DRAWN: RJR2 10-29-70

CHECKED: [Signature] 11-6-70

DES. APPROV. 11-13-70 C.B.

PROD. APPROV. [Signature] 11/3/70

**BURNDY**  
NORWALK, CONN. 06852

DRAWING NO. **SD71175**

REV. **13**

SHEET 1 OF 2

SD71175

REV.	DATE	REVISION DESCRIPTION	BY	C.K.D.
12	11-21-83	SHT. 1, NOTE 3, ADDED AND IS ONLY APPLICABLE IF IT APPEARS TO LEFT OF CAT. NO. (DC11095)	DA	C.S.
13	3/24/81	REMOVED BR FROM DRAWING # MATERIAL: BRASS PER ECN 4328	DAF	SAF

REV.	DATE	REVISION DESCRIPTION	BY	C.K.D.
		REVISIONS CONTINUED FROM SHEET 1		
8	3-23-74	SHEET 2, NOTE "A" WAS NOTE "4" NOTE "B" ADDED (ECB1968 ADD.)	D.L.	P.J.B.
9	4-29-81	SHTS 1 & 2, SEE REV. REF. (ECC4269)	L.H.	SFP
10	5-15-81	SHTS 1 & 2 SEE REV. REF. PRINTS (DC10,866)	L.H.	SFP
11	8/9/83	ADDED NOTE 6, SUPERSEDED CAT. NOS. LRM12Z23DE5, LRC12Z23DE5, LRM16M23DE5, LRC16M23DE5, LRM20W23DE5, LRC20W23DE5 PER ECW1395	S.E.	CEB

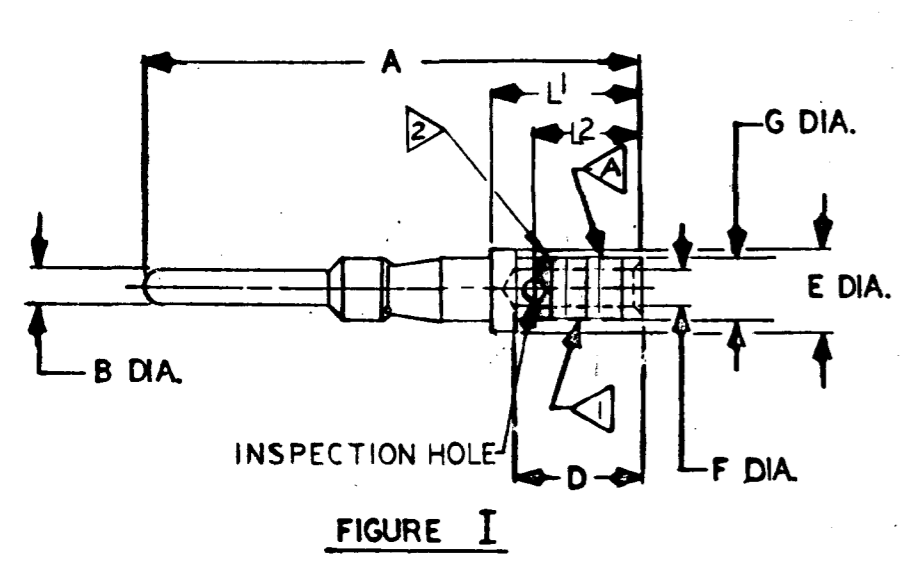


FIGURE I

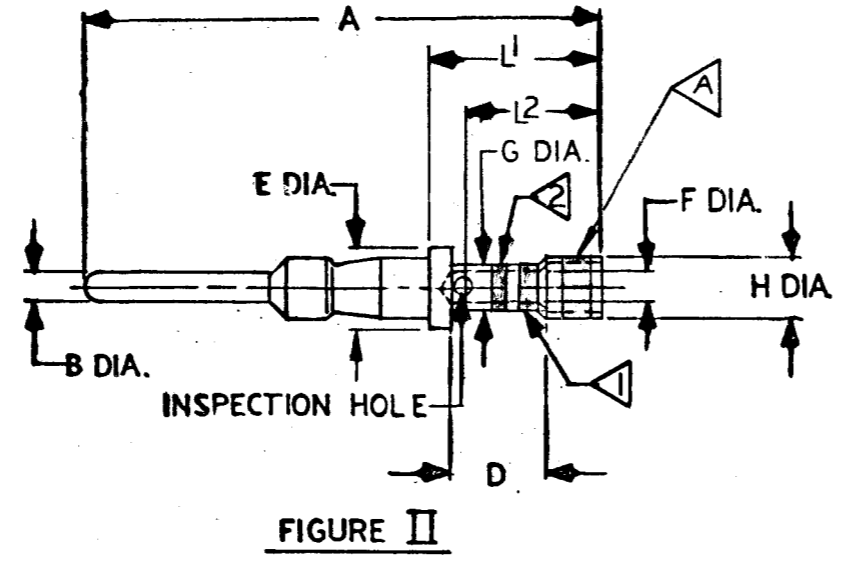


FIGURE II

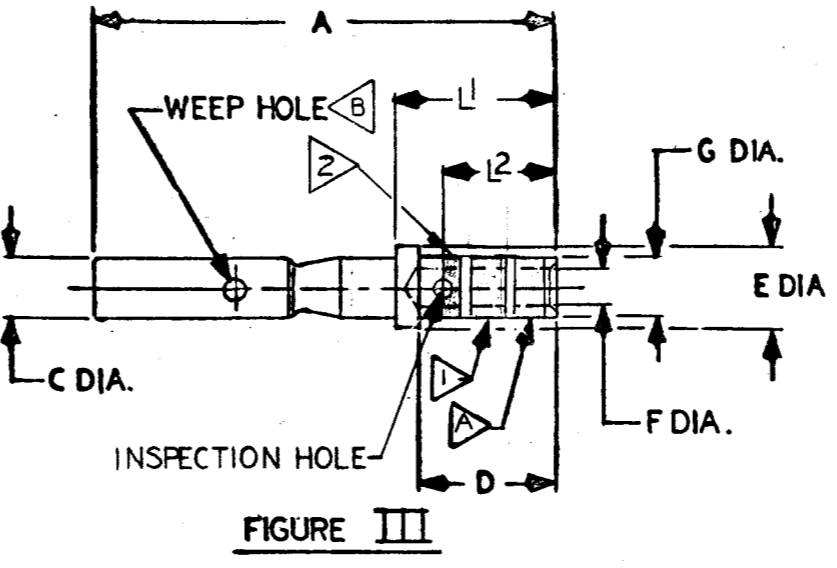


FIGURE III

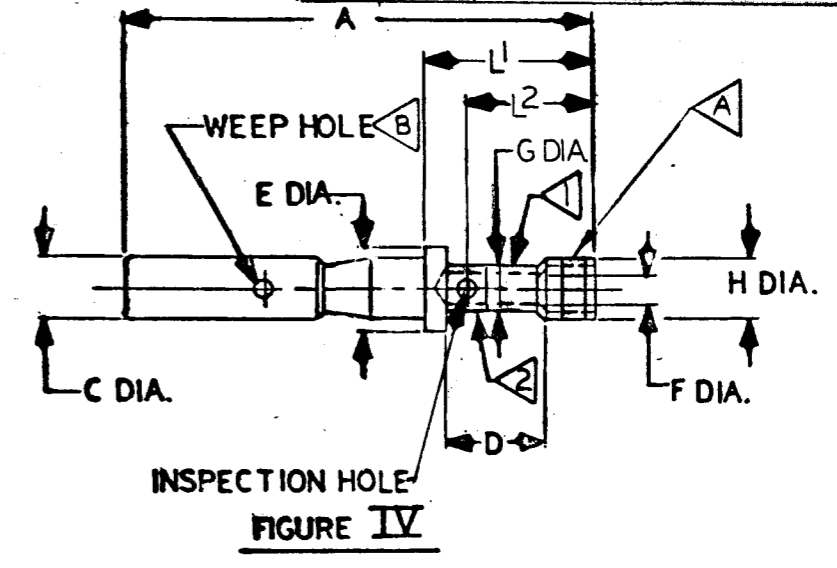


FIGURE IV

CONTACT CATALOG NO.	PIN OR SOCKET	MATING END		WIRE BARREL			TOOLING					FIG.	A ±.010	B DIA. ±.001	C DIA.	D STRIP LENGTH	E DIA.	F DIA. ±.001	G DIA.	H DIA. ±.001	MATERIAL	WEIGHT LBS/M	FINISH	L1 ±.002	L2 ±.005	
		SIZE	COLOR CODE	SIZE	COLOR CODE	ACCOMMODATES		CRIMP TOOL	DIE SET	STOP BUSHING	INSERTION TOOL															EXTRACTION TOOL
						MIN.	MAX.	PER																		
LRM16M-9	P	16	BLUE	16	BLUE	.038	.057	REGULAR GRADE THERMOCOUPLE WIRE PER MIL-W-5846 TYPE I, CLASS D,E					I	.905	.0625	9/32	.067			ALUMEL	1.7	NONE	.296	.220		
LRC16M-9	S	16	BLUE	16	BLUE	#20	#16					III	.844		113/110	9/32	.067			ALUMEL	1.8	NONE	.296	.220		
LRM16M-10	P	16	BLUE	16	BLUE	.038	.057	REGULAR GRADE THERMOCOUPLE WIRE PER MIL-W-5846 TYPE I, CLASS D,E					I	.905	.0625	9/32	.067			CHROMEL	1.7	NONE	.296	.220		
LRC16M-10	S	16	BLUE	16	BLUE	#20	#16					III	.844		113/110	9/32	.067			CHROMEL	1.8	NONE	.296	.220		
LRM16M-11	P	16	BLUE	16	BLUE	.038	.057	THERMOCOUPLE WIRE PER MIL-W-5845 TYPE I, CLASS D,E	S7	SL2	RTM16-2	RX16-7	I	.905	.0625	9/32	.067	148/144	105/101	IRON	1.4	CAD. PLATE	.296	.220		
LRC16M-11	S	16	BLUE	16	BLUE	#20	#16					III	.844		113/110	9/32	.067			IRON	1.5	CAD. PLATE	.296	.220		
LRM16M-12	P	16	BLUE	16	BLUE	.038	.057	THERMOCOUPLE WIRE PER MIL-W-5845 TYPE I, CLASS D,E					I	.905	.0625	9/32	.067			CONSTANTAN	1.7	NONE	.296	.220		
LRC16M-12	S	16	BLUE	16	BLUE	#20	#16					III	.844		113/110	9/32	.067			CONSTANTAN	1.8	NONE	.296	.220		
LRM20W-9	P	20	RED	20	RED	.024	.038	REGULAR GRADE THERMOCOUPLE WIRE PER MIL-W-5846 TYPE I, CLASS D,E	M10S-1				II	.915	.040	7/32	.049		.105	ALUMEL	.8	NONE	.306	.246		
LRC20W-9	S	20	RED	20	RED	#24	#20					IV	.854		078/076	7/32	.049		.105	ALUMEL	.9	NONE	.306	.246		
LRM20W-10	P	20	RED	20	RED	.024	.038	REGULAR GRADE THERMOCOUPLE WIRE PER MIL-W-5846 TYPE I, CLASS D,E		S6A	SL-3A	RTM20-5	RX20-24V3	II	.915	.040	7/32	.049		.105	CHROMEL	.8	NONE	.306	.246	
LRC20W-10	S	20	RED	20	RED	#24	#20					IV	.854		078/076	7/32	.049	103/100	078/076	CHROMEL	.9	NONE	.306	.246		
LRM20W-11	P	20	RED	20	RED	.024	.038	THERMOCOUPLE WIRE PER MIL-W-5845 TYPE I, CLASS D,E					II	.915	.040	7/32	.049		.105	IRON	.7	CAD. PLATE	.306	.246		
LRC20W-11	S	20	RED	20	RED	#24	#20					IV	.854		078/076	7/32	.049		.105	IRON	.8	CAD. PLATE	.306	.246		
LRM20W-12	P	20	RED	20	RED	.024	.038	THERMOCOUPLE WIRE PER MIL-W-5845 TYPE I, CLASS D,E					II	.915	.040	7/32	.049		.105	CONSTANTAN	.8	NONE	.306	.246		
LRC20W-12	S	20	RED	20	RED	#24	#20					IV	.854		078/076	7/32	.049		.105	CONSTANTAN	.9	NONE	.306	.246		

NOTES:

- GREEN DENOTES ALUMEL
- WHITE DENOTES CHROMEL
- YELLOW DENOTES CONSTANTAN
- BLACK DENOTES IRON

THERMOCOUPLE CONTACTS ONLY

- WEEP HOLE ON LRC16M-11 AND LRC20W-11 ONLY.
- CONSULT FACTORY FOR AVAILABILITY.

FSCM NO. 09922

THERMOCOUPLE CONTACTS  
BANTAM PIN AND SOCKET CONTACTS

CAT. NO. LRM/LRC (TABLE)

DRAWN RJR2 10-29-70

CHECKED 11-6-70

DES. APPROV. 11-13-70 C.S.

PROD. APPROV. 11-13-70

**BURNDY**  
NORWALK, CONN. 06852

DRAWING NO. SD7117513

REV. SHEET 2 OF 2

DDB-1069

## X-ON Electronics

Largest Supplier of Electrical and Electronic Components

*Click to view similar products for [Extraction, Removal & Insertion Tools](#) category:*

*Click to view products by [Sunbank](#) manufacturer:*

Other Similar products are found below :

[M8196914-08](#) [768211-2](#) [809-131](#) [844751-2](#) [8-59558-2](#) [91018-1](#) [12014013](#) [12093647](#) [1-21048-0](#) [R282867020](#) [12093078](#) [1-21048-6](#)  
[12121897](#) [DCF.91.405.5LT](#) [1322](#) [15314260](#) [15350698](#) [15350707](#) [15430130](#) [1579018-4](#) [1643916-1](#) [1-679532-0](#) [1976593-3](#) [OUTEXT-0321](#)  
[2-1579008-3](#) [2-1579008-4](#) [229694-7](#) [231106-1](#) [241469](#) [91040-3](#) [91040-7](#) [965004-000](#) [965069-000](#) [1738219-1](#) [ET-JL05-16](#) [FG 0300 146](#)  
[3000](#) [FIT-6](#) [210S048](#) [2-1579007-9](#) [231879-1](#) [312138-3](#) [RJ11FODE](#) [356-162](#) [M8196914-10](#) [4-1579018-0](#) [430395-001](#) [483249-1](#) [5-](#)  
[1579007-2](#) [5-1579007-9](#) [BPR10](#)