



## Size 16 MULTIPIECE coaxial contacts for TRIM TRIO connectors

### Description

Size 16 RMDX/RCDX Multipiece .063" (1.6mm) diameter contacts are subminiature coaxial contacts to cover a wide range of subminiature coaxial and twisted pair cables.

They are suitable in applications where a mix of signal, power and coaxial cable terminations for low frequency, shielded signal and high frequency applications are needed.

The contact consists of an inner pin/socket and an outer male/female body.

The thermoplastic insulating bushing in the outer body is designed to accept and permanently retain the inner contact.

The outer ferrule holds the outer braid to the outer contact and acts as an insulating support to ensure against bending and vibrating stresses.

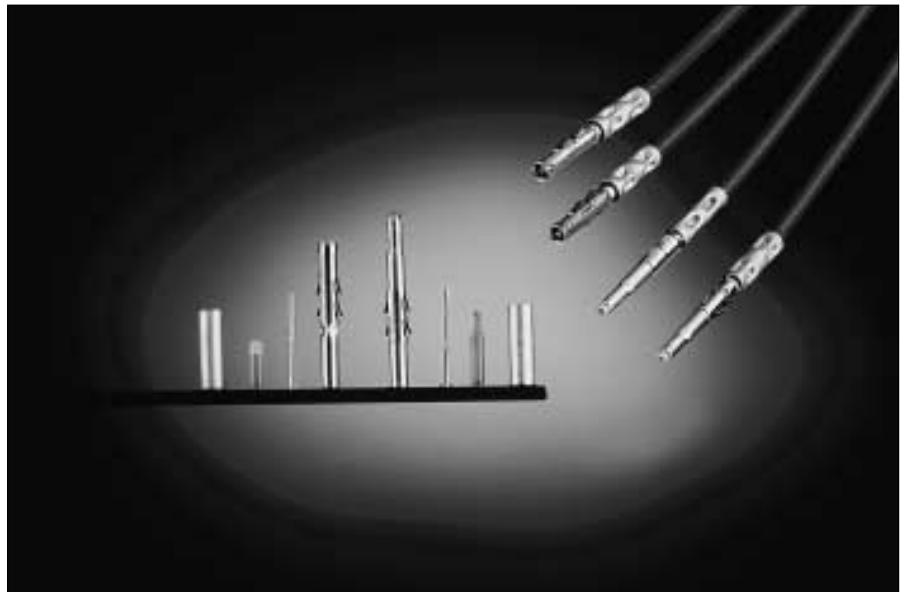
The inner and the outer conductor are crimped individually, thereby enabling inspection of both critical crimp points.

### Features and benefits

- The inner and outer conductors are crimped individually
- The thermoplastic insulating bushing in the outer body is designed to accept and permanently retain the inner contact.
- Outer ferrule holds the outer braid to the outer contact and acts as an insulating support to ensure against bending and vibration.

### Performance characteristics

|  |                 |
|--|-----------------|
| Operating voltage between inner / outer contact: | 230 VDC         |
| Test potential between inner / outer contact     | 750 VAC 1 min.  |
| Operating temperature:                           | -55°C to +125°C |
| Contact retention in body:                       | 65 N min.       |
| Contact voltage drop at 1A:                      | 25m V max.      |
| Isolation at 30 MHz:                             | 140 db.         |



### Construction

Inner and outer contacts: High conductive copper alloy

Retaining spring: beryllium copper

Insulating bushing: Polyamide 6.6

### Plating table

Retaining spring: Nickel plated

Inner and outer contacts:

D28: 0.75 µ Gold min. over Nickel

### Connector accommodation

Any TRIM TRIO contact can be used in any contact position in any connector in the TRIM TRIO interconnection system.

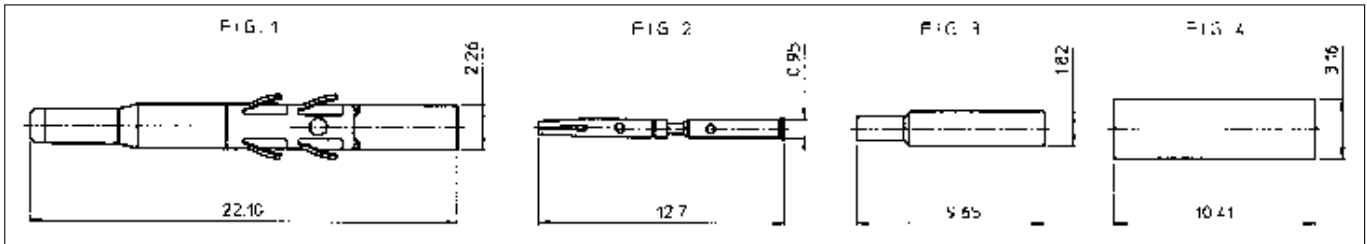
- MS-M/ MSG Rectangular connectors
- SMS Qikmate
- G - Bantamate
- UT-Bantam
- UTG Metalok bantam
- UTP Full plastic bantam
- UTGS Shielded bantam
- MBG Bantamate II

### How to order

|                            | RMDX<br>RCDX   | K10<br>K1 | D28<br>D28 |
|----------------------------|--|-----------|------------|
| <b>Contact type:</b>       | RMDX = Male subminiature coax.<br>RCDX = Female subminiature coax. |           |            |
| <b>Multipiece coax kit</b> | K10 = Kit male coax.<br>K1 = Kit female coax                       |           |            |
| <b>Plating indication</b>  |  |           |            |



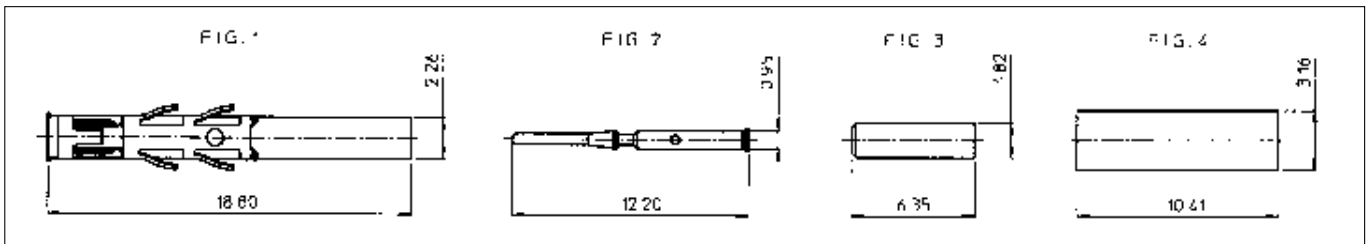
## MULTIPIECE Subminiature coax - Male contact for coaxial cable



| Type of coaxial cable                    | Contact for inner conductor |      |                  |              | Contact for outer braid |     |             |     |                  |              | Extrac tool   |
|--|-----------------------------|------|------------------|--------------|-------------------------|-----|-------------|-----|------------------|--------------|---------------|
|  | Inner female contact        |      | Crimp tool M10S1 |              | Outer male contact      |     | Hyring      |     | Crimp tool M10S1 |              |               |
|  | Part number                 | Fig. | Die Set          | Stop Bushing | Part number             | Fig | Part number | Fig | Die Set          | Stop Bushing |               |
| RG161U<br>RG179A/U<br>RG179B/U<br>RG187U | RFD26L1D28                  | 2    | S23D2            | SL46D2       | RMDX602D28              | 1   | YOC074      | 4   | S22-1            | SL47-1       | RX2025<br>GE1 |
| S26D2                                    |                             |      | YOC074           |              |                         |     | 4           |     |                  |              |               |
| YOC074<br>+<br>RMDXB0553                 |                             |      | 4<br>3           |              |                         |     |             |     |                  |              |               |

Kit reference RMDXK10D28 includes RMDX602D28 + RFD26L1D28 + YOC074 + RMDXB0553 and are packed in plastic bag.

## MULTIPIECE Subminiature coax - Female contact for coaxial cable



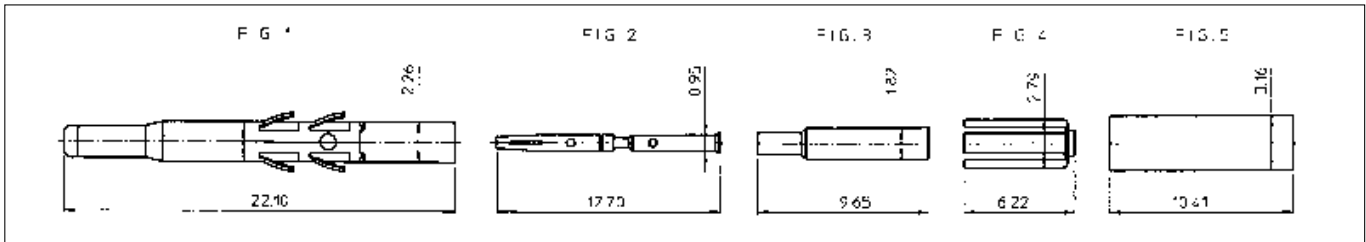
| Type of coaxial cable                    | Contact for inner conductor |      |                          |              | Contact for outer braid |     |             |     |                  |              | Extrac tool                              |
|--|-----------------------------|------|--------------------------|--------------|-------------------------|-----|-------------|-----|------------------|--------------|--|
|  | Inner male contact          |      | Crimp tool M10S1         |              | Outer female contact    |     | Hyring      |     | Crimp tool M10S1 |              |  |
|  | Part number                 | Fig. | Die Set                  | Stop Bushing | Part number             | Fig | Part number | Fig | Die Set          | Stop Bushing |  |
| RG161U<br>RG179A/U<br>RG179B/U<br>RG187U | RMD26L1D28                  | 2    | S23D2                    | SL46D2       | RCDX602D28              | 1   | YOC074      | 4   | S22-1            | SL47-1       | RX2025<br>GE1<br><br>or<br>RX16D11<br>D1 |
| S26D2                                    |                             |      | YOC074                   |              |                         |     | 4           |     |                  |              |  |
| S23D2                                    |                             |      | YOC074<br>+<br>RCDXB0551 |              |                         |     | 4<br>3      |     |                  |              |  |

Kit reference RCDXK1D28 includes RCDX602D28 + RMD26L1D28 + YOC074 + RCDXB0551 and are packed in plastic bag.

# RMDX/RCDX

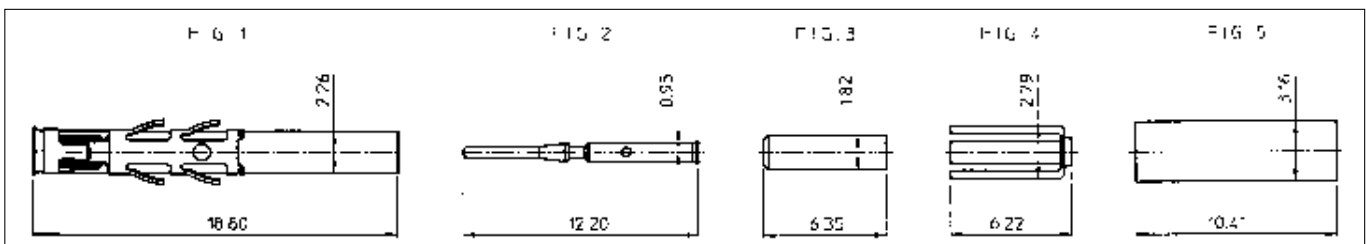


## MULTIPIECE Subminiature coax - Male contact for twisted pair cable



| Type of coaxial cable  | Contact for inner conductor |      |                  |              | Contact for outer braid |     |             |     |                  |              | Extrac tool                          |
|--|-----------------------------|------|------------------|--------------|-------------------------|-----|-------------|-----|------------------|--------------|--------------------------------------|
|  | Inner female contact        |      | Crimp tool M10S1 |              | Outer male contact      |     | Hyring      |     | Crimp tool M10S1 |              |                                      |
|  | Part number                 | Fig. | Die set          | Stop bushing | Part number             | Fig | Part number | Fig | Die set          | Stop bushing |                                      |
| 2 #24 solid or stranded<br>2 #26 str                         | RFD26L1D28                  | 2    | S26D2            | SL46D2       | RMDX602D28              | 1   | YORX090     | 4   | S221             | SL471        | RX2025<br>GE1<br><br>or<br>RX16D11D1 |
| YOC074   |                             |      |                  |              |                         |     | 5           |     |                  |              |                                      |
| RMDXB0553  |                             |      |                  |              |                         |     | 3           |     |                  |              |                                      |
| 2 #24<br>7/0,20 str.<br>MIL-W-76 or<br>MIL-W-16878<br>type B | RMD26L1D28                  | 2    | S26D2            | SL46D2       | RMDX602D28              | 1   | YORX090     | 4   | S221             | SL471        |                                      |
| YOC074   |                             |      |                  |              |                         |     | 5           |     |                  |              |                                      |
| RMDXB0554  |                             |      |                  |              |                         |     | 3           |     |                  |              |                                      |
| #28 per<br>MIL-W-<br>81822/3                                 | RMD26L1D28                  | 2    | S26D2            | SL46D2       | RMDX602D28              | 1   | YORX090     | 4   | S221             | SL471        |                                      |
| YOC074   |                             |      |                  |              |                         |     | 5           |     |                  |              |                                      |
| RMDXB0553  |                             |      |                  |              |                         |     | 3           |     |                  |              |                                      |

## MULTIPIECE Subminiature coax - Female contact for twisted pair cable



| Type of coaxial cable  | Contact for inner conductor |      |                  |              | Contact for outer braid |     |             |     |                  |              | Extrac tool                          |
|--|-----------------------------|------|------------------|--------------|-------------------------|-----|-------------|-----|------------------|--------------|--------------------------------------|
|  | Inner male contact          |      | Crimp tool M10S1 |              | Outer female contact    |     | Hyring      |     | Crimp tool M10S1 |              |                                      |
|  | Part number                 | Fig. | Die set          | Stop bushing | Part number             | Fig | Part number | Fig | Die set          | Stop bushing |                                      |
| 2 #24 solid or stranded<br>2 #26 str                         | RMD26L1D28                  | 2    | S26D2            | SL46D2       | RCDX602D28              | 1   | YORX090     | 4   | S221             | SL471        | RX2025<br>GE1<br><br>or<br>RX16D11D1 |
| YOC074   |                             |      |                  |              |                         |     | 5           |     |                  |              |                                      |
| RCDXB0551  |                             |      |                  |              |                         |     | 3           |     |                  |              |                                      |
| 2 #24<br>7/0,20 str.<br>MIL-W-76 or<br>MIL-W-16878<br>type B | RMD26L1D28                  | 2    | S26D2            | SL46D2       | RCDX602D28              | 1   | YORX090     | 4   | S221             | SL471        |                                      |
| YOC074   |                             |      |                  |              |                         |     | 5           |     |                  |              |                                      |
| RCDXB0552  |                             |      |                  |              |                         |     | 3           |     |                  |              |                                      |
| #28 per<br>MIL-W-<br>81822/3                                 | RMD26L1D28                  | 2    | S26D2            | SL46D2       | RCDX602D28              | 1   | YORX090     | 4   | S221             | SL471        |                                      |
| YOC074   |                             |      |                  |              |                         |     | 5           |     |                  |              |                                      |
| RCDXB0551  |                             |      |                  |              |                         |     | 3           |     |                  |              |                                      |

# RMDX/RCDX



## Size 16 monocrimp coaxial contacts for TRIM TRIO connectors

### Description

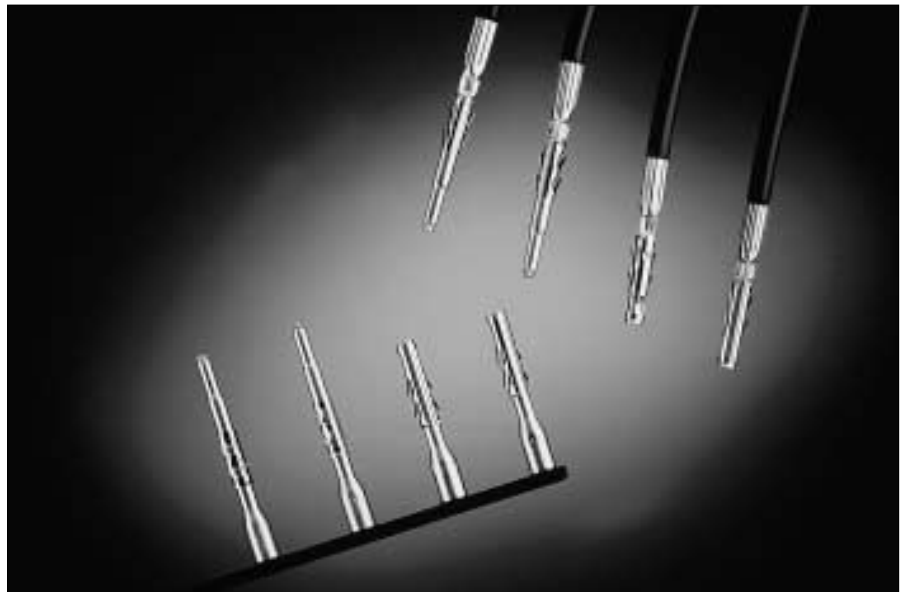
Size 16 RMDX/RCDX Monocrimp .063" (1.6mm) diameter contacts are one-piece monocrimp subminiature coaxial contacts to cover a wide range of subminiature coaxial and twisted pair cables. They provide cost effective solutions in applications where a mix of signal, power and coaxial cable terminations for low frequency, shielded signal and high frequency applications are needed. Monocrimp one piece coaxial contacts offer high reliability plus the economic advantage of a 95% reduction in installation time over conventional assembly methods currently in use.

### Features and benefits

- The monocrimp one-piece coaxial contacts offer high reliability plus the economic advantage of a 95% reduction in installation time over conventional assembly methods.
- This economy is achieved by simultaneously crimping of both the inner and outer conductor

### Performance characteristics

|  |                 |
|--|-----------------|
| Operating voltage between inner / outer contact: | 230 VDC         |
| Test potential between inner / outer contact     | 450 VAC 1 min.  |
| Operating temperature:                           | -55°C to +125°C |
| Contact retention in body:                       | 65 N min.       |
| Contact voltage drop a 1A:                       | 30m V max.      |
| Isolation at 30 MHZ:                             | 140 db.         |



### Construction

Inner and outer contacts: High conductive copper alloy

Retaining spring: beryllium copper

Insulating bushing: Polyamide 6.6

### Plating table

Retaining spring: Nickel plated

Inner and outer contacts:

D28: 0.75µ Gold min. over Nickel

### Connector accommodation

Any TRIM TRIO contact can be used in any contact position in any connector in the TRIM TRIO interconnection system.

- MS-M/MSG Rectangular connectors
- SMS Qikmate
- G - Bantamate
- UT-Bantam
- UTG Metalok bantam
- UTP Full plastic bantam
- UTGS Shielded bantam
- MBG Bantamate II

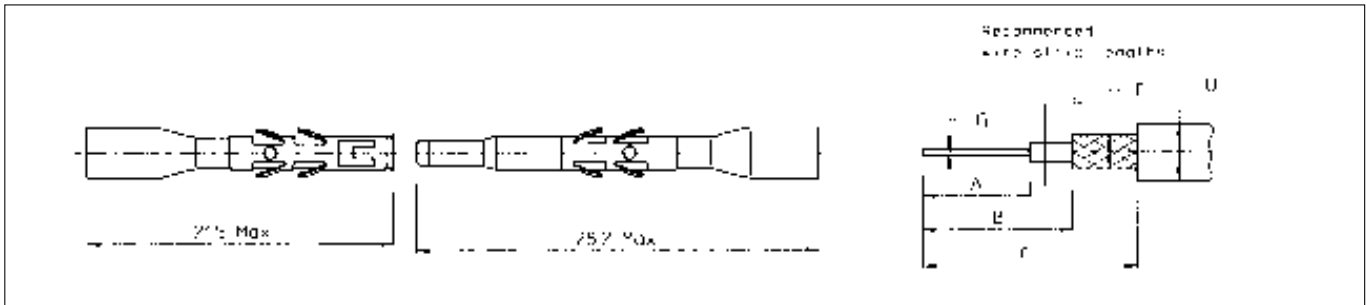
## How to order

|                                   |  |          |            |
|-----------------------------------|--|----------|------------|
|                                   | RMDX60<br>RCDX60   | 36<br>36 | D28<br>D28 |
| <b>Contact type:</b>              | RMDX = Male subminiature coax.<br>RCDX = Female subminiature coax. |          |            |
| <b>Monocrimp design variation</b> |  |          |            |
| <b>Plating indication</b>         |  |          |            |

# RMDX/RCDX

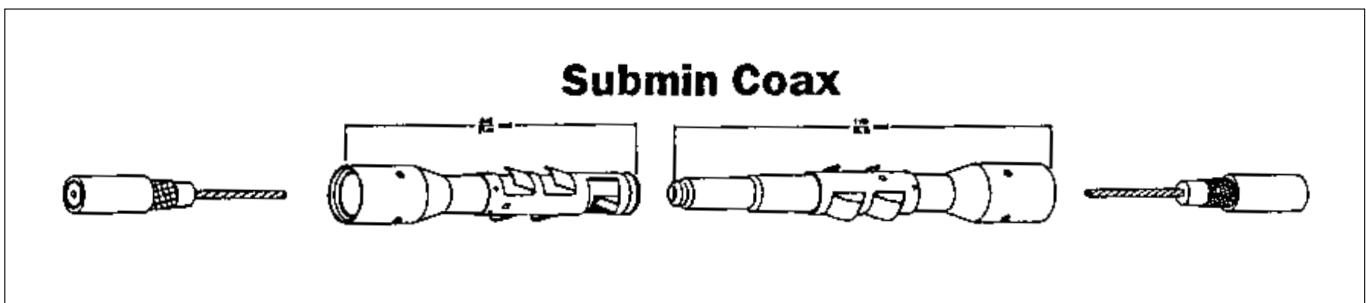


## MONOCRIMP Subminiature coax

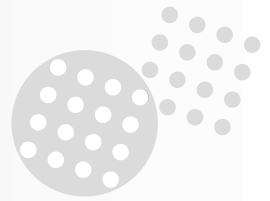


| Part number                | AWG inner conduct. | Cable type | Coax dimensions |      |      |      | Coax strip lengths   |      |      | Crimp tool M10S1  |                        | Extraction tool                  |       |  |
|----------------------------|--------------------|------------|-----------------|------|------|------|----------------------|------|------|-------------------|------------------------|----------------------------------|-------|--|
|                            |                    |            | D max           | E    | F    | G    | A                    | B    | C    | Die set not incl. | stop bushing not incl. |                                  |       |  |
| RMDX6050D28<br>RCDX6050D28 | 30                 | -          | 2.64            | 2.11 | 1.70 | 0.30 | 5.1                  | 6.35 | 8.9  | S80               | SL105                  | RX2025GE1<br><br>OR<br>RX16D11D1 |       |  |
| RMDX6050D28<br>RCDX6050D28 |                    | -          | 2.29            | 1.63 | 1.22 | 0.30 | 4.2                  |      | 8.5  | S87               |                        |                                  |       |  |
| RMDX6032D28<br>RCDX6032D28 | 28                 | -          | 2.90            | 2.29 | 1.91 | 0.38 | 5.1                  |      | 11.7 | S80               |                        |                                  | S82   |  |
| RMDX6024D28<br>RCDX6024D28 | -                  | 1.78       | 1.37            | 0.97 | 0.48 | 5.1  |                      |      | 11.7 | S82               |                        |                                  |       |  |
| RMDX6032D28<br>RCDX6032D28 | 26                 | RG174/U    | 2.92            | 2.24 | 1.52 |      | 0.48                 |      |      | S80               |                        |                                  | SL105 |  |
| RMDX6026D28<br>RCDX6026D28 |                    | -          | 3.05            | 2.44 | 1.96 |      | 0.41                 |      |      |                   |                        |                                  |       |  |
| RMDX6036D28<br>RCDX6036D28 | RG188A/U           | 2.79       | 1.98            | 1.52 | 0.51 |      | S80                  |      |      | SL105             |                        |                                  |       |  |
| RMDX6036D28<br>RCDX6036D28 | RG316/U            | 2.72       |                 |      | 0.53 |      |                      |      |      |                   |                        |                                  |       |  |
| RMDX6018D28<br>RCDX6018D28 | -                  | 2.62       | 0.53            | 8.9  |      |      | M10SG8* crimping kit |      |      |                   |                        |                                  |       |  |
| RMDX6018D28<br>RCDX6018D28 | 26                 | 2.34       | 1.70            | 1.27 | 0.64 |      |                      |      |      |                   |                        |                                  |       |  |

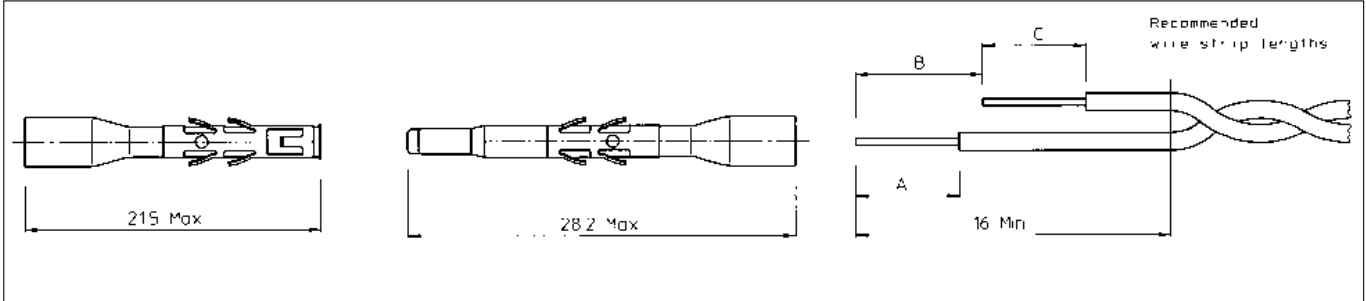
\* M10SG8 consists of die set, stop bushing and M10S1 tool



# RMDX/RCDX

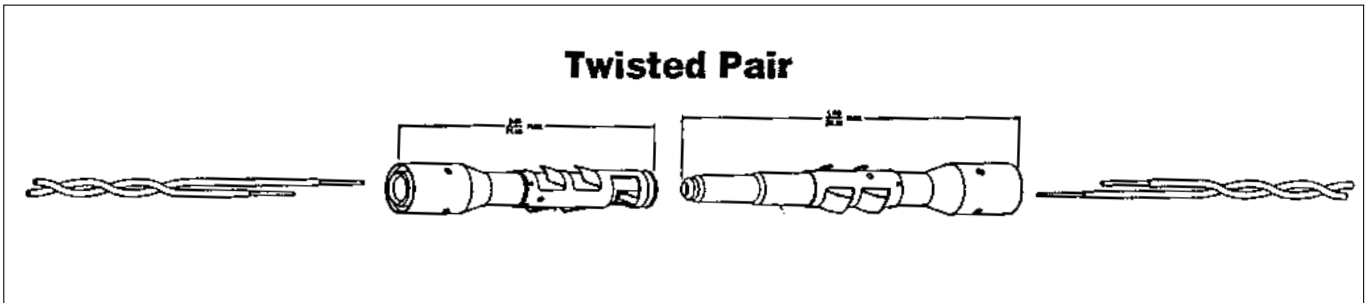


## MONOCRIMP Twisted pair



| Part number |        | AWG<br>inner conduct. | Dia. outer<br>jacket<br>(single wire) | Cable strip lengths |     |     | Crimp tool<br>M10S1  |                               | Extraction<br>tool           |
|-------------|--------|-----------------------|---------------------------------------|---------------------|-----|-----|----------------------|-------------------------------|------------------------------|
| Male        | Female |                       |                                       | A                   | B   | C   | Die set<br>not incl. | Stop<br>bushing<br>not. incl. |                              |
| RMDX6019D28 |        | 26 (19 x 0.10)        | 1.25                                  | 4.7                 | 6.0 | 4.0 | M10SG8*              |                               | RX2025GE1<br>or<br>RX16D11D1 |
| RCDX6019D28 |        | 24 (7 x 0.20)         | 1.25                                  |                     |     |     |                      |                               |                              |
|             |        | 24 (19 x 0.13)        | 1.45                                  |                     |     |     | S80                  | SL105                         |                              |
| RMDX6031D28 |        | 26 (7 x 0.16)         | 0.70                                  |                     |     |     |                      |                               |                              |
| RCDX6031D28 |        |                       |                                       |                     |     |     |                      |                               |                              |

\* M10SG8 consist of die set, stop bushing and M10S1 tool.



## X-ON Electronics

Largest Supplier of Electrical and Electronic Components

*Click to view similar products for [Extraction, Removal & Insertion Tools](#) category:*

*Click to view products by [Sunbank](#) manufacturer:*

Other Similar products are found below :

[M8196914-08](#) [768211-2](#) [809-131](#) [844751-2](#) [8-59558-2](#) [91018-1](#) [12014013](#) [12093647](#) [1-21048-0](#) [R282867020](#) [12093078](#) [12180559](#) [1-21048-6](#) [12121897](#) [DCF.91.405.5LT](#) [1322](#) [15314260](#) [15350698](#) [15350707](#) [15430130](#) [1579018-4](#) [1643916-1](#) [1-679532-0](#) [1976593-3](#)  
[OUTEXT-0321](#) [2-1579008-3](#) [2-1579008-4](#) [229694-7](#) [231106-1](#) [241469](#) [91040-3](#) [91040-7](#) [965004-000](#) [965069-000](#) [1738219-1](#) [ET-JL05-16](#)  
[FG 0300 146 3000](#) [FIT-6](#) [210S048](#) [2-1579007-9](#) [231879-1](#) [312138-3](#) [RJ11FODE](#) [356-162](#) [M8196914-10](#) [4-1579018-0](#) [430395-001](#) [483249-1](#) [5-1579007-2](#) [5-1579007-9](#)