

RB Modules



Applications

Grounding and wiring integration devices for commercial/military aircraft.

Standards

Characteristics

Material

- Ground block body : aluminum alloy
- Feed back modules body : polyphenylene sulfide (PPS)
- Ground track body : PPS
- Ground block cap and insert : PPS
- Grommet and ground track strain : silicone rubber
- Relief grommet contact : copper alloy

Protection

- Contact gold (1.27µm) over nickel (1,91 µm)

Mechanical

- Magnetic permeability : materials do not exhibit a relative magnetic permeability of greater than 2, in accordance with MIL-T-81714, para 4.6.15



- Contact retention : size 16-20 : 88,9 N
size 14-16 : 112,2 N
- Probe damage : in accordance with MIL-T-81714 para 4.6.2
- Endurance : 100 cycles of mating and unmating

Electrical

- Contact resistance : size 16-20 : 9 mΩ
size 14-16 : 5 mΩ
- Withstanding voltage : sea level : 1500 VRms in accordance with MIL-T 81714
Altitude : 600 VRms in accordance with MIL-T 81714
- Insulation resistance : 5000 MΩ (feedback modules only)
- Insulation resistance : 50 MΩ after (elevated temperature) 1000 hours at 150°C feedback modules only

Description

- RB series meet the electrical, mechanical and environmental performances criteria of MIL-J-81714.
- The system provides a large number of ground terminations within close proximity to signal wires («HERF» requirements).
- Modules available in five buss configurations and designed to accommodate # 16 and # 20 AWG cables terminated with M39029 contacts.
- Program switch module contains 2, 12 positions single pole, single throw DIP switches in a sealed compartment that is accessed by removing captured sealing plugs.
- Other switches such as SEDT, DPBT, DPST and 4PST can also be accommodate.

Climatical

- Resistance to salt spray
humidity
vibration
shock
thermal shock
temperature : 1000 hours at 150°C
- in accordance with MIL-T-81714

Ordering information

Ground & Mounting track, ground block, and feedback module

FCI Burndy Part number	Boeing Part number	Description
RBGB20-777 RBGB16-777	S280W555-1 S280W555-2	Ground block module - 16 x 20 AWG Ground block module - 12 x 16 AWG
RBTB20-2 RBTB20-4 RBTB20-8 RBTB16-3 RBTB16-6	S280W555-102 S280W555-104 S280W555-108 S280W555-203 S280W555-206	Terminal feedback module - 2 x 8 bus - 20 AWG Terminal feedback module - 4 x 4 bus - 20 AWG Terminal feedback module - 8 x 2 bus - 20 AWG Terminal feedback module - 3 x 4 bus - 16 AWG Terminal feedback module - 6 x 2 bus - 16 AWG
RBGT2 RBGT4 RBGT6 RBGT10 RBGT14 RBGT16 RBGT22 RBGT26	S280W555-502 S280W555-504 S280W555-506 S280W555-510 S280W555-514 S280W555-516 S280W555-522 S280W555-526	Terminal module ground track - 2.00 in. Terminal module ground track - 4.00 in. Terminal module ground track - 6.00 in. Terminal module ground track - 10.00 in. Terminal module ground track - 14.00 in. Terminal module ground track - 16.00 in. Terminal module ground track - 22.00 in. Terminal module ground track - 26.00 in.
RBMT2 RBMT4 RBMT6 RBMT10 RBMT14 RBMT16 RBMT22 RBMT26	S280W555-602 S280W555-604 S280W555-606 S280W555-610 S280W555-614 S280W555-616 S280W555-622 S280W555-626	Terminal module ground track - 2.00 in. Terminal module ground track - 4.00 in. Terminal module ground track - 6.00 in. Terminal module ground track - 10.00 in. Terminal module ground track - 14.00 in. Terminal module ground track - 16.00 in. Terminal module ground track - 22.00 in. Terminal module ground track - 26.00 in.
RBD20-1 RBD20-3	S280W555-751 S280W555-753	Terminal diode module - JANTX1N6818 Terminal diode module - JANTX1N5553
RBR20-2 RBR20-3 RBR20-4 RBR20-5	S280W555-702 S280W555-703 S280W555-704 S280W555-705	Terminal resistor module - RLR07C4301 FR Terminal resistor module - RLR07C1202 FR Terminal resistor module - RLR07C4992 FR Terminal resistor module - Mat disp brightness control
RBM20M-1DJ5 RBM18M-1DJ5 RBM16V-1DJ5 RBM12Z-1DJ5		M39029/1-101 pin contact - size 16-20 M39029/1 special pin contact - size 16-18 M39029/1-102 pin contact - size 14-16 M39039/1-103 pin contact - size 12-12

RB Modules

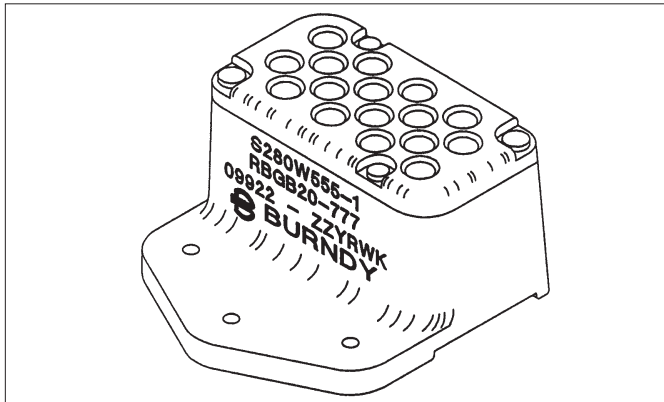


Rack & panel and right angle mounting ground blocks and program switch module

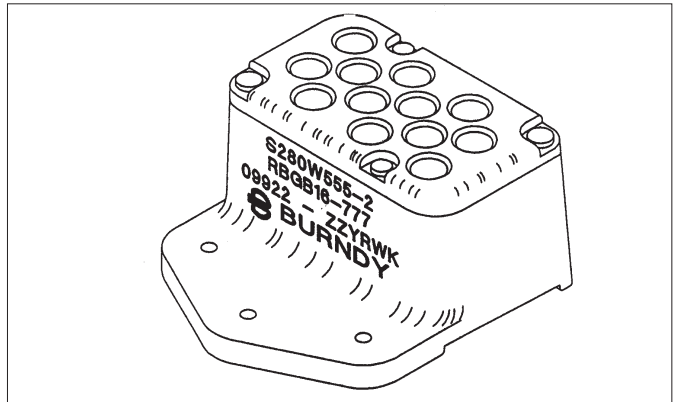
FCI Burndy Part number	Boeing Part number	Description
RBGP16-1 RBGP48-1 RBGP104-1		Rack and panel mounting ground block Rack and panel mounting ground block Rack and panel mounting ground block
RBGS16-1 RBGS32-1	S280W555-401 S280W555-402	Right angle mounting ground shelf strip Right angle mounting ground shelf strip
RBDSC-1		Program switch module

Ground block assembly

P/N RBGB 20-777

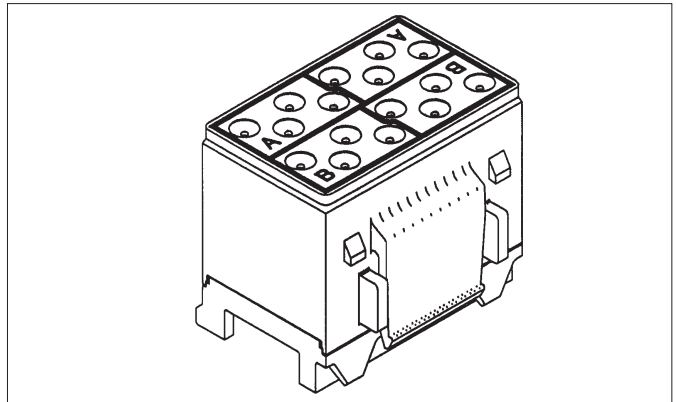
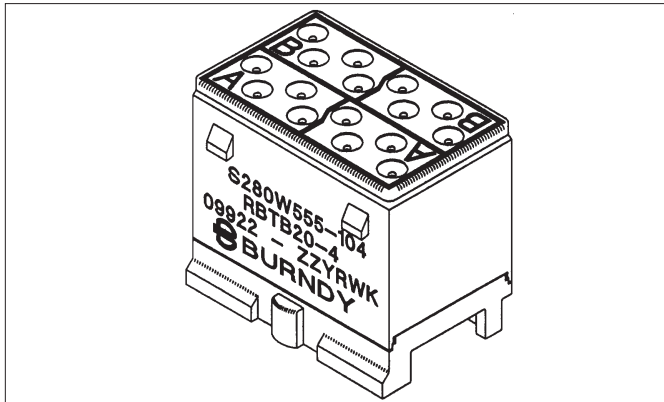


P/N RBG 16-777



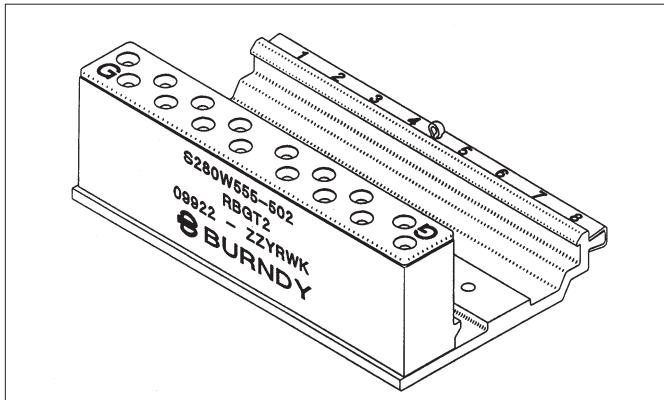
Feedback module

P/N RBTB 20-4



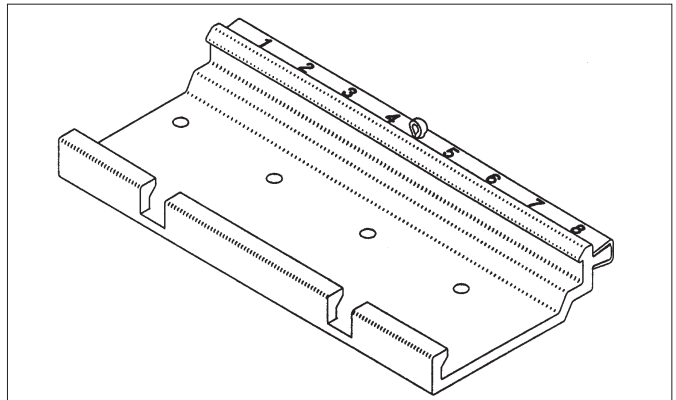
Grounding track assembly

P/N RBGT 2



Mounting track assembly

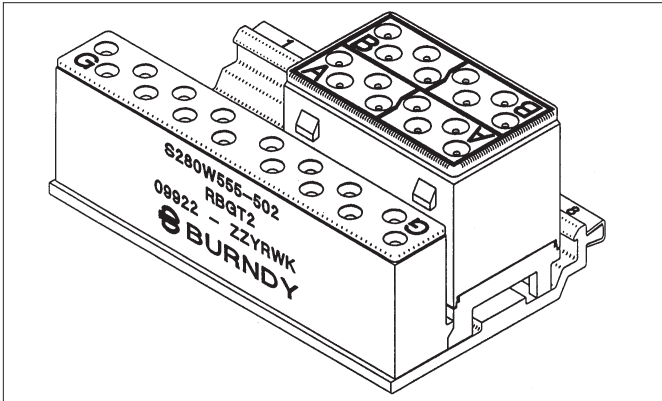
RBM T 2



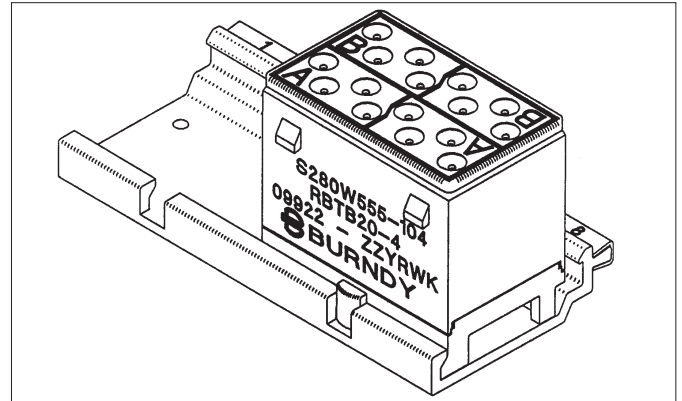
RB Modules



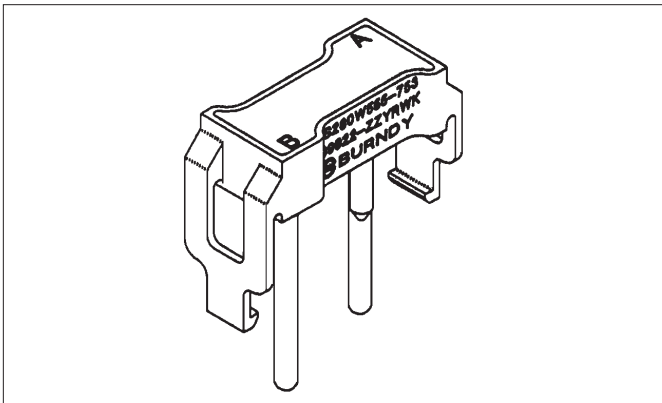
Feedback module mounted in grounding track
RBG T2 / RBT B 20 - 4



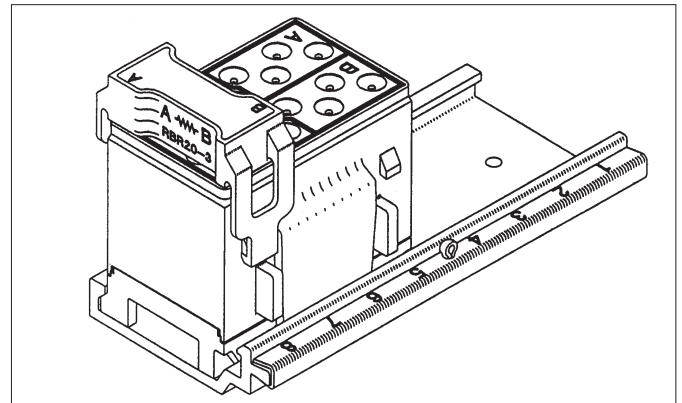
Feedback module mounted in mounting track
RBM T 2 / RB T B 20 - 4



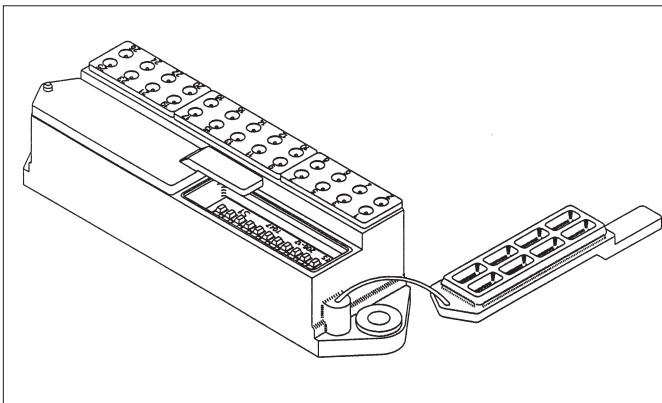
Diode / resistor module assembly
RBD 20 - 3



Feedback module mounted in track with resistor module
RBM T 2 / RBR 20 - 3 / RBT B 20 - 4



Program switch module
RBDSC - 1



X-ON Electronics

Largest Supplier of Electrical and Electronic Components

Click to view similar products for [In-Line Junction Modules](#) category:

Click to view products by [Sunbank](#) manufacturer:

Other Similar products are found below :

[00111975102](#) [6131-202-1358P](#) [6131-207-1158P](#) [6131-207-1558P](#) [6131-207-1758P](#) [6131-209-2558P](#) [6131-217-1758P](#) [6131-258-1958P](#)
[6131-261-2358P](#) [6131-264-1358P](#) [6134-209-19149](#) [87.200.2201.3](#) [87.210.2204.3](#) [87.210.2211.3](#) [88083-10-6PN-L/C](#) [88083-10-6SN-LC](#)
[88083-14-15SN-LC](#) [88083-14-15SW-L/C](#) [88083-14-19SN-LC](#) [88083-14-4PN-LC](#) [88083-14-5SN-LC](#) [88083-18-8SN-LC](#) [88083-20-41PN-LC](#)
[S53209NR051](#) [TJSE20535](#) [TJSE20551](#) [TJSE20706](#) [YCTJ920E12NC098000](#) [6131-202-2358P](#) [6131-205-2558P](#) [6131-208-2558P](#) [6131-258-](#)
[2158P](#) [E162N2N0506R](#) [C81311N21](#) [87.200.2205.3](#) [A06C4L](#) [YCTJ920E06NC098000](#) [TJSE20128](#) [TJSE20602](#) [TJSE22517](#) [TJSE22707](#)
[TJSE20829](#) [TJSE20559](#) [YCTL-12V0030000000](#) [YCTN20D0003V003000](#) [TJSE22839](#) [TJSE22708](#) [TJSE22705](#) [S280W555700](#) [TJSE20525](#)