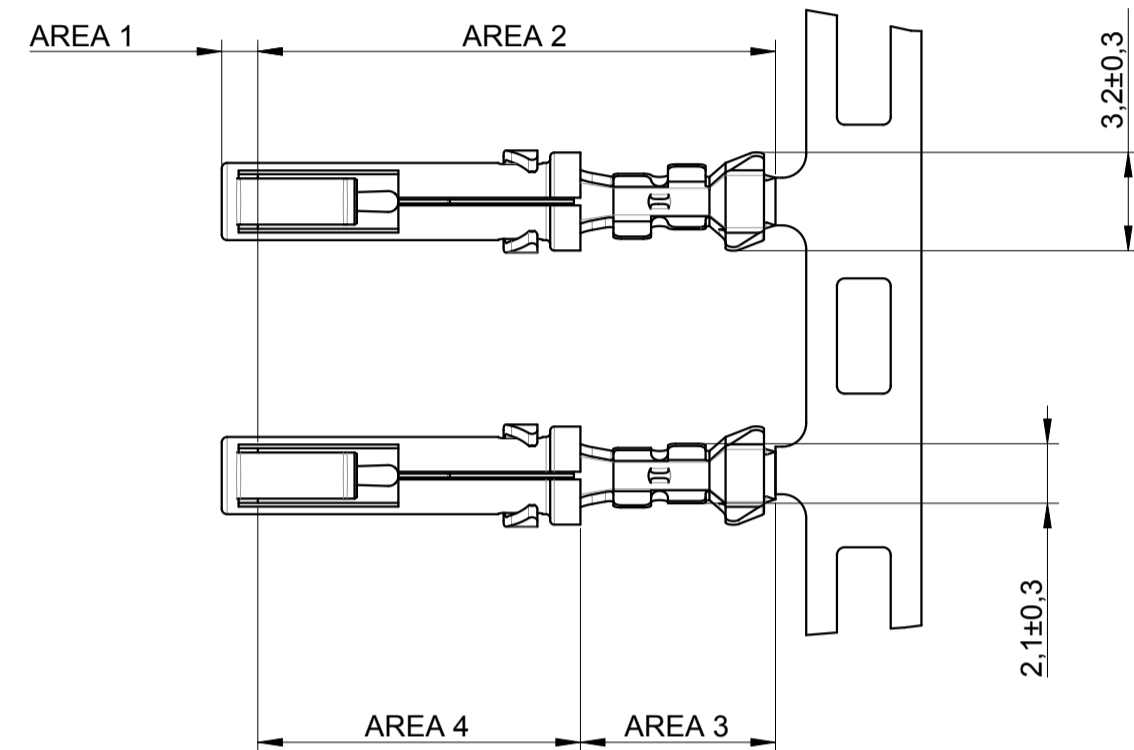
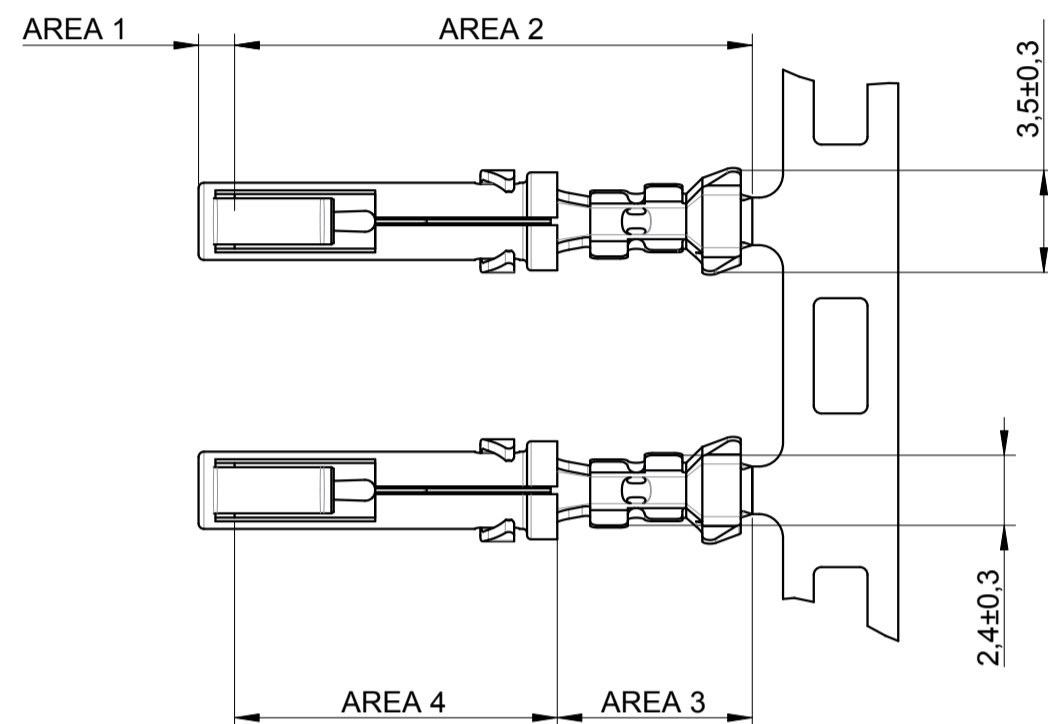


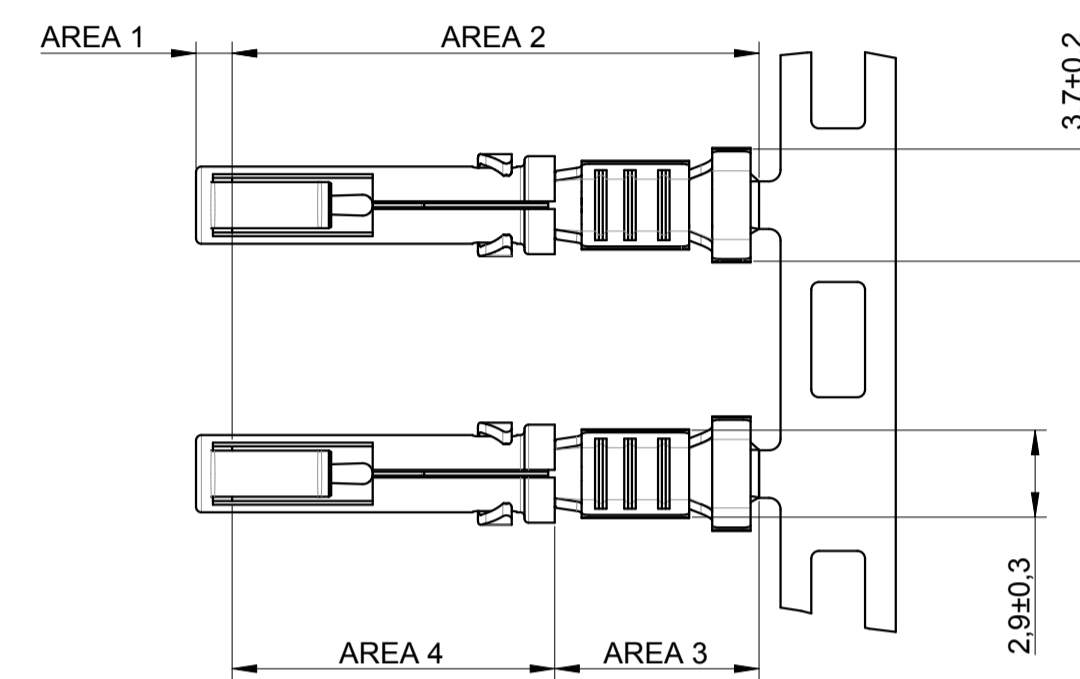
SC24M1\* / SC24M1\*REV



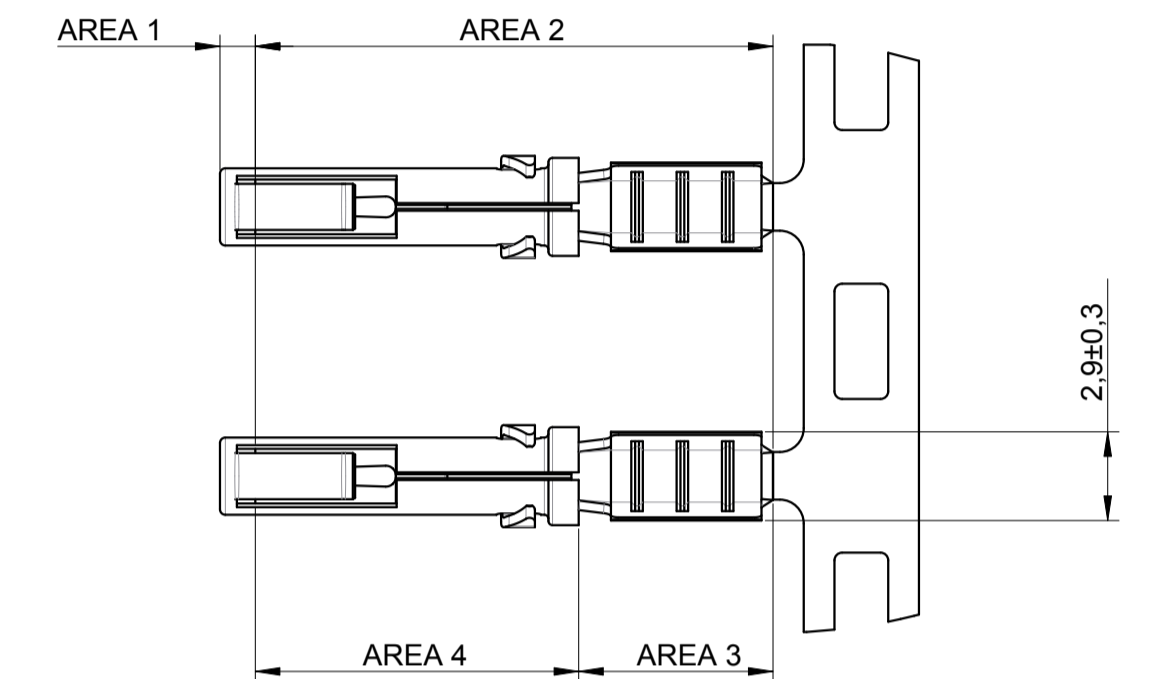
SC20M1\* / SC20M1\*REV



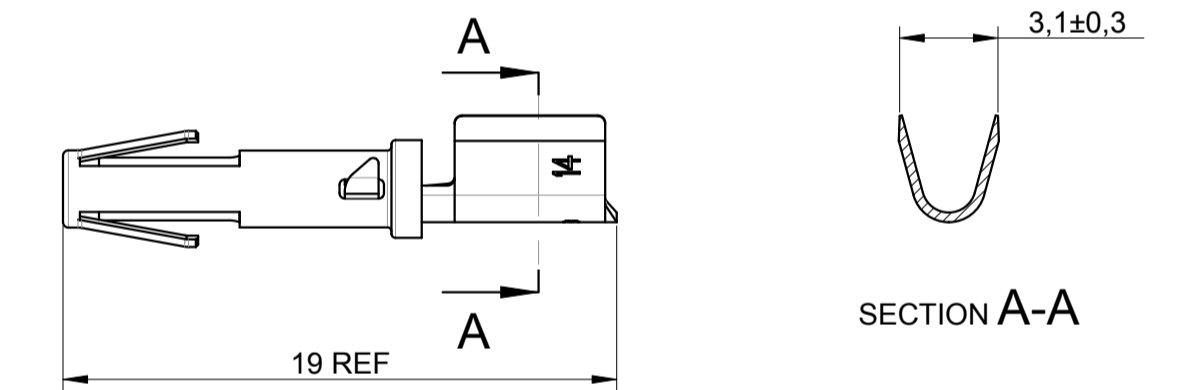
SC16M11\* / SC16M11\*REV



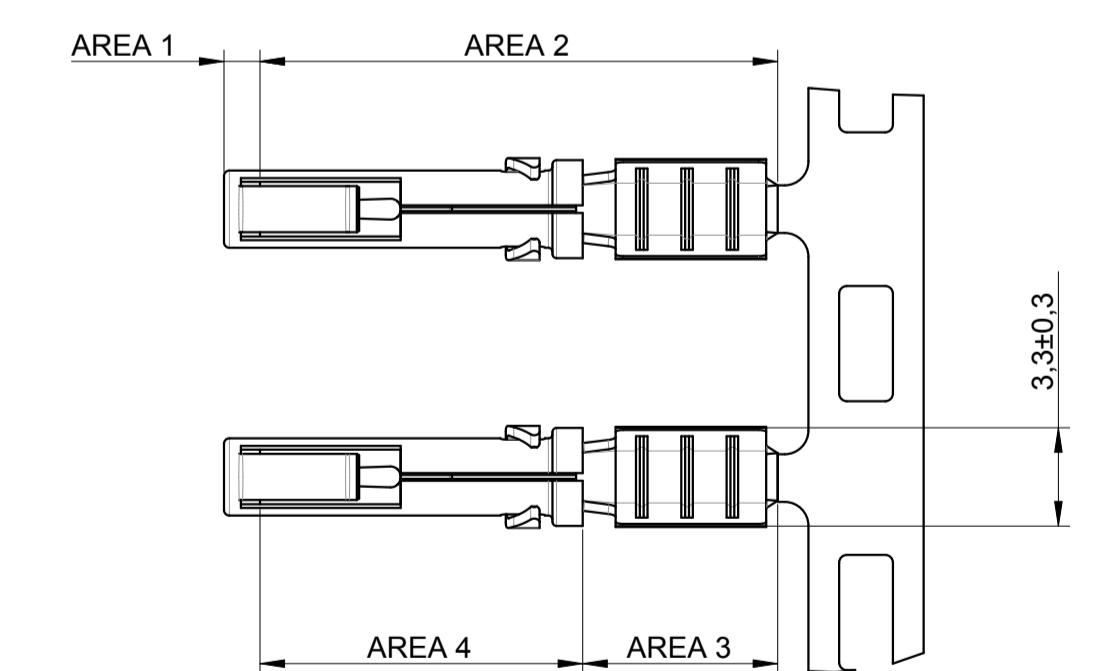
SC16M1\* / SC16M1\*REV



SC14ML1\*



SC14M1\* / SC14M1\*REV



FEMALE CONTACT CAT. N°	Packaging	WIRE SIZE		WIRE INSUL. DIAM. IN MM.	WIRE STRIP LENGTH IN MM.	HAND CRIMP TOOLING		EXTRACTION TOOL
		AWG	MM²			DIE SET	HANDTOOL FOR LOOSE PIECE	
SC24ML1*	Loose contacts in platic bag	26/24	0.12/0.25	0.90/1.60	4.0	S16SCM20	SHANDLES	RX2025GE1
SC24M1* / SC24M1*REV	Strip contacts on reel							
SC20ML1*	Loose contacts in platic bag	22/20	0.32/0.50	1.20/2.10	4.0	S16SCM20	SHANDLES	
SC20M1* / SC20M1*REV	Strip contacts on reel							
SC16ML11*	Loose contacts in platic bag	18/16	0.82/1.50	3.0 Max	4.65	S16SCML11	SHANDLES	
SC16M11* / SC16M11*REV	Strip contacts on reel							
SC16ML1*	Loose contacts in platic bag	18/16	0.82/1.50	3.2 Max	6.35	S16SCML1	SHANDLES	
SC16M1* / SC16M1*REV	Strip contacts on reel							
SC14ML1*	Loose contacts in platic bag	14	2.10/2.50	3.2 Max	6.35	S16SCML1	SHANDLES	
SC14M1* / SC14M1*REV	Strip contacts on reel							

**\* PLATING**

- S6 = 0.75µ GOLD MIN. OVER Ni GOLD FLASH OVER Ni	(AREA 1) (AREA 2)	For standard winding	See View
- D70 = 0.13µ GOLD MIN. OVER Ni GOLD FLASH OVER Ni	(AREA 1) (AREA 2)		
- TK6 = 0.5-2.5µ Sn PRE-PLATED	(AREA 1+2)		
- S18 = 0.75µ GOLD MIN OVER Ni 1.3µ MINI Sn OVER Ni 1.3µ MINI Ni	(AREA 1) (AREA 3) (AREA 4)	For standard winding only	See View
- S31 = GOLD FLASH OVER Ni 1.3µ MINI Sn OVER Ni 1.3µ MINI Ni	(AREA 1) (AREA 3) (AREA 4)		
- D70REV = 0.13µ GOLD MIN. OVER Ni 1.3µ MINI Sn OVER Ni 1.3µ MINI Ni	(AREA 1) (AREA 3) (AREA 4)	For reverse winding only	

**CONSTRUCTION :**

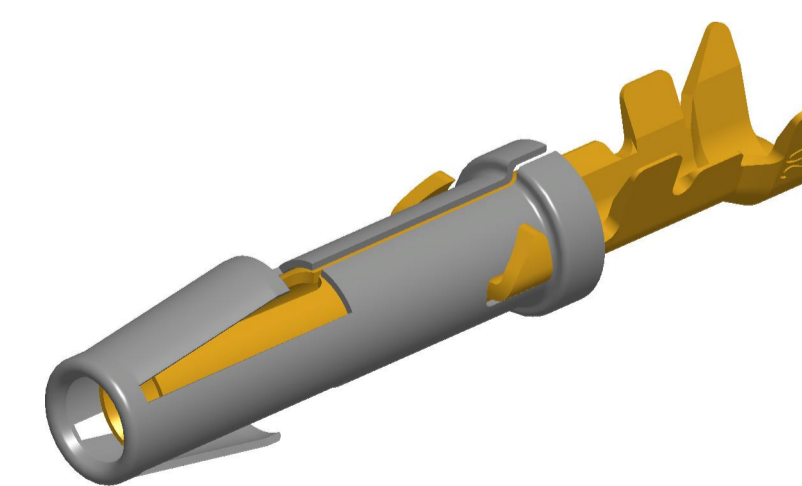
CONTACT BODY : HIGH CONDUCTIVITY COPPER ALLOY.  
OUTER SPRING : STAINLESS STEEL.  
PACKING CONTACTS ON STANDARD STRIP : 3000 PCS. PER REEL, E.G. SC16M11\*  
PACKING CONTACTS ON REVERSE STRIP : 3000 PCS. PER REEL, E.G. SC16M11\*REV  
FOR WINDING DIRECTION ON REEL (STANDARD OR REVERSE) : SEE BS.C.200178.004  
PACKING LOOSE PIECE CONTACTS : 100 PCS PER STD. PACKING E.G. SC16ML11\*

**CONNECTOR ACCOMMODATION**

THESE CONTACTS CAN BE USED IN ANY CONTACT POSITION IN ANY CONNECTOR IN THE TRIM TRIO INTERCONNECTION SYSTEM : MSM - MSG - MB RECTANGULAR CONN. , SMS QIKMATE CONN. , UTO - UTS - UTL - UTG AND UTP - MBG CIRCULAR CONN.

**PERFORMANCE CHARACTERISTICS**

CURRENT RATING : 13 A CONTACT RETENTION IN BODY : 65 N MIN.  
CONTACT RESISTANCE : <= 6m Ohm INDIVIDUAL INSERTION FORCE : 3.5 N MAX.  
OPERATING VOLTAGE : 750 V RMS INDIVIDUAL WITHDRAWAL FORCE : 0.55 N MIN.



ECHELLE 7/1

SOURIAU shall not be liable for any non-conformity or damage due to a use of the Products which does not comply with the Specifications issued by either of the Parties or by a third party (professional recommendation, technical notice.)

B	05/08/2019	Update of the dimensions for the "U" shape		
ISS	DATE	Update drawing		MOD N°
Designed by:	COURTOIS L.	Date:	03/04/2019	CUSTOMER DRAWING
TITLE				
FEMALE FORMED TWO PIECE CONTACT				
SC-M--				
Scale	4/1	Dimensions in mm	NPRDS / PROJECT	
		General linear	TRIM TRIO	
		Tolerances:		
		±		
SOURIAU		www.esterline-connection-technologies.com		This document is the property of SOURIAU. It must not be reproduced or communicated without permission.
FORMAT	A1	SOURIAU DRG N°		SHEET
		BS-C-200178-002		1 / 1

## X-ON Electronics

Largest Supplier of Electrical and Electronic Components

*Click to view similar products for [Sunbank](#) manufacturer:*

Other Similar products are found below :

[MS27468T19B35S](#) [M85049/60-1W12](#) [M85049/6-28W](#) [M85049/88-9N03](#) [D3899920FC8PN](#) [D38999/20WA35SN](#) [D3899920WJ35PN](#)  
[D3899924FA98SN](#) [D3899924WH35AN](#) [D38999/26KJ35PN](#) [ETH1-1101A](#) [82913603A](#) [851-02E128P50](#) [851-02E1412P5016](#) [851-06E106P50](#)  
[851-06EC123S50](#) [851-06EC833P50](#) [851-07R1626P50](#) [85202A14](#) [8D109B02](#) [8D525F08AA](#) [8DA003Z05SN](#) [8DA603Z05PN](#)  
[8DA705F06PN](#) [8ST508G98SN](#) [8ST7-12G35PN](#) [RBGT-2](#) [D38999/26WG11PB](#) [D38999/26WG35PN](#) [RCS16M23D28](#) [MS25043-36D](#)  
[MS27467T19B35S](#) [MS27467T25F37S](#) [JBX2OUTLP09](#) [JBX2OUTLS07](#) [JBX2OUTLS09](#) [JBX2OUTLS13](#) [JBX2OUTLT20](#)  
[JBXFN0A07ME360J2](#) [JBXOUTDC07](#) [8D0-C15F35PN](#) [8D39C15F35PN](#) [8STA61235PA](#) [8STA62035SN](#) [RBDSC-2](#) [M85049/1911W02](#)  
[M85049/1913N04](#) [M85049/39S11W](#) [M85049/39S13W](#) [M85049/39S19W](#)