

Sunbank

MEGGITT
smart engineering for
extreme environments

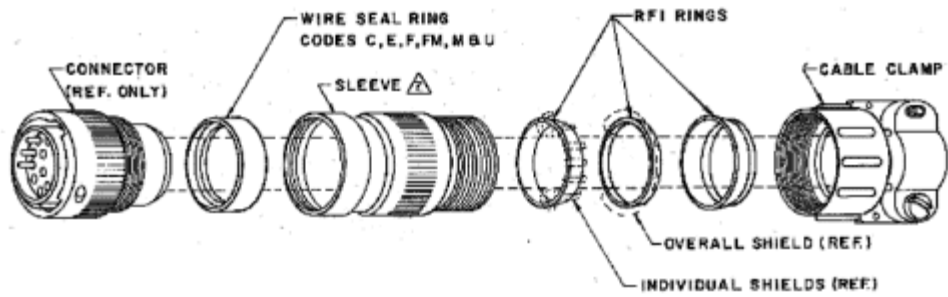
- ◆ Home
- ◆ Self-Seating™ Accessories
- ◆ Sunflex Conduit Systems
- ◆ Rectangular Accessories
- ◆ Composite Accessories
- ◆ **SE UNI-Adapter**
- ◆ Technical Solutions Representatives
- ◆ Distributor Partners
- ◆ Request for Quote
- ◆ Catalogs
- ◆ MIL-C-85049
- ◆ FAA - PMA List
- ◆ Build a Backshell®
- ◆ Quality Policy
- ◆ Air-Dry Company
- ◆ Job Opportunities
- ◆ Parts Available Now & Distributor Inventory
- ◆ Fiber Optic Connectors and Accessories

Straight Accessories

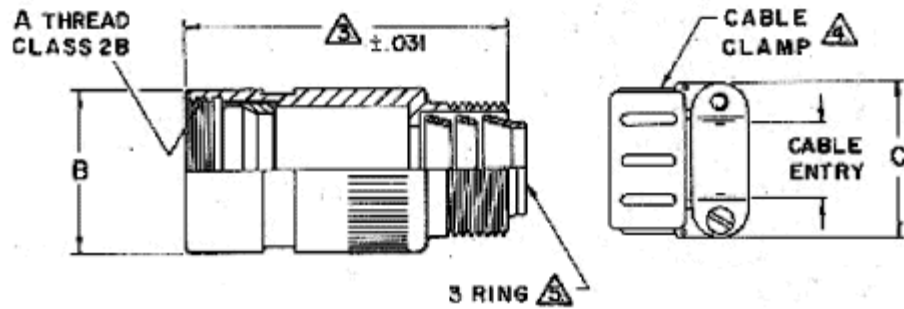
SE9

[CLICK HERE TO VIEW A LARGER IMAGE](#)

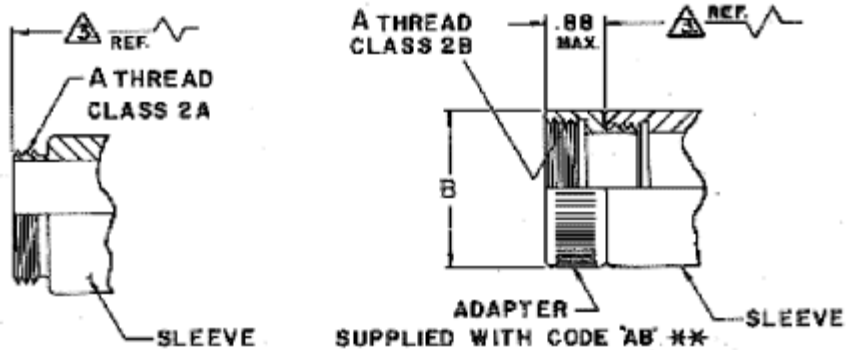
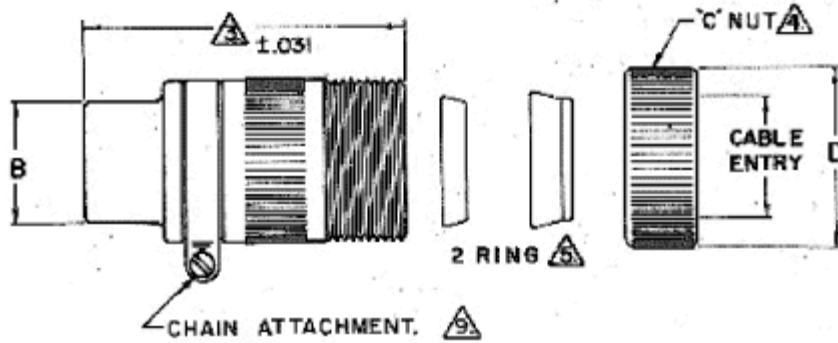
[Search By Part Number](#)



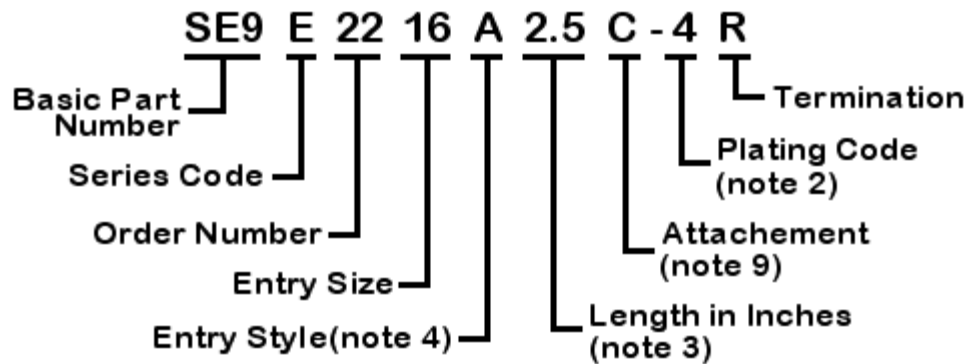
STEP-DOWN



STEP-UP



EXAMPLE BASIC PART NUMBER



[click here for SERIES CODE INFORMATION](#)

ENTRY SIZE	C MAX DIA	D MAX DIA	CABLE ENTRY	
			MAX	MIN
04	.906	.719	.312	.188
06	1.094	.844	.438	.281
08	1.188	1.016	.562	.344
10	1.281	1.130	.625	.375
12	1.500	1.321	.750	.438
16	1.719	1.575	.938	.562
20	2.062	1.906	1.250	.750
24	2.312	2.156	1.375	.781

NOTES:

1. Identified Per MIL-STD-130
2. [Plating Index for Finishes Available](#)
3. Length to be specified by customer, 1.5 inch min.; .5 inch increments. Consult Factory for availability of shorter lengths.
4. Insert letter 'C' for 'C' Nut (no strain relief), Letter 'A' for MS3057-*A Cable Clamp.
5. Insert letter 'R' for adapter with (3) RFI Rings to terminate individual and overall shields. Omit 'R' for standard (2) ring for individual or overall shield.
6. Material; Adapter Components; Aluminum Alloy Per QQ-A-225 or QQ-A-591. Cable clamp I.A.W. MS3057.
7. Insert the letter 'R' after series code designator to obtain [spin coupling](#). Available on Series Codes C,F,FM,G & U only.
8. See [SE96](#) for entry styles not shown (Consult Factory for Availability).
9. Insert the letter 'C' in part number for chain attachment. (Omit if not required)

DIMENSIONS ARE IN INCHES
Tolerance, unless otherwise specified:

.X ± .03 (1.5)
.XX ± .010 (0.8)
.XXX ± .005 (0.4)

Angles: ± 5 degrees

Fractions ± 1/32

[Click here for this part's assembly procedure \(AP9\)](#)

Joslyn Sunbank Company, LLC

1740 Commerce Way Paso Robles, CA 93446

TEL: (805) 238-2840 FAX: (805) 238-0241

[Email Us](#) [Sales / Marketing Inquires](#)

X-ON Electronics

Largest Supplier of Electrical and Electronic Components

Click to view similar products for [Accessories for Robotics and RC](#) category:

Click to view products by [Sunbank](#) manufacturer:

Other Similar products are found below :

[56T705](#) [015-9516-002](#) [01.001.6453.0](#) [641763-8](#) [CW106-01X](#) [CW30101A](#) [CW31701A](#) [D2041839](#) [70.352.0628.0](#) [73.353.4028.1](#) [FB22001A](#)
[FB30601A](#) [9009030000](#) [9501](#) [121587-0026](#) [1218510-1](#) [1218629-4](#) [1218630-4](#) [1261000A00M001](#) [128-26-5](#) [RFI77-14](#) [1367251-2](#) [14](#) [1-](#)
[449604-1](#) [1460g4](#) [1470g4](#) [DV0PM20034](#) [MS27488-16-1](#) [MS3057-12A W/B](#) [MS3057-8A-624](#) [MS600-2-XP-1A](#) [MS-602-GEE-14-07C](#)
[MS603-12-01A](#) [MS90376-14R](#) [MS90376-16RB](#) [MTB1-11PH3](#) [1676610000](#) [1A9224 REV A](#) [210-115](#) [CA20L22](#) [2227383-1](#) [225-0090-000](#)
[225-0098-000](#) [KA-89-82](#) [CB20201X](#) [KC-89-104](#) [CB30601A](#) [CB31201A](#) [236-600](#) [CBC120210-752](#)