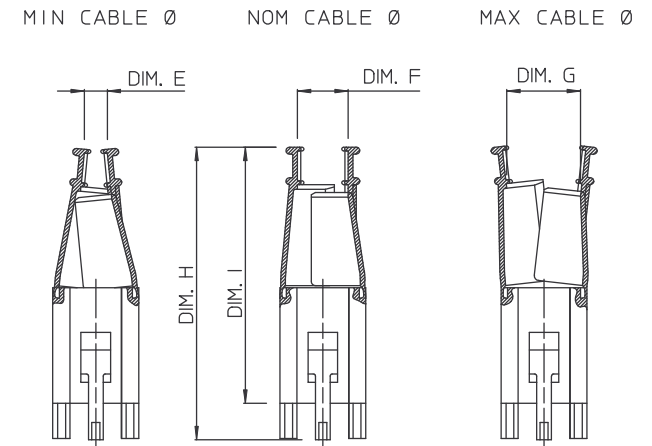
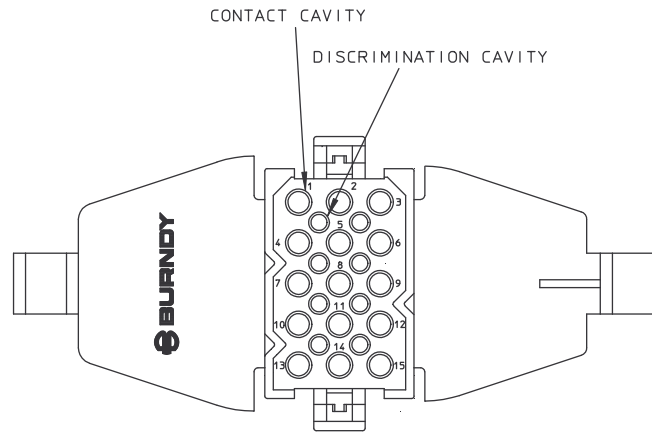
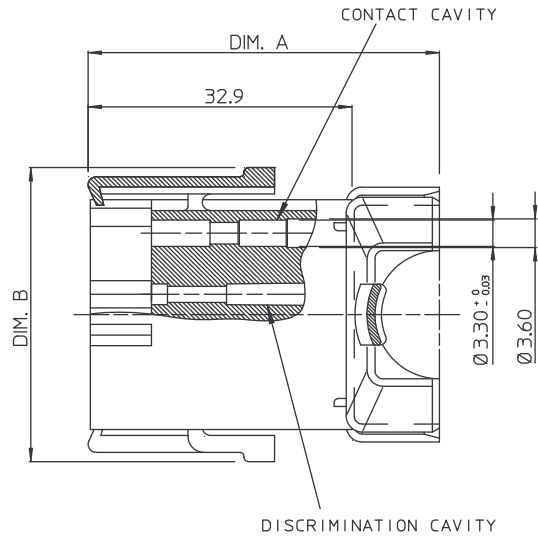


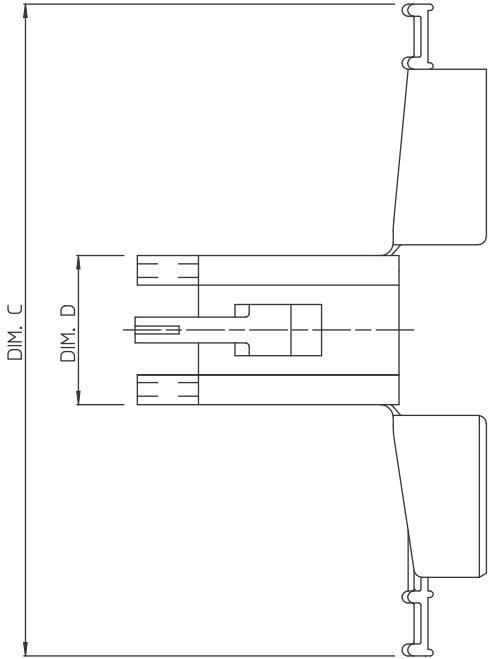
GEN. ST.	01	02	03	04	05	06	07	08	0D	50	60	70	80	90	REV.	DATE	DESCRIPTION	BY	C'K'D'																		
INT. ST.	10	11	12	13	14	18	20	31	32	33	34	38	39	40	42	43	44	45	46	48	56	70	72	73	75	76	81	82	83	84	88	01	05.05.95	MARKING COMPLETED	G.D.		
																																	02	06.01.96	BEC 9.3341	S.V.D.	



MATERIAL
POLYAMIDE 6.6 / UL94-V2 / COLOUR: BLACK

PERFORMANCE CHARACTERISTICS
OPERATING TEMPERATURE: -55°C TO 105°C
INSULATION RESISTANCE: 5000 MΩ MIN.
TEST POTENTIAL : 2000 VAC
DURABILITY : 500 CYCLES

- NOTES**
- CONNECTOR ACCEPTS TRIM TRIO FORMED, MACHINED AND SUBMINIATURE COAXIAL PIN AND SOCKET CONTACTS.
CONTACTS TO BE ORDERED SEPERATELY: REFER TO TRIM TRIO CATALOG.
 - RAISED CONTACT MARKING ON BOTH: MATING AND WIRING FACE.
 - FOR LOCKING OF STRAIN RELIEF HOOD, USE UNIRAP CABLE TIE (SEE TABLE BELOW).
 - DISCRIMINATION WITH PINS IS GUARANTEED WITHOUT LOSS OF CONTACT POSITIONS.
IF DISCRIMINATION PINS ARE NEEDED: ORDER SMSPK3 PER BS,C ,201424.003
 - FOR THE CONFIGURATION OF ALL SIZES SEE DRAWING : BS,C ,201424.007.
 - FOR INTERMATEABILITY WITH OTHER PARTS SEE DRAWING : BS,C ,201424.008.



CATALOG NUMBER	QUANTITY OF CONTACT CAVITIES	QUANTITY OF DISCRIMINATION CAVITIES	DIMENSIONS IN MM										RECOMMENDED UNIRAP CABLE TIE
			A	B	C	D	E (Ø)	F (Ø)	G (Ø)	H	I		
SMS2PDH1	2	0	39.5	16.4	64.8	14.1	0.5	7.4	8.4	57.1	49.2	TF-4BKD	
SMS3PDH1	3	0	43.0	16.4	69.0	18.6	0.8	4.1	7.3	57.0	49.1	TF-4BKD	
SMS4PDH1	4	0	46.1	16.4	74.4	23.7	1.5	5.4	10.0	57.1	49.2	TF-4BKD	
SMS6PDH1	6	2	42.5	21.5	72.6	18.6	1.7	6.8	9.2	58.8	50.9	TF-4BKD	
SMS9PDH1	9	4	43.7	26.7	75.3	18.6	3.9	9.3	14.3	60.1	52.2	TF-5BKD	
SMS12PDH1	12	6	46.0	31.7	72.0	18.6	4.0	10.0	15.0	60.6	52.7	TF-5BKD	
SMS15PDH1	15	8	43.8	36.7	81.3	18.6	5.0	11.0	16.2	63.1	55.2	TF-5BKD	
SMS18PDH1	18	10	44.0	41.8	81.3	18.6	5.8	12.5	20.3	63.1	55.2	TF-5BKD	
SMS24PDH1	24	15	47.6	41.8	90.4	23.7	7.1	12.4	20.4	65.1	57.2	TF-5BKD	
SMS36PDH1	36	24	62.5	31.7	128.0	49.1	8.8	13.0	24.5	71.2	63.3	TF-5BKD	

RELEASED FOR PRODUCTION

1DEC ±0.2 1DEC 2DEC ±0.1 2DEC ANGLES ±1° HOEKEN	APPR. DRAFT CHECKED	DATE 14-04-94	SIGN. G. DROESBEKE	QIKMATE PLUG WITH MOULDED-ON HOOD AND DISC. CAV.
WE RESERVE THE RIGHT TO CHANGE DIMENSIONS OR REQUIREMENTS WITHOUT PRIOR NOTICE.	PROD. MGR. PR.ENG.MGR. PR.MGT.MGR.			CAT. No. SMS--PDH1
ALL DIMENSIONS IN MM ALLE AFMETINGEN IN MM	REFERENCES / REFERENTIES			SOURIAU Route Nationale 23 72470 CHAMPAGNE
				SCALE 1.5/1
				NOT EXPORT CONTROLLED
				BS,C ,201424,006,02 DRAWING No. CUSTOMER DRAWING

THIS IS OUR EXCLUSIVE PROPERTY. IT IS NOT TO BE COPIED, REPRINTED OR DISCLOSED TO A THIRD PARTY, NOR USED FOR MANUFACTURING WITHOUT OUR WRITTEN CONSENT, AND HAS TO BE RETURNED TO US IN CASE OF NO USAGE

DIT IS ONZE EIGENDOM EN MAG NOCH NAGEMAAKT. HERDRUKT, OVERGEMAAKT AAN DERDEN, NOCH VOOR FABRIKATIE GEBRUIKT WORDEN, ZONDER ONZE SCHRIFTELIJKE TOELATING, BIJ NIET GEBRUIK IS TERUGZENDING VERPLICHT.

X-ON Electronics

Largest Supplier of Electrical and Electronic Components

Click to view similar products for [Headers & Wire Housings](#) category:

Click to view products by [Sunbank](#) manufacturer:

Other Similar products are found below :

[892-18-020-10-001101](#) [58102-G61-06LF](#) [582553-1](#) [0009485154](#) [009176003701906](#) [0050291907](#) [LY20-4P-DT1-P1E-BR](#) [02.125.8002.8](#)
[609-3404](#) [61062-3](#) [61082-181009](#) [622-3653LF](#) [63453-116](#) [636-1030](#) [636-1427](#) [636-3427](#) [636-4007](#) [641938-9](#) [641991-4](#) [644827-2](#) [65817-](#)
[010LF](#) [65817-015LF](#) [65863-015LF](#) [66207-023LF](#) [67095-007LF](#) [67601157](#) [68645-018](#) [68648-049](#) [70.362.1628.0](#) [70-4210](#) [70-4226B](#) [70-](#)
[4853B](#) [707-5020](#) [707-5028](#) [71.350.2428.0](#) [71918-208LF](#) [71961-016LF](#) [733-134](#) [733-162](#) [754199-000](#) [760-3052](#) [787-8014-00](#) [79531-3000](#)
[FCN-360C032-B](#) [FCN-367T-T012/H](#) [FCN-723D010/2](#) [80.063.4001.1](#) [800-90-001-10-001000](#) [800-90-010-10-002000](#) [801-43-002-10-013000](#)