

Rack and panel connectors



SN 253 SN 353

Descriptions

- Rack & panel floating coaxial connector compensating for misalignment of ± 1 mm
- Available in solder or crimp version
- Printed circuit floating receptacle

SN 253

- Rack & panel contact coaxial connector, solder type

SN 353

- Rack & panel coax connector, crimp type



Applications

- Civil & military aircraft (instrument panel)
- Defence (interface pylon/munition)

Technical features

SN 253

Mechanical

- Shell : copper alloy
- Plating : gold, silver or nickel
- Insulator : black polyamid
- Solder contacts : copper alloy
- Plating : gold with nickel under plating

Climatics

- Operating temperature : -55°C $+85^{\circ}\text{C}$

Electrical

- Voltage rating : 500 V
- Contact resistance : $< 8\text{ m}\Omega$
- Insulation resistance : $> 5000\text{ M}\Omega$
- Contact rating :
 - 7,5 A Max
 - 5 A nominal

Others

- Intermateable with SN 353 connector serie
- Mass : 0,60 g

SN 353

Mechanical

- Shell : copper alloy
- Plating : nickel
- Insulator : polyamid and black epoxy
- Removable contacts : copper alloy
- Plating : gold with nickel

Climatics

- Operating temperature : -55°C $+85^{\circ}\text{C}$

Electrical

- Voltage rating : 500 V
- Contact resistance : $< 8\text{ m}\Omega$
- Insulation resistance : $> 5000\text{ M}\Omega$
- Contact rating :
 - 7,5 A Max
 - 5 A nominal

Others

- Intermateable with SN 253
- Mass : 5,5 g

For further information, please consult the customer drawing and technical specifications

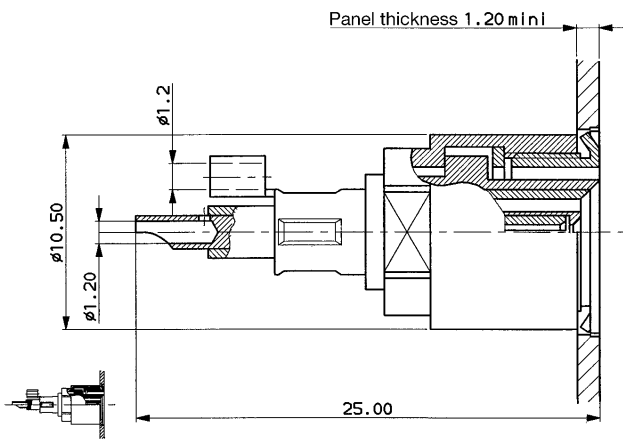
Rack and panel connectors



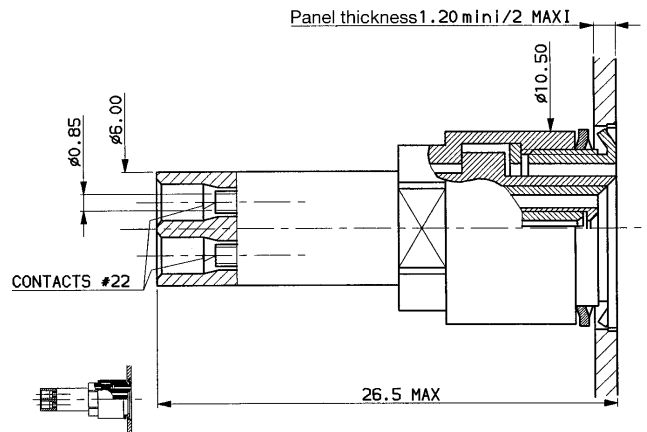
Dimensions



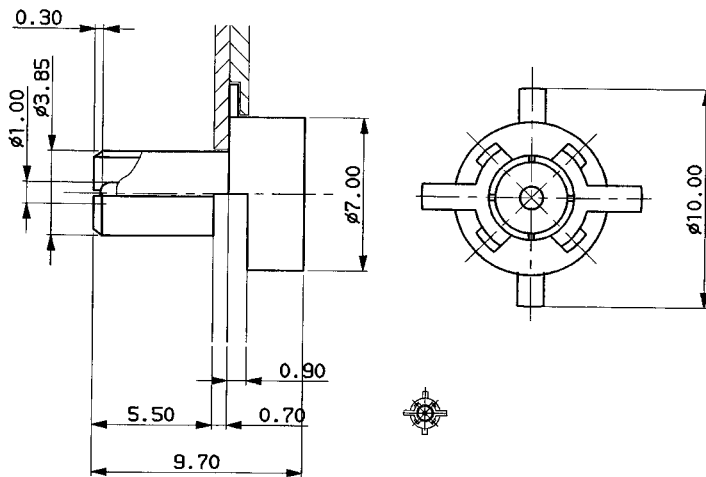
SN 253S



SN 353S



SN 253P



X-ON Electronics

Largest Supplier of Electrical and Electronic Components

Click to view similar products for [Rack & Panel Connectors](#) category:

Click to view products by [Sunbank](#) manufacturer:

Other Similar products are found below :

[00171410002](#) [00171420202](#) [00171440002](#) [02-014-013-5200-000](#) [613467-000](#) [CTJ112E01E-513](#) [CTJ116E03A-513](#) [66020-2](#) [CW8958-000](#)
[699886-000](#) [D250-50632](#) [70.400.3240.0](#) [70.955.2453.3](#) [733753-000](#) [F22831-000](#) [780-522-DPX34RG8-02](#) [8660-501](#) [87.060.0053.0](#)
[900709N001](#) [928358-1](#) [D-659-0061](#) [1-445717-6](#) [1484469-2](#) [1604997-2](#) [MTC100-BF1-P31CS015](#) [MTC100-KT2-0083](#) [MTC100-KT2-0123-](#)
[003](#) [MTC100-YA1-005](#) [MTC PQKT1R2PGCA](#) [MTCR-103-04S](#) [MTCX1X-100-100CS025](#) [1738331-1](#) [1757667-1](#) [1811481-1](#) [1883433-1](#)
[201046-7](#) [202648-4](#) [213364-1](#) [226503-000](#) [937028-164](#) [1663130-2](#) [172305-4](#) [F36711-000](#) [202355-2](#) [202356-2](#) [G16S-A](#) [G20S-AB](#) [CHA-](#)
[0017-003](#) [CHA-0296](#) [354654-000](#)