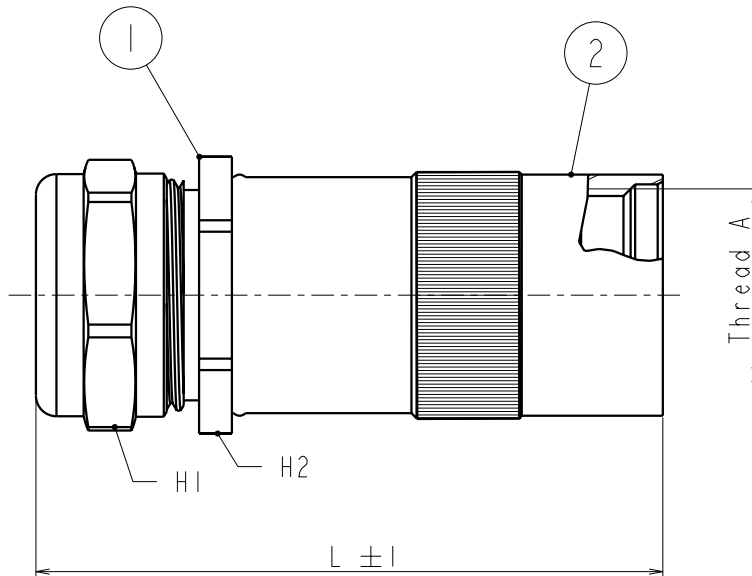


Reference	∅ ISO	L (mm)	H1 (mm)	H2 (mm)	Clamping range min/max	Torque (Nm) on the hood	Torque (Nm) on the body	Thread A
UTO10JC	M16	60.5	14	17	03/06	5	6	9/16-24 UNEF Class 2A
UTO10JCL	M16	60.5	17	17	05/08	5	6	9/16-24 UNEF Class 2A
UTO12JC	M20	61.5	20	22	06/10	8	10	11/16-24 UNEF Class 2A
UTO12JCL	M20	62.5	22	22	08/12	8	10	11/16-24 UNEF Class 2A
UTO14JC	M20	67.5	20	22	06/10	8	10	13/16-20 UNEF Class 2A
UTO14JCL	M20	68.5	22	22	08/12	8	10	13/16-20 UNEF Class 2A
UTO16JC	M25	73.5	24	26	9.5/14	12	14	15/16-20 UNEF Class 2A
UTO16JCL	M25	79.5	30	30	11.5/18	12	14	15/16-20 UNEF Class 2A
UTO18JC	M25	76.0	24	26	9.5/14	12	14	1" 1/16-18 UNEF Class 2A
UTO18JCL	M25	82.0	30	30	11.5/18	12	14	1" 1/16-18 UNEF Class 2A
UTO20JC	M32	84.0	30	33	11.5/18	20	24	1" 3/16-18 UNEF Class 2A
UTO20JCL	M32	91.0	40	40	15/24	20	24	1" 3/16-18 UNEF Class 2A
UTO22JC	M32	88.0	30	33	11.5/18	20	24	1" 5/16-18 UNEF Class 2A
UTO22JCL	M32	95.0	40	40	15/24	20	24	1" 5/16-18 UNEF Class 2A
UTO24JC	M32	92.0	30	33	11.5/18	20	24	1" 7/16-18 UNEF Class 2A
UTO24JCL	M32	99.0	40	40	15/24	20	24	1" 7/16-18 UNEF Class 2A



MATERIAL :

Cable clamp: Brass nickel plated
 Tube: Brass nickel plated

PERFORMANCE CHARACTERISTICS :

Operating temperature: -40°C up to 105°C
 Corrosion salt spray: 96 hours

B	05/05/04	--	Add large backshell part number	--
ISS	DATE	Latest modification - by:	C. PROVOST	MOD N°
Designed by:		C. PROVOST	Date: 11/03/04	Type of drawing: ASSEMBLAGE
Checked by:		SEE DISTRIBUTION LIST	Date: SEE DISTRIBUTION LIST	
TITLE		Connector UTO et UTOW Kit cable clamp with tube		
Scale	General angular	MATERIAL : --		
3/1	Tolerances: ± --			
General linear	General machining	Geometrical Tolerances	PROJECT	
	Tolerances: ± --		surface texture	See NF E 04-552
		SOURIAU Route Nationale 23 72470 CHAMPAGNE Tel. (33)02.43.54.35.00		This document is the property of SOURIAU It must not be reproduced or communicated without permission
FORMAT	SOURIAU DRG N°			SHEET
A2	UTOXXJC-C02			1 / 1

X-ON Electronics

Largest Supplier of Electrical and Electronic Components

Click to view similar products for [Standard Circular Connector](#) category:

Click to view products by [Sunbank](#) manufacturer:

Other Similar products are found below :

[5M2530B10P](#) [600259N006](#) [600273N007](#) [6134-336-13149](#) [6134-337-11149](#) [6134-337-2390](#) [6134-341-17149](#) [6280-4SG-516](#) [6280-7SG-3DC](#)
[6290](#) [6291A](#) [66200A-10](#) [680-SMG](#) [681-PMG](#) [CXS3102A14S2P](#) [CXS3102A181S](#) [7271-6SG-300](#) [7282-3PG-300-CH3](#) [75-474014-05S](#) [75-](#)
[474618-01S](#) [75-474618-04P](#) [75-474618-04S](#) [799539-000](#) [MI8-SE](#) [805-005-07NF11-19PC](#) [805-005-07NF15-7PA](#) [8280-4PG-516](#) [8280-7PG-](#)
[519](#) [8282-5PG-519](#) [836783-1](#) [MP-4102-25P-C](#) [862256-1](#) [864019-2](#) [866857-1](#) [867865-1](#) [PT01SP-14-18P](#) [PT08P-14-5S](#) [120-1833-000](#)
[QCM019PC2DC012B](#) [1-2069279-1](#) [121583-0217](#) [121667-0020](#) [129591AU](#) [1000B BULK](#) [RD10A16-19-P6CS051/1](#) [RD10A20-31-](#)
[P8CS051/1](#) [RD16A14-12-S6CS051/2](#) [1301240290](#) [1301240347](#) [1301860202](#) [1301240268](#)