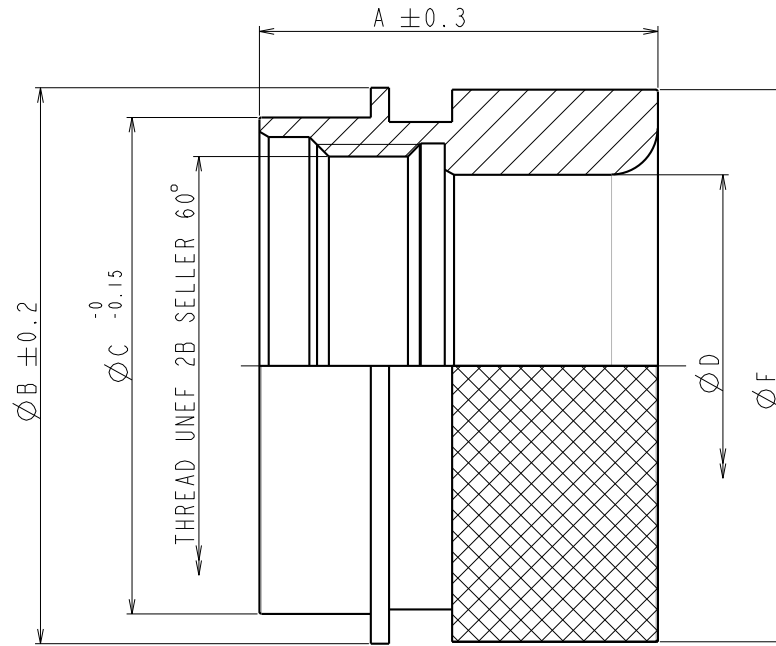
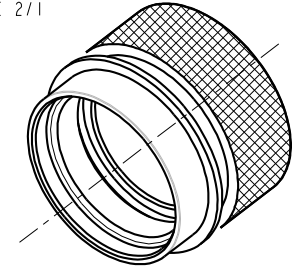


ECHELLE 2/1



MATERIAL :

Shell: Aluminium alloy nickel plated

PERFORMANCE CHARACTERISTICS :

Operating temperature: -40°C up to 105°C
Corrosion salt spray: 48 hours

Shell	Reference	Thread UNEF	A	ØB	ØC	ØD	ØF
10	UTO10AD	9/16 24	24.7	21.0	17.0	11.6	18.4
12	UTO12AD	11/16 24	24.7	24.0	21.2	14.5	23.7
14	UTO14AD	13/16 20	24.7	27.0	23.6	17.7	24.5
16	UTO16AD	15/16 20	27.0	30.0	27.3	20.6	29.8
18	UTO18AD	1" 1/16 18	27.0	33.3	30.0	23.1	32.0
20	UTO20AD	1" 3/16 18	27.0	36.5	33.6	26.3	36.1
22	UTO22AD	1" 5/16 18	27.0	39.7	35.85	29.2	38.5
24	UTO24AD	1" 7/16 18	27.0	42.9	40.2	32.4	41.6

B	10/06/04	Up dating of the drawing		---
ISS	DATE	Latest modification - by: C. PROVOST		MOD N°
Designed by: C. PROVOST		Date: 30/04/03	Type of drawing: CUSTOMER	
Checked by: SEE DISTRIBUTION LIST		Date: SEE DISTRIBUTION LIST		
TITLE		CONNECTOR UTO-UTOW METAL SHRINK BOOT ADAPTOR		
Scale	General angular	MATERIAL 2017A or 2011 ROHS		
5/1	Tolerances: ± ..	compliant lead allowed : 0.4% maxi		
	General linear	General machining		Geometrical Tolerances
	Tolerances: ±:..	surface texture		See NF E 04-552
	SOURIAU Route Nationale 23 72470 CHAMPAGNE Tel. (33)02.43.54.35.00		This document is the property of SOURIAU It must not be reproduced or communicated without permission	
	FORMAT	SOURIAU DRG N° UTOXXAD-C01		SHEET 1 / 1

X-ON Electronics

Largest Supplier of Electrical and Electronic Components

Click to view similar products for [Standard Circular Connector](#) category:

Click to view products by [Sunbank](#) manufacturer:

Other Similar products are found below :

[5M2530B10P](#) [600259N006](#) [600273N007](#) [6134-336-13149](#) [6134-337-11149](#) [6134-337-2390](#) [6134-341-17149](#) [6280-4SG-516](#) [6280-7SG-3DC](#)
[6290](#) [6291A](#) [66200A-10](#) [680-SMG](#) [681-PMG](#) [CXS3102A14S2P](#) [CXS3102A181S](#) [7271-6SG-300](#) [7282-3PG-300-CH3](#) [75-474014-05S](#) [75-](#)
[474618-01S](#) [75-474618-04P](#) [75-474618-04S](#) [799539-000](#) [MI8-SE](#) [805-005-07NF11-19PC](#) [805-005-07NF15-7PA](#) [8280-4PG-516](#) [8280-7PG-](#)
[519](#) [8282-5PG-519](#) [836783-1](#) [MP-4102-25P-C](#) [862256-1](#) [864019-2](#) [866857-1](#) [867865-1](#) [PT01SP-14-18P](#) [PT08P-14-5S](#) [120-1833-000](#)
[QCM019PC2DC012B](#) [1-2069279-1](#) [121583-0217](#) [121667-0020](#) [129591AU](#) [1000B BULK](#) [RD10A16-19-P6CS051/1](#) [RD10A20-31-](#)
[P8CS051/1](#) [RD16A14-12-S6CS051/2](#) [1301240290](#) [1301240347](#) [1301860202](#) [1301240268](#)