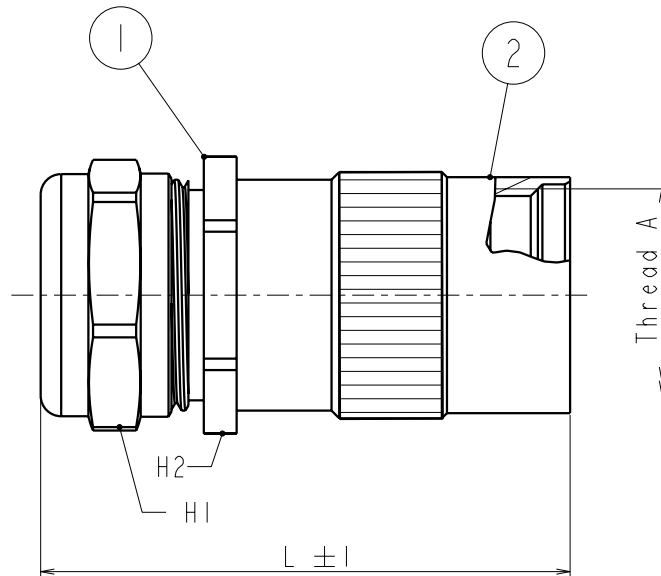


Reference	∅ ISO	L (mm)	H1 (mm)	H2 (mm)	Clamping range min/max	Torque (Nm) on the hood	Torque (Nm) on the body	Thread A
UTO10JCS	M16	48.5	14	17	03/06	5	6	9/16-24 UNEF Class 2A
UTO10JCSL	M16	48.5	17	17	05/08	5	6	9/16-24 UNEF Class 2A
UTO12JCS	M20	48.5	20	22	06/10	8	10	11/16-24 UNEF Class 2A
UTO12JCSL	M20	49.5	22	22	08/12	8	10	11/16-24 UNEF Class 2A
UTO14JCS	M20	53.5	20	22	06/10	8	10	13/16-20 UNEF Class 2A
UTO14JCSL	M20	54.5	22	22	08/12	8	10	13/16-20 UNEF Class 2A
UTO16JCS	M25	62.5	24	26	9.5/14	12	14	15/16-20 UNEF Class 2A
UTO16JCSL	M25	68.5	30	30	11.5/18	12	14	15/16-20 UNEF Class 2A
UTO18JCS	M25	65.5	24	26	9.5/14	12	14	1" 1/16-18 UNEF Class 2A
UTO18JCSL	M25	71.5	30	30	11.5/18	12	14	1" 1/16-18 UNEF Class 2A
UTO20JCS	M32	70.5	30	33	11.5/18	20	24	1" 3/16-18 UNEF Class 2A
UTO20JCSL	M32	77.5	40	40	15/24	20	24	1" 3/16-18 UNEF Class 2A
UTO22JCS	M32	76.5	30	33	11.5/18	20	24	1" 5/16-18 UNEF Class 2A
UTO22JCSL	M32	83.5	40	40	15/24	20	24	1" 5/16-18 UNEF Class 2A
UTO24JCS	M32	82.0	30	33	11.5/18	20	24	1" 7/16-18 UNEF Class 2A
UTO24JCSL	M32	89.0	40	40	15/24	20	24	1" 7/16-18 UNEF Class 2A



MATERIAL :

Cable clamp: Brass nickel plated
 Tube: Brass nickel plated

PERFORMANCE CHARACTERISTICS :

Operating temperature: -40°C up to 105°C
 Corrosion salt spray: 96 hours

A	07/06/04	--	Creation of the drawing	--
ISS	DATE	Latest modification - by:	--	MOD N°
Designed by: C. PROVOST		Date: 07/06/04	Type of drawing: ASSEMBLAGE	
Checked by: SEE DISTRIBUTION LIST		Date: SEE DISTRIBUTION LIST		
TITLE		Connector UTO et UTOW Kit cable clamp with tube		
Scale	General angular	MATERIAL : --		
3/1	Tolerances: ± --			
	General linear	General machining	Geometrical Tolerances	PROJECT
	Tolerances: ± --	surface texture	See NF E 04-552	MSK1
		SOURIAU Route Nationale 23 72470 CHAMPAGNE Tel. (33)02.43.54.35.00		This document is the property of SOURIAU It must not be reproduced or communicated without permission
FORMAT	SOURIAU DRG N°			SHEET
A2	UTOXXJCS-C02			1 / 1

NOT EXPORT CONTROLLED

X-ON Electronics

Largest Supplier of Electrical and Electronic Components

Click to view similar products for [Standard Circular Connector](#) category:

Click to view products by [Sunbank](#) manufacturer:

Other Similar products are found below :

[5M2530B10P](#) [600259N006](#) [600273N007](#) [6134-336-13149](#) [6134-337-11149](#) [6134-337-2390](#) [6134-341-17149](#) [6280-4SG-516](#) [6280-7SG-3DC](#)
[6290](#) [6291A](#) [66200A-10](#) [680-SMG](#) [681-PMG](#) [CXS3102A14S2P](#) [CXS3102A181S](#) [7271-6SG-300](#) [7282-3PG-300-CH3](#) [75-474014-05S](#) [75-](#)
[474618-01S](#) [75-474618-04P](#) [75-474618-04S](#) [799539-000](#) [MI8-SE](#) [805-005-07NF11-19PC](#) [805-005-07NF15-7PA](#) [8280-4PG-516](#) [8280-7PG-](#)
[519](#) [8282-5PG-519](#) [836783-1](#) [MP-4102-25P-C](#) [862256-1](#) [864019-2](#) [866857-1](#) [867865-1](#) [PT01SP-14-18P](#) [PT08P-14-5S](#) [120-1833-000](#)
[QCM019PC2DC012B](#) [1-2069279-1](#) [121583-0217](#) [121667-0020](#) [129591AU](#) [1000B BULK](#) [RD10A16-19-P6CS051/1](#) [RD10A20-31-](#)
[P8CS051/1](#) [RD16A14-12-S6CS051/2](#) [1301240290](#) [1301240347](#) [1301860202](#) [1301240268](#)