

MATERIAL :

Housing : Zinc alloy nickel plated
 Coupling Nut : Aluminium alloy, nickel plated
 Insert : PA 66 UL94 V0
 Coupling spring : Stainless steel
 O'ring : Nitril

PERFORMANCE CHARACTERISTICS :

Operating temperature : -40°C up to 105°C
 Insulation resistance : 5000 MΩ min
 Withstanding voltage: 2000Vrms
 (1500 Vrms for 102w2 and 103w3 layouts)
 Corrosion salt spray : 48 hours or 96 hours (spéc. 02)
 Durability : 500 matings and unmatings
 Sealing in mated conditions : IP67 / IP68 3 bars/30min as per IEC60529
 (depending on counterpart used)
 Sealing in mated conditions : IP69K as per DIN40050
 ROHS compliant

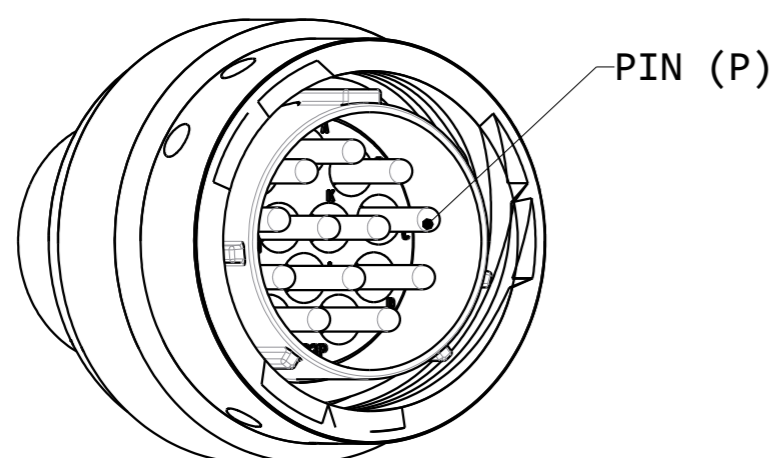
NOTES :

- 1- Contact identification and orientation of connector, refer to :
 UT0-CONTACT-L-C01 (Male)
 UT0-CONTACT-L-C02 (Female)
- 2- Contact to be ordered separately refer to : UT0 catalog
- 3- This drawing covers p/n termination : -H / -H6
- 4- Packaging: connector is individually packed in a plastic bag

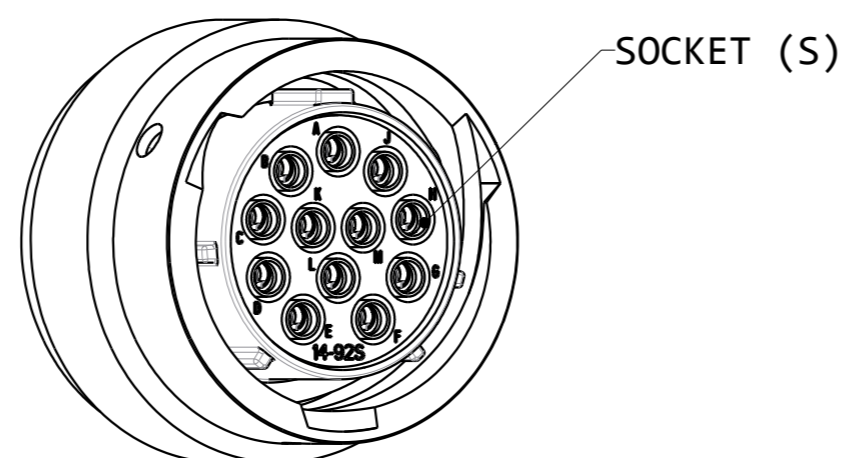
Part Number (Note 3)	Thread A for information	Ø B ±0.15	Ø C ±0.20	D Max		Ø E±0.20
				Male	Female	
UT06102W2--H-	9/16-24 UNEF Class 2A	20.00	21.80	35	33	10.15
UT06103W3--H-				35	27	
UT06103--H-				33	25.5	
UT06104--H-						
UT061044--H-	11/16-24 UNEF Class 2A	23.60	26.10	33	25.5	13.10
UT06124--H-						
UT06128--H-						
UT06142G1--H-	13/16-20 UNEF Class 2A	26.80	29.30	34	34	16.40
UT06147--H-				33	25.5	
UT06148--H-				35	33	
UT061412--H-						
UT061492--H-	15/16-20 UNEF Class 2A	30.00	32.45	33	25.5	19.50
UT061619--H-						
UT061823--H-						
UT062028--H-	1" 3/16-18 UNEF Class 2A	36.55	38.80	33	27.5	24.80
UT062030--H-						
UT062235--H-	1" 5/16-18 UNEF Class 2A	39.50	42.00	33	27.5	27.99
UT062238--H-						
UT062448--H-						
UT062448--H-	1" 7/16-18 UNEF Class 2A	42.60	45.05	33	27.5	31.16

Receptacle UT0 : <i>Type 6</i>	UT06	10	2W2	P	W	H	02
Shell size :							
Insert arrangement : <i>See Note 1</i>							
Contact : <i>P : Male</i> <i>S : Female</i>							
Insert polarisation : <i>No letter : Standard version</i> <i>W, X, Y, Z : Different orientation</i>							
Sealing version : <i>H : IP67 version</i>							
Sealing version : <i>No letter : Standard version</i> <i>02 : Coupling nut is black anodized</i>							

MALE CONNECTOR



FEMALE CONNECTOR



A	20/04/2015	_CREATION OF THE DRAWING		24021
ISS	DATE	_Cancel & replace UT06-C01		MOD N°
Designed by:		COUTY L.	Date: 21/10/2013	CUSTOMER DRAWING
TITLE		PLUG UT0 PLUG CONNECTOR		
Scale	2/1	General linear Tolerances: ± 0.1	NPRDS / PROJECT UT0	
SOURIAU		WWW.SOURIAU.COM		This document is the property of SOURIAU It must not be reproduced or communicated without permission
FORMAT	A2	SOURIAU DRG N° C001-UT06-A		SHEET 1 / 1

X-ON Electronics

Largest Supplier of Electrical and Electronic Components

Click to view similar products for [Standard Circular Connector](#) category:

Click to view products by [Sunbank](#) manufacturer:

Other Similar products are found below :

[5M2530B10P](#) [600259N006](#) [600273N007](#) [6134-336-13149](#) [6134-337-11149](#) [6134-337-2390](#) [6134-341-17149](#) [6280-4SG-516](#) [6280-7SG-3DC](#)
[6290](#) [6291A](#) [66200A-10](#) [680-SMG](#) [681-PMG](#) [CXS3102A14S2P](#) [CXS3102A181S](#) [7271-6SG-300](#) [7282-3PG-300-CH3](#) [75-474618-01S](#) [75-](#)
[474618-04P](#) [75-474618-04S](#) [799539-000](#) [MI8-SE](#) [805-005-07NF11-19PC](#) [805-005-07NF15-7PA](#) [8280-4PG-516](#) [8280-7PG-519](#) [8282-5PG-](#)
[519](#) [836783-1](#) [MP-4102-25P-C](#) [862256-1](#) [864019-2](#) [866857-1](#) [867865-1](#) [PT01SP-14-18P](#) [PT08P-14-5S](#) [120-1833-000](#)
[QCM019PC2DC012B](#) [1-2069279-1](#) [121583-0217](#) [121667-0020](#) [129591AU](#) [1000B BULK](#) [RD10A16-19-P6CS051/1](#) [RD10A20-31-](#)
[P8CS051/1](#) [RD16A14-12-S6CS051/2](#) [1301240290](#) [1301240347](#) [1301860202](#) [1301240268](#) [1301240275](#)