

**MATERIAL :**

Housing : Zinc alloy nickel plated  
 Coupling Nut : Aluminium alloy, nickel plated  
 Insert : PA 66 UL94 V0  
 Coupling spring : Stainless steel  
 O'ring : Nitril

**PERFORMANCE CHARACTERISTICS :**

Operating temperature : -40°C up to 105°C  
 Insulation resistance : 5000 MΩ min  
 Withstanding voltage: 2000Vrms  
 (1500 Vrms for 102w2 and 103w3 layouts)  
 Corrosion salt spray : 48 hours or 96 hours ( spéc. 02 )  
 Durability : 500 matings and unmatings  
 Sealing in mated conditions : IP67 / IP68 3 bars/30min as per IEC60529  
 ( depending on counterpart used )  
 Sealing in mated conditions : IP69K as per DIN40050  
 ROHS compliant

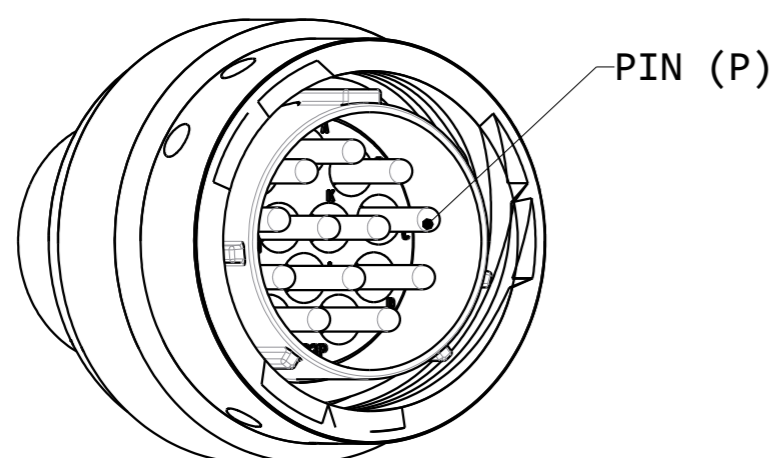
**NOTES :**

- 1- Contact identification and orientation of connector, refer to :  
 UT0-CONTACT-L-C01 (Male)  
 UT0-CONTACT-L-C02 (Female)
- 2- Contact to be ordered separately refer to : UT0 catalog
- 3- This drawing covers p/n termination : -H / -H6
- 4- Packaging: connector is individually packed in a plastic bag

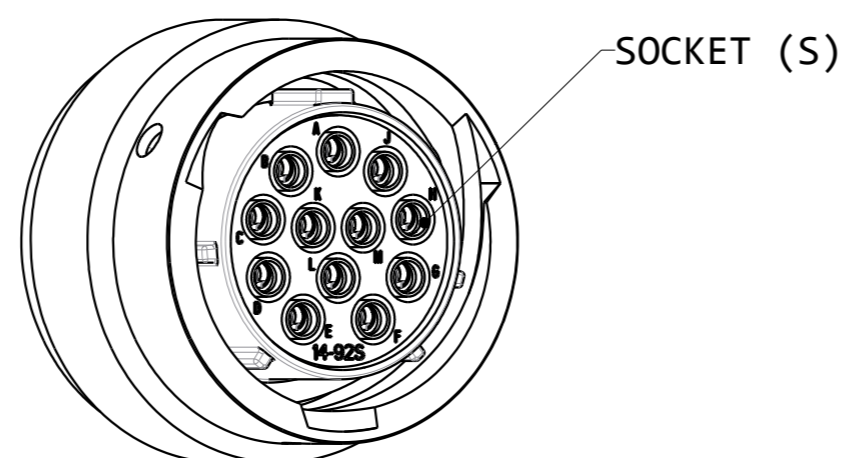
Part Number (Note 3)	Thread A for information	Ø B ±0.15	Ø C ±0.20	D Max		Ø E±0.20
				Male	Female	
UT06102W2--H-	9/16-24 UNEF Class 2A	20.00	21.80	35	33	10.15
UT06103W3--H-				35	27	
UT06103--H-				33	25.5	
UT06104--H-						
UT061044--H-	11/16-24 UNEF Class 2A	23.60	26.10	33	25.5	13.10
UT06124--H-						
UT06128--H-	13/16-20 UNEF Class 2A	26.80	29.30	34	34	16.40
UT06142G1--H-				33	25.5	
UT06147--H-				35	33	
UT06148--H-				25.5	19.50	
UT061492--H-						
UT061619--H-	15/16-20 UNEF Class 2A	30.00	32.45	33	27.5	21.65
UT061823--H-	1" 1/16-18 UNEF Class 2A	33.30	35.25			24.80
UT062028--H-	1" 3/16-18 UNEF Class 2A	36.55	38.80	33	27.5	27.99
UT062030--H-						
UT062235--H-	1" 5/16-18 UNEF Class 2A	39.50	42.00	33	27.5	31.16
UT062238--H-						
UT062448--H-	1" 7/16-18 UNEF Class 2A	42.60	45.05			

Receptacle UT0 : <i>Type 6</i>	UT06	10	2W2	P	W	H	02
Shell size :							
Insert arrangement : <i>See Note 1</i>							
Contact : P : <i>Male</i> S : <i>Female</i>							
Insert polarisation : <i>No letter : Standard version</i> W, X, Y, Z : <i>Differents orientation</i>							
Sealing version : <i>H : IP67 version</i>							
Sealing version : <i>No letter : Standard version</i> 02 : <i>Coupling nut is black anodized</i>							

**MALE CONNECTOR**



**FEMALE CONNECTOR**



A	20/04/2015	_CREATION OF THE DRAWING		24021
ISS	DATE	_Cancel & replace UT06-C01		MOD N°
Designed by:		COUTY L.	Date: 21/10/2013	CUSTOMER DRAWING
TITLE		PLUG UT0 PLUG CONNECTOR		
Scale	2/1	General linear Tolerances: ± 0.1	NPRDS / PROJECT UT0	
SOURIAU		WWW.SOURIAU.COM		This document is the property of SOURIAU It must not be reproduced or communicated without permission
FORMAT	A2	SOURIAU DRG N° C001-UT06-A		SHEET 1 / 1

## X-ON Electronics

Largest Supplier of Electrical and Electronic Components

*Click to view similar products for [Standard Circular Connector](#) category:*

*Click to view products by [Sunbank](#) manufacturer:*

Other Similar products are found below :

[C015](#) [10F006](#) [001](#) [1](#) [5M2530B10P](#) [600247N007](#) [600259N006](#) [600273N007](#) [600432N009](#) [6280-2PG-519](#) [6280-3PG-311](#) [6280-3SG-311](#)  
[6280-7SG-3DC](#) [6280-7SG-522](#) [6282-5PG-311](#) [6282-6PG-519](#) [6282-8SG-311](#) [6283-11](#) [6283-15](#) [6290](#) [6293](#) [6382-2PG-311](#) [6382-2PG-3DC](#)  
[6382-2SG-321](#) [6382-2SG-3DC](#) [6382-4SG-516](#) [67-03E20-37P](#) [681-PMG](#) [CXS3102A14S2P](#) [CXS3102A181S](#) [CXS3106A14S6S](#) [MB12P-1](#)  
[MB12R-6](#) [7251-2PG-300](#) [7251-2SG-300](#) [7251-4PG-300](#) [7251-4SG-300](#) [7251-5PG-300](#) [7251-5SG-300](#) [7251-6SG-300](#) [7251-7PG-300](#) [7251-](#)  
[8PG-300](#) [7271-6SG-300](#) [7282-3PG-300-CH3](#) [73000005663](#) [75-190011-03P](#) [75-190216-08S](#) [75-190218-10P](#) [75-214636-52P](#) [75-474118-10P](#)  
[75-474211-03P](#) [75-474218-19S](#) [75-474618-01S](#)