

MATERIAL :
 Housing : Zinc alloy nickel plated
 Insert : PA 66 UL94 V0
 Mating gasket : sealing IP67:Nitril
 sealing IP68:Silicon
 O'ring : nitril
 Jam Nut : Aluminium alloy nickel plated

PERFORMANCE CHARACTERISTICS :
 Operating temperature : -40°C up to 105°C
 Insulation resistance : 5000 MΩ min
 Withstanding voltage: 2000 Vrms
 (1500 Vrms for 102w2 and 103w3 layouts)
 Corrosion salt spray : 48 hours (96 hours for specification 01)
 Durability : 500 matings and unmatings
 Sealing in mated conditions : IP67 / IP68 3 bars/30min as per IEC60529
 Sealing in mated conditions : IP69K as per DIN40050
 ROHS compliant

- NOTES :**
- 1- Contact identification and orientation of connector, refer to:
 UT0-CONTACT-L-C01 (Male)
 UT0-CONTACT-L-C02 (Female)
 - 2- Contact to be ordered separately refer to : UT0 catalog
 - 3- Insert arrangements refer to: UT0-DHP-001-C01 (Male)
 UT0-DHP-002-C01 (Female)
 - 4- This drawing covers p/n termination : -H / -H6 / -H01 / -H601
 - 5- Packaging : connector is individually packed in a plastic bag

Part Number (Note 4)	Thread 1 (for information)	Thread 2 (for information)	A ±0.5	B Max (Overall length)		C ±0.2	D ±0.2	Ø E +0.10 -0.02	F +0.40 0	G Max (Panel Thickness)	Torque on nut max (Nm)
				Male	Female						
UT07102W2--H-	11/16-24 UNEF Class 2A	9/16-24 UNEF CLASS 2A	27	34				14.91			6
UT07103W3--H-											
UT07103--H-											
UT07104--H-											
UT071044--H-											
UT07124--H-	7/8-20 UNEF Class 2A	11/16-24 UNEF CLASS 2A	32					18.96			9
UT07128--H-											
UT07142G1--H-	1" 20 UNEF Class 2A	13/16-20 UNEF CLASS 2A	35	34	33	20.9	9.88	22.14	19.10	3.20	10
UT07147--H-											
UT07148--H-											
UT071412--H-											
UT071492--H-											
UT071619--H-	1"1/8-18 UNEF Class 2A	15/16-20 UNEF CLASS 2A	38.1					25.32			13
UT071823--H-	1" 1/4-18 UNEF Class 2A	1"1/16-18 UNEF CLASS 2A	41.3					28.49			20
UT072028--H-	1" 3/8-18 UNEF Class 2A	1"3/16-18 UNEF CLASS 2A	46	39	39	26.47	11.46	31.68	24.51		23
UT072030--H-											
UT072235--H-	1" 1/2-18 UNEF Class 2A	1"5/16-18 UNEF CLASS 2A	49.2	39	39	26.47	11.46	34.85	24.51	6.40	25
UT072238--H-											
UT072448--H-	1" 5/8-18 UNEF Class 2A	1"7/16-18 UNEF CLASS 2A	53.4	41	41	28.31	12.30	38.03	25.36		26

UT07 10 2W2 P W H6 01

Receptacle UT0 : Type 7

Shell size :

Insert arrangement : See Note 1

Contact : P : Male
 S : Female

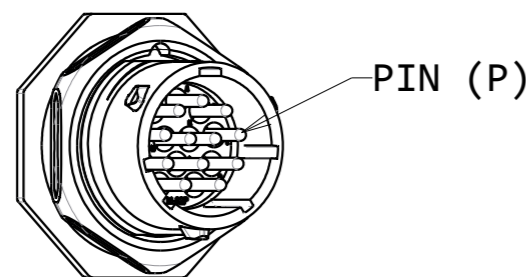
Insert polarisation: No letter : Standard version
 W, X, Y, Z : Different orientation

Sealing version : H : IP67 version
 H6 : IP68 version

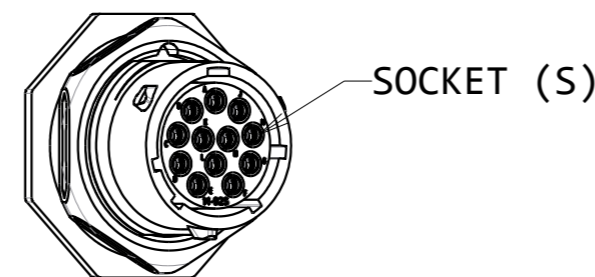
Specification : No letter : Standard version
 01 : Jam nut is black anodized

A	20/04/2015	_CREATION OF THE DRAWING		24021
		_Cancel & replace UT07-C01		
ISS	DATE	Latest modification - by: COUTY L.		MOD N°
Designed by:		CHANTOISEAU P. Date : 21/10/2013	CUSTOMER DRAWING	
TITLE		RECEPTACLE UT0 CONNECTOR		
Scale	2/1	General linear Tolerances: ± 0.1	NPRDS / PROJECT UT0	
SOURIAU		WWW.SOURIAU.COM		This document is the property of SOURIAU It must not be reproduced or communicated without permission
FORMAT	A2	SOURIAU DRG N° C001-UT07-A		SHEET 1 / 2

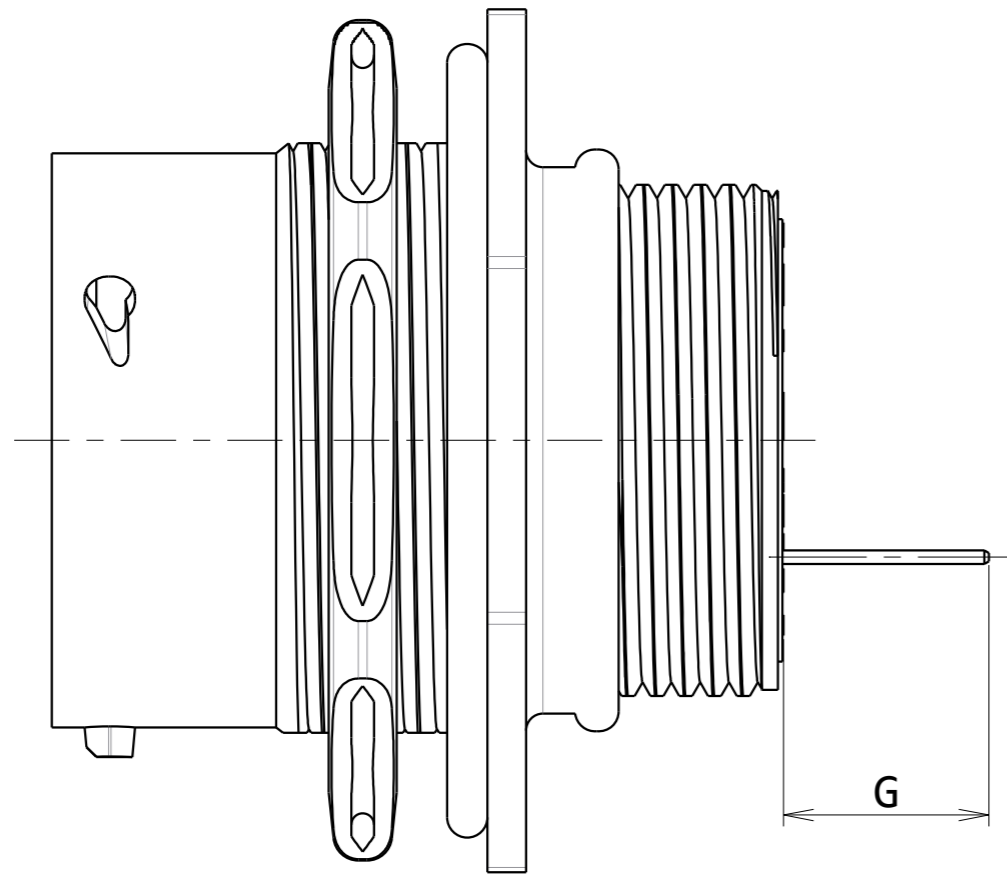
MALE CONNECTOR



FEMALE CONNECTOR



In case the connectors are equipped with dipsolder contacts



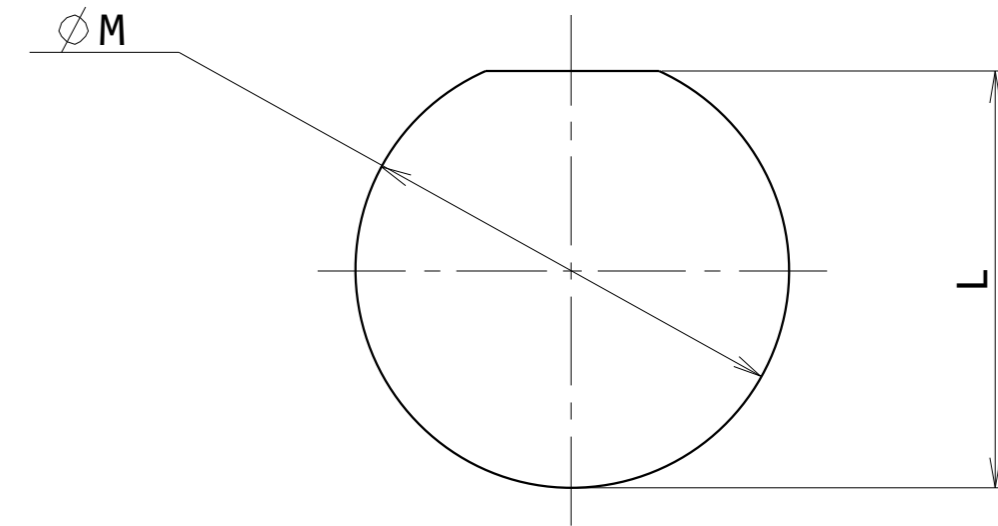
CONTACT RM20M12E84x (Male)
or RC20M12E83x (Female)

Contacts to be ordered separately

MALE CONTACTS		
Part Number	G	
	min	max
UT07104P-H-	11.2	13.5
UT071044P-H-		
UT07128P-H-		
UT071412P-H-		
UT071492P-H-		
UT071619P-H-	7.1	9.2
UT071823P-H-		
UT072028P-H-		
UT072030P-H-		
UT072235P-H-	5.7	7.8
UT072238P-H-		
UT072448P-H-		

FEMALE CONTACTS		
Part Number	G	
	min	max
UT07104S-H-	0.45	2.45
UT071044S-H-		
UT07128S-H-		
UT071412S-H-		
UT071492S-H-		
UT071619S-H-	NOT EXISTING	
UT071823S-H-		
UT072028S-H-		
UT072030S-H-		
UT072235S-H-	NOT EXISTING	
UT072238S-H-		
UT072448S-H-		

Panel Cut Out



Part Number (Male or Female)	L	∅ M
UT07102W2--H-	16.45 ^{+0.2} ₀	17.30 ^{+0.25} ₀
UT07103W3--H-		
UT07103--H-		
UT07104--H-		
UT071044--H-	20.85 ^{+0.3} ₀	22.10 ^{+0.3} ₀
UT07124--H-		
UT07128--H-		
UT07142G1--H-	24.00 ^{+0.3} ₀	25.40 ^{+0.3} ₀
UT07147--H-		
UT07148--H-		
UT071412--H-		
UT071492--H-	27.10 ^{+0.3} ₀	28.20 ^{+0.3} ₀
UT071619--H-		
UT071823--H-	30.20 ^{+0.3} ₀	31.70 ^{+0.3} ₀
UT072028--H-	33.40 ^{+0.3} ₀	34.70 ^{+0.3} ₀
UT072030--H-		
UT072235--H-	36.60 ^{+0.3} ₀	37.80 ^{+0.3} ₀
UT072238--H-		
UT072448--H-	39.80 ^{+0.3} ₀	41.10 ^{+0.3} ₀

A	20/04/2015	_CREATION OF THE DRAWING		24021
ISS	DATE	_Cancel & replace UT07-C01		MOD N°
Designed by:		CHANTOISEAU P. Date : 21/10/2013	CUSTOMER DRAWING	
TITLE		RECEPTACLE UT0 CONNECTOR		
Scale	3/1	General linear Tolerances: ± 0.1	NPRDS / PROJECT UT0	
SOURIAU		WWW.SOURIAU.COM		This document is the property of SOURIAU. It must not be reproduced or communicated without permission.
FORMAT	A2	SOURIAU DRG N° C001-UT07-A		SHEET 2 / 2

X-ON Electronics

Largest Supplier of Electrical and Electronic Components

Click to view similar products for [Standard Circular Connector](#) category:

Click to view products by [Sunbank](#) manufacturer:

Other Similar products are found below :

[C015](#) [10F006](#) [001](#) [1](#) [5M2530B10P](#) [600247N007](#) [600259N006](#) [600273N007](#) [600432N009](#) [6280-2PG-519](#) [6280-3PG-311](#) [6280-3SG-311](#)
[6280-7SG-3DC](#) [6280-7SG-522](#) [6282-5PG-311](#) [6282-6PG-519](#) [6282-8SG-311](#) [6283-11](#) [6283-15](#) [6290](#) [6293](#) [6382-2PG-311](#) [6382-2PG-3DC](#)
[6382-2SG-321](#) [6382-2SG-3DC](#) [6382-4SG-516](#) [67-03E20-37P](#) [681-PMG](#) [CXS3102A14S2P](#) [CXS3102A181S](#) [CXS3106A14S6S](#) [MB12P-1](#)
[MB12R-6](#) [7251-2PG-300](#) [7251-2SG-300](#) [7251-4PG-300](#) [7251-4SG-300](#) [7251-5PG-300](#) [7251-5SG-300](#) [7251-6SG-300](#) [7251-7PG-300](#) [7251-](#)
[8PG-300](#) [7271-6SG-300](#) [7282-3PG-300-CH3](#) [73000005663](#) [75-190011-03P](#) [75-190216-08S](#) [75-190218-10P](#) [75-214636-52P](#) [75-474118-10P](#)
[75-474211-03P](#) [75-474218-19S](#) [75-474618-01S](#)