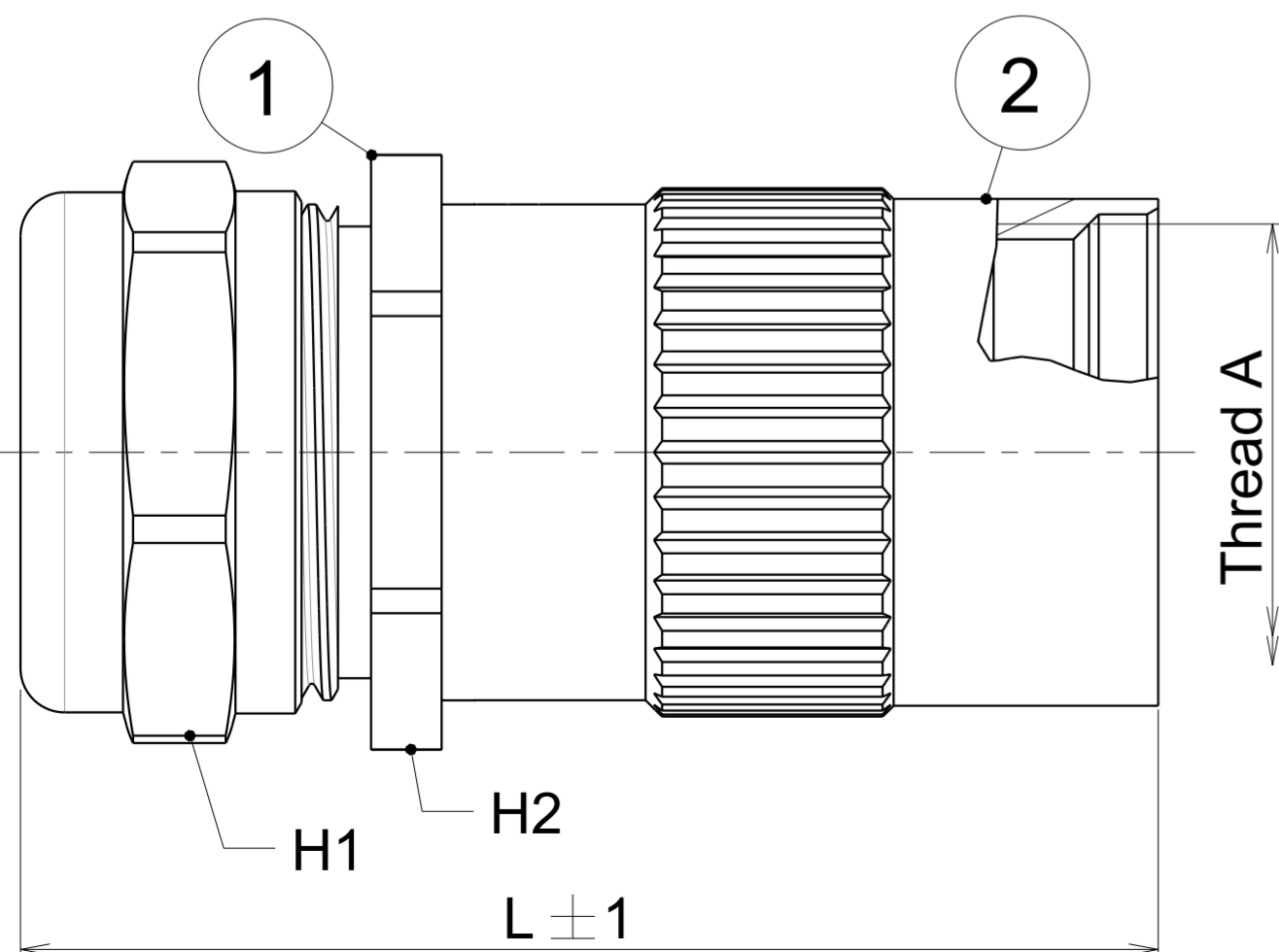


Reference	∅ ISO	L (mm)	H1 (mm)	H2 (mm)	Clamping range min/max	Clamping dimension on the shielding braid ∅ min	Torque (Nm) on the hood	Torque (Nm) on the body	Thread A
UT0S10JC	M16	70.5	14	17	04/6.5	04	5	6	9/16-24 UNEF Class 2A
UT0S10JCL	M16	71.5	17	17	05/8.5	4.5	5	6	9/16-24 UNEF Class 2A
UT0S12JC	M20	74.5	20	22	07/10.5	06	8	10	11/16-24 UNEF Class 2A
UT0S12JCL	M20	74.5	22	22	08/12.5	08	8	10	11/16-24 UNEF Class 2A
UT0S14JC	M20	80.5	20	22	07/10.5	06	8	10	13/16-20 UNEF Class 2A
UT0S14JCL	M20	80.5	22	22	08/12.5	08	8	10	13/16-20 UNEF Class 2A
UT0S16JC	M25	83.5	24	26	10/14.5	10	12	14	15/16-20 UNEF Class 2A
UT0S16JCL	M25	93.5	30	30	13.5/18	13.5	12	14	15/16-20 UNEF Class 2A
UT0S18JC	M25	86.0	24	26	10/14.5	10	12	14	1" 1/16-18 UNEF Class 2A
UT0S18JCL	M25	96.0	30	30	13.5/18	13.5	12	14	1" 1/16-18 UNEF Class 2A
UT0S20JC	M32	97.5	30	33	13.5/18	13.5	20	24	1" 3/16-18 UNEF Class 2A
UT0S20JCL	M32	106.5	40	40	17/24	17	20	24	1" 3/16-18 UNEF Class 2A
UT0S22JC	M32	101.5	30	33	13.5/18	13.5	20	24	1" 5/16-18 UNEF Class 2A
UT0S22JCL	M32	110.5	40	40	17/24	17	20	24	1" 5/16-18 UNEF Class 2A
UT0S24JC	M32	105.5	30	33	13.5/18	13.5	20	24	1" 7/16-18 UNEF Class 2A
UT0S24JCL	M32	114.5	40	40	17/24	17	20	24	1" 7/16-18 UNEF Class 2A

Shielded version



MATERIAL :

- Cable gland body : Nickel plated brass
- Cable gland seal : TPE
- Cable gland retaining claw : Sn/Cu Galvanized thermoplastic
- Cable gland O'Ring : Nitrile
- Tube : Nickel plated brass

PERFORMANCE CHARACTERISTICS :

- Operating temperature: -40° C up to 105° C
- Corrosion salt spray: 96 hours

Country	Jurisdiction & Control List
FR	NOT LISTED

P/N : See table

E	20/11/2018	Materials added	25156A
ISS	DATE	Latest modification - by:	COURTOIS L. MOD N°
Designed by:		C. PROVOST	Date: 11/03/04 CUSTOMER DRAWING
TITLE		Connector UT0 & UT0W Kit cable clamp with tube	
Scale	3/1	Dimensions in mm General linear Tolerances: ± 0.2	NPRDS / PROJECT MSKI
		This document is the property of SOURIAU It must not be reproduced or communicated without permission	
FORMAT	SOURIAU DRG N°		SHEET
A2	UT0SXXJC-C02		1 / 1

SOURIAU shall not be liable for any non-conformity or damage due to a use of the Products which does not comply with the Specifications issued by either of the Parties or by a third party (professional recommendation, technical notice.)

X-ON Electronics

Largest Supplier of Electrical and Electronic Components

Click to view similar products for [Standard Circular Connector](#) category:

Click to view products by [Sunbank](#) manufacturer:

Other Similar products are found below :

[5M2530B10P](#) [600259N006](#) [600273N007](#) [6134-336-13149](#) [6134-337-11149](#) [6134-337-2390](#) [6134-341-17149](#) [6280-4SG-516](#) [6280-7SG-3DC](#)
[6290](#) [6291A](#) [66200A-10](#) [680-SMG](#) [681-PMG](#) [CXS3102A14S2P](#) [CXS3102A181S](#) [7271-6SG-300](#) [7282-3PG-300-CH3](#) [75-474014-05S](#) [75-](#)
[474618-01S](#) [75-474618-04P](#) [75-474618-04S](#) [799539-000](#) [MI8-SE](#) [805-005-07NF11-19PC](#) [805-005-07NF15-7PA](#) [8280-4PG-516](#) [8280-7PG-](#)
[519](#) [8282-5PG-519](#) [836783-1](#) [MP-4102-25P-C](#) [862256-1](#) [864019-2](#) [866857-1](#) [867865-1](#) [PT01SP-14-18P](#) [PT08P-14-5S](#) [120-1833-000](#)
[QCM019PC2DC012B](#) [1-2069279-1](#) [121583-0217](#) [121667-0020](#) [129591AU](#) [1000B BULK](#) [RD10A16-19-P6CS051/1](#) [RD10A20-31-](#)
[P8CS051/1](#) [RD16A14-12-S6CS051/2](#) [1301240290](#) [1301240347](#) [1301860202](#) [1301240268](#)