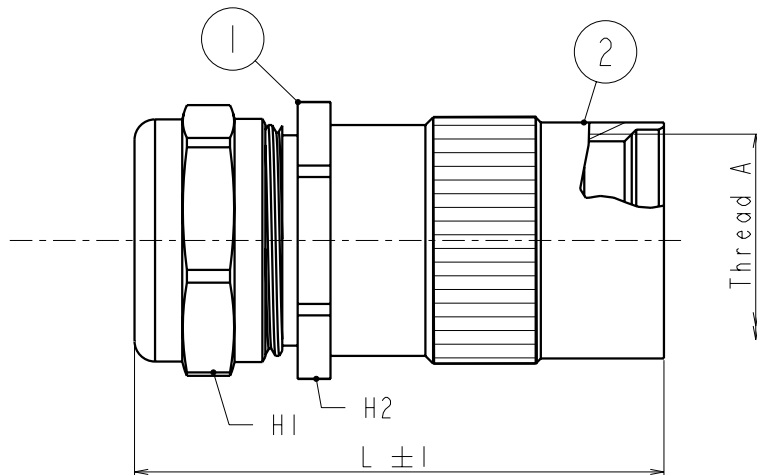


Reference	∅ ISO	L (mm)	H1 (mm)	H2 (mm)	Clamping range min/max	Clamping range on fail ∅ min	Torque (Nm) on the hood	Torque (Nm) on the body	Thread A
UTOS10JCS	M16	58.5	14	17	04/6.5	04	5	6	9/16-24 UNEF Class 2A
UTOS10JCSL	M16	59.5	17	17	05/8.5	4.5	5	6	9/16-24 UNEF Class 2A
UTOS12JCS	M20	61.5	20	22	07/10.5	06	8	10	11/16-24 UNEF Class 2A
UTOS12JCSL	M20	61.5	22	22	08/12.5	08	8	10	11/16-24 UNEF Class 2A
UTOS14JCS	M20	66.5	20	22	07/10.5	06	8	10	13/16-20 UNEF Class 2A
UTOS14JCSL	M20	66.5	22	22	08/12.5	08	8	10	13/16-20 UNEF Class 2A
UTOS16JCS	M25	72.5	24	26	10/14.5	10	12	14	15/16-20 UNEF Class 2A
UTOS16JCSL	M25	82.5	30	30	13.5/18	13.5	12	14	15/16-20 UNEF Class 2A
UTOS18JCS	M25	75.5	24	26	10/14.5	10	12	14	1" 1/16-18 UNEF Class 2A
UTOS18JCSL	M25	85.5	30	30	13.5/18	13.5	12	14	1" 1/16-18 UNEF Class 2A
UTOS20JCS	M32	84	30	33	13.5/18	13.5	20	24	1" 3/16-18 UNEF Class 2A
UTOS20JCSL	M32	93	40	40	17/24	17	20	24	1" 3/16-18 UNEF Class 2A
UTOS22JCS	M32	90.0	30	33	13.5/18	13.5	20	24	1" 5/16-18 UNEF Class 2A
UTOS22JCSL	M32	99	40	40	17/24	17	20	24	1" 5/16-18 UNEF Class 2A
UTOS24JCS	M32	95.5	30	33	13.5/18	13.5	20	24	1" 7/16-18 UNEF Class 2A
UTOS24JCSL	M32	104.5	40	40	17/24	17	20	24	1" 7/16-18 UNEF Class 2A

Shielded version



MATERIAL :

Cable clamp: Brass nickel plated
Tube: Brass nickel plated

PERFORMANCE CHARACTERISTICS :

Operating temperature: -40°C up to 105°C
Corrosion salt spray: 96 hours

A	07/06/04	--	Creation of the drawing		--
ISS	DATE	Latest modification - by:	--	MOD N°	
Designed by:		C. PROVOST	Date: 07/06/04	Type of drawing:	ASSEMBLAGE
Checked by:		SEE DISTRIBUTION LIST	Date:	SEE DISTRIBUTION LIST	
TITLE		Connector UTO et UTOW Kit cable clamp with tube			
Scale	General angular	MATERIAL : --			
3/1	Tolerances: ± --				
	General linear	General machining	Geometrical Tolerances	PROJECT	
	Tolerances: ± --	surface texture	See NF E 04-552	MSK1	
		SOURIAU Route Nationale 23 72470 CHAMPAGNE Tel. (33)02.43.54.35.00		This document is the property of SOURIAU It must not be reproduced or communicated without permission	
FORMAT	SOURIAU DRG N°			SHEET	
A2	UTOSXXJCS-C02			1 / 1	

NOT EXPORT CONTROLLED

X-ON Electronics

Largest Supplier of Electrical and Electronic Components

Click to view similar products for [Standard Circular Connector](#) category:

Click to view products by [Sunbank](#) manufacturer:

Other Similar products are found below :

[5M2530B10P](#) [600259N006](#) [600273N007](#) [6134-336-13149](#) [6134-337-11149](#) [6134-337-2390](#) [6134-341-17149](#) [6280-4SG-516](#) [6280-7SG-3DC](#)
[6290](#) [6291A](#) [66200A-10](#) [680-SMG](#) [681-PMG](#) [CXS3102A14S2P](#) [CXS3102A181S](#) [7271-6SG-300](#) [7282-3PG-300-CH3](#) [75-474618-01S](#) [75-](#)
[474618-04P](#) [75-474618-04S](#) [799539-000](#) [MI8-SE](#) [805-005-07NF11-19PC](#) [805-005-07NF15-7PA](#) [8280-4PG-516](#) [8280-7PG-519](#) [8282-5PG-](#)
[519](#) [836783-1](#) [MP-4102-25P-C](#) [862256-1](#) [864019-2](#) [866857-1](#) [867865-1](#) [PT01SP-14-18P](#) [PT08P-14-5S](#) [120-1833-000](#)
[QCM019PC2DC012B](#) [1-2069279-1](#) [121583-0217](#) [121667-0020](#) [129591AU](#) [1000B BULK](#) [RD10A16-19-P6CS051/1](#) [RD10A20-31-](#)
[P8CS051/1](#) [RD16A14-12-S6CS051/2](#) [1301240290](#) [1301240347](#) [1301860202](#) [1301240268](#) [1301240275](#)