

**MATERIAL :**

Housing : Zinc alloy nickel plated  
 Insert : PA 66 UL94 V0  
 Mating gasket : sealing IP67:Nitril  
 sealing IP68:Silicone  
 O'ring : nitril  
 Interfacial gasket (female connector only): thermoplastic elastomer

**PERFORMANCE CHARACTERISTICS :**

Operating temperature : -40°C up to 105°C  
 Insulation resistance : 5000 MΩ min  
 Withstanding voltage: 1500Vrms  
 Corrosion salt spray : 96 hours  
 Durability : 500 matings and unmatings  
 Sealing IP67 / IP68 3 bar/30min as per IEC60529  
 Sealing IP69K as per DIN40050  
 ROHS compliant

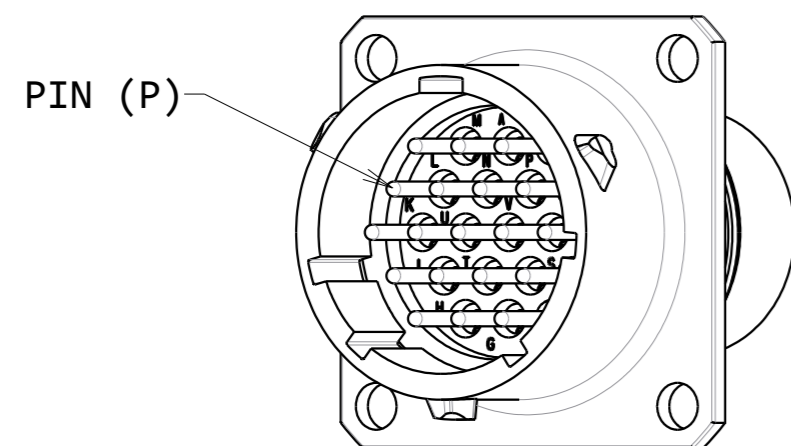
**NOTES :**

- 1-Contact identification and orientation of connector, refer to:  
 UT0-CONTACT-L-C01 (Male)  
 UT0-CONTACT-L-C02 (Female)
- 2-Connector blocks accept size #20 male or female contacts  
 (strip formed, machined crimp and spill)
- 3-Contact to be ordered separately refer to : UT0 catalog
- 4-Dimension ØP for front panel mounting (see to panel cut out)
- 5-Dimension ØR for rear panel mounting (see to panel cut out)
- 6-To achieved Sealing condition : Add UTFD-- Sealing Gasket
- 7-This drawing covers p/n termination : -H / -H6 / -H05 / -H605
- 8-packaging: connector is individually packed in a plastic bag

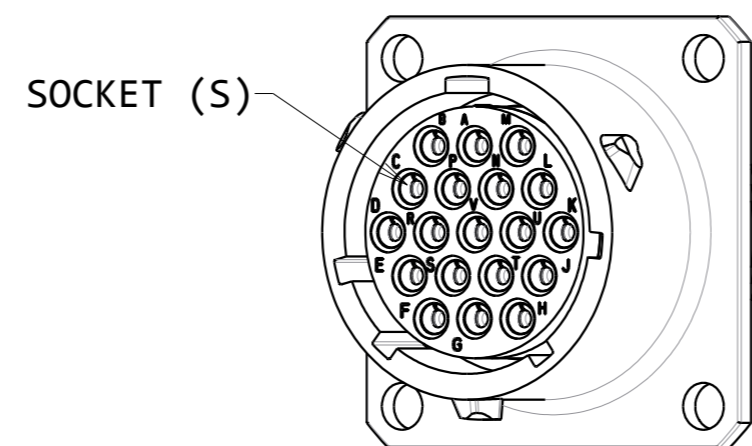
| Part Number<br>(Note 8) | Thread<br>(for information) | A ±0.3 | B ±0.2 | C Max |        | D ±0.2 | E ±0.35 | F ±0.15 | G ±0.2 |
|-------------------------|-----------------------------|--------|--------|-------|--------|--------|---------|---------|--------|
|                         |                             |        |        | Male  | Female |        |         |         |        |
| UT0W0106--H-            | 9/16-24 UNEF Class 2A       | 23.85  | 18.26  | 33.30 | 25,00  | 11.35  | 1.60    | 3.10    | 7.50   |
| UT0W01210--H-           | 11/16-24 UNEF Class 2A      | 26.20  | 20.62  |       |        |        |         |         |        |
| UT0W01419--H-           | 13/16-20 UNEF Class 2A      | 28.60  | 23.01  |       |        |        |         |         |        |
| UT0W01626--H-           | 15/16-20 UNEF Class 2A      | 31.00  | 24.61  |       |        |        |         |         |        |
| UT0W01832--H-           | 1" 1/16-18 UNEF Class 2A    | 33.30  | 26.97  | 34.75 | 29.00  | 14.55  | 2.40    | 3.80    |        |
| UT0W02041--H-           | 1" 3/16-18 UNEF Class 2A    | 36.55  | 29.36  |       |        |        |         |         |        |
| UT0W02255--H-           | 1" 5/16-18 UNEF Class 2A    | 39.75  | 31.75  |       |        |        |         |         |        |
| UT0W02461--H-           | 1" 7/16-18 UNEF Class 2A    | 42.87  | 34.92  |       |        | 15.35  |         |         |        |

|  |
|--|
| <b>UT0W0 18 32 P W H6 05</b>   |
| Receptacle UT0W : Type 7   |
| Shell size :   |
| Insert arrangement : See Note 1  |
| Contact : P : Male<br>S : Female   |
| Insert polarisation: No letter : Standard version<br>W, X, Y, Z : Differents orientation |
| Sealing version : H : IP67 version<br>H6 : IP68 version                                  |
| Specification : No letter : Standard version<br>05 : O'ring rear on the receptacle       |

**MALE CONNECTOR**

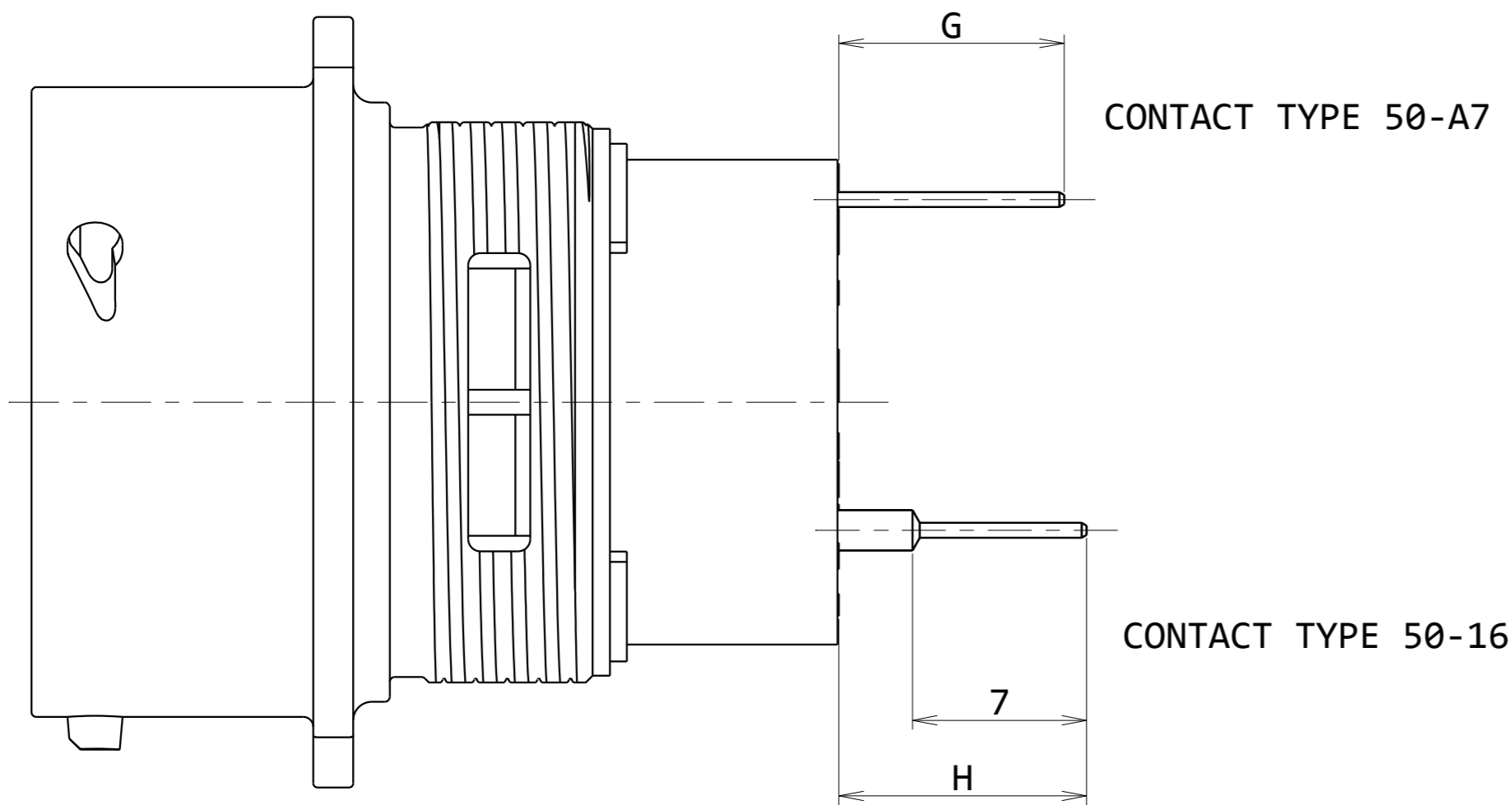


**FEMALE CONNECTOR**

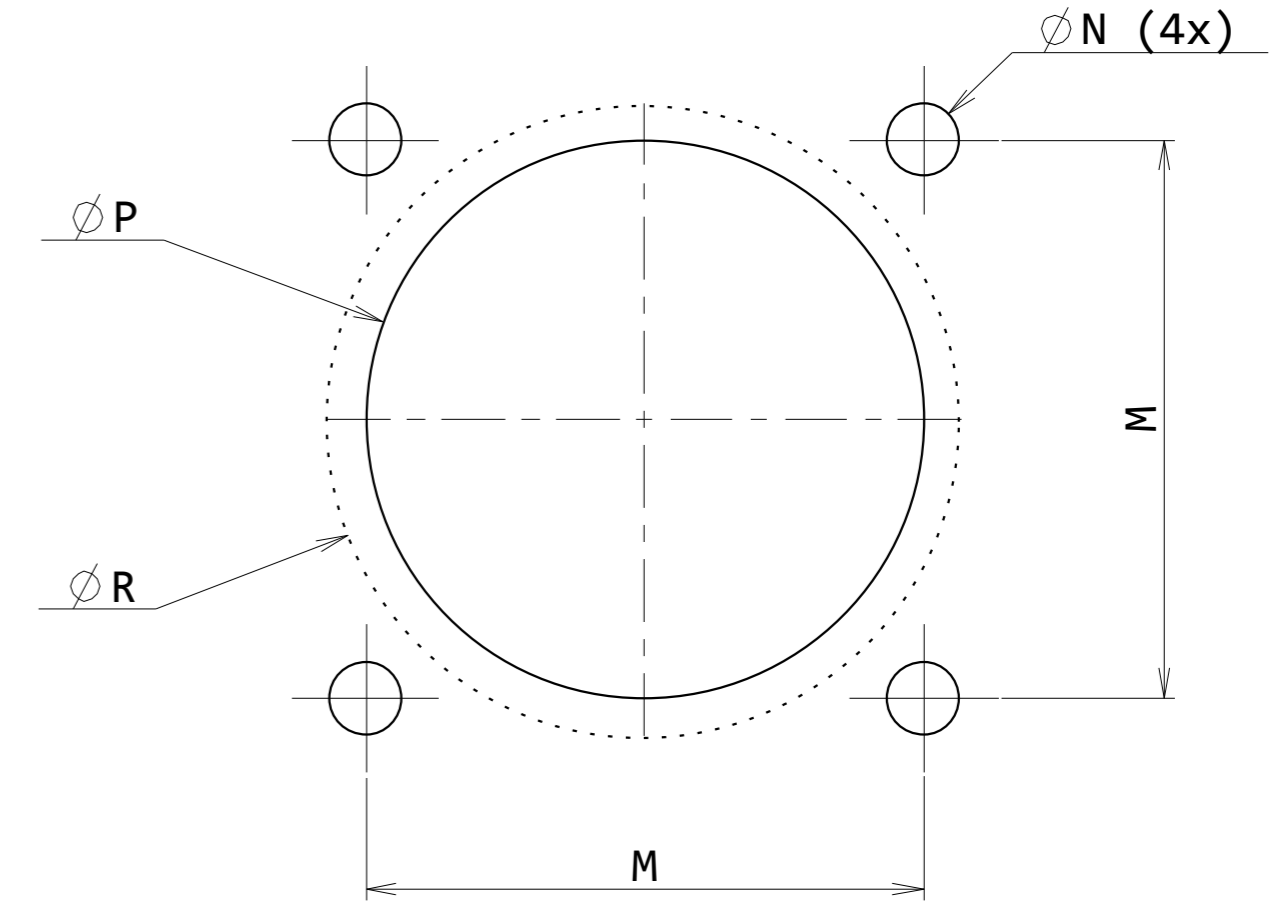


|                       |                                       |  |                                 |  |
|-----------------------|---------------------------------------|--|---------------------------------|--|
| <b>A</b>              | 18/05/2015                            | _CREATION OF THE DRAWING               |                                 | 24021  |
| ISS                   | DATE                                  | Latest modification - by: COUTY L.     |                                 | MOD N°   |
| Designed by: COUTY L. |                                       | Date: 18/05/2015                       |                                 | <b>CUSTOMER DRAWING</b>  |
| <b>TITLE</b>          |                                       | RECEPTACLE<br>UT0W CONNECTOR           |                                 |  |
| Scale                 | 5/2                                   | General linear<br>Tolerances:<br>± 0.1 | <b>NPRDS / PROJECT<br/>UT0W</b> |  |
| <b>SOURIAU</b>        |                                       | <b>WWW.SOURIAU.COM</b>                 |                                 | This document is the property of<br>SOURIAU<br>It must not be reproduced or<br>communicated without permission |
| FORMAT                | <b>SOURIAU DRG N°<br/>C002-UT00-A</b> |  |                                 | SHEET<br>1 / 2   |

In case the connectors are equipped with dipsolder contacts



### Panel Cut Out



Contacts to be ordered separately

| Part Number   | M $\pm 0.2$ | $\varnothing N \pm 0.1$ | $\varnothing P \pm 0.1$ | $\varnothing R \pm 0.1$ |
|---------------|-------------|-------------------------|-------------------------|-------------------------|
| UT0W0106--H-  | 18.26       | 3.20                    | 14.20                   | 17.30                   |
| UT0W01210--H- | 20.62       | 3.20                    | 18.40                   | 21.85                   |
| UT0W01419--H- | 23.01       | 3.20                    | 21.50                   | 25.00                   |
| UT0W01626--H- | 24.61       | 3.20                    | 24.60                   | 28.10                   |
| UT0W01832--H- | 26.97       | 3.20                    | 27.80                   | 31.35                   |
| UT0W02041--H- | 29.36       | 3.20                    | 30.95                   | 34.50                   |
| UT0W02255--H- | 31.75       | 3.20                    | 34.10                   | 37.70                   |
| UT0W02461--H- | 34.92       | 3.90                    | 37.30                   | 40.90                   |

-Dimension  $\varnothing P$  for front panel mounting (see to panel cut out)  
 -Dimension  $\varnothing R$  for rear panel mounting (see to panel cut out)

| MALE CONTACTS |      |      |      |       |
|---------------|------|------|------|-------|
| Part Number   | G    |      | H    |       |
|               | min  | max  | min  | max   |
| UT0W0106P-H-  | 8.45 | 10   | 9.35 | 11    |
| UT0W01210P-H- |      |      |      |       |
| UT0W01419P-H- |      |      |      |       |
| UT0W01626P-H- |      |      |      |       |
| UT0W01832P-H- |      |      |      |       |
| UT0W02041P-H- | 8.5  | 10.5 | 9.40 | 11.45 |
| UT0W02255P-H- | 8.4  | 10   | 9.35 | 11    |
| UT0W02461P-H- |      |      |      |       |

| FEMALE CONTACTS |     |      |     |      |
|-----------------|-----|------|-----|------|
| Part Number     | G   |      | H   |      |
|                 | min | max  | min | max  |
| UT0W0106S-H-    | 8.4 | 10.6 | 9.1 | 11.1 |
| UT0W01210S-H-   |     |      |     |      |
| UT0W01419S-H-   |     |      |     |      |
| UT0W01626S-H-   |     |      |     |      |
| UT0W01832S-H-   |     |      |     |      |
| UT0W02041S-H-   | 6.3 | 8.3  | 7   | 8.9  |
| UT0W02255S-H-   |     |      |     |      |
| UT0W02461S-H-   |     |      |     |      |

|                       |            |                                      |                         |   |
|-----------------------|------------|--------------------------------------|-------------------------|---|
| A                     | 18/05/2015 | _CREATION OF THE DRAWING             |                         | 24021   |
| ISS                   | DATE       | Latest modification - by: COUTY L.   |                         | MOD N°  |
| Designed by: COUTY L. |            | Date: 18/05/2015                     |                         | CUSTOMER DRAWING  |
| TITLE                 |            | RECEPTACLE<br>UT0W CONNECTOR         |                         |   |
| Scale                 | 3/1        | General linear Tolerances: $\pm 0.1$ | NPRDS / PROJECT<br>UT0W |   |
| SOURIAU               |            | WWW.SOURIAU.COM                      |                         | This document is the property of SOURIAU. It must not be reproduced or communicated without permission. |
| FORMAT                | A2         | SOURIAU DRG N°<br>C002-UT00-A        |                         | SHEET<br>2 / 2  |

## X-ON Electronics

Largest Supplier of Electrical and Electronic Components

*Click to view similar products for [Standard Circular Connector](#) category:*

*Click to view products by [Sunbank](#) manufacturer:*

Other Similar products are found below :

[5M2530B10P](#) [600259N006](#) [600273N007](#) [6134-336-13149](#) [6134-337-11149](#) [6134-337-2390](#) [6134-341-17149](#) [6280-4SG-516](#) [6280-7SG-3DC](#)  
[6290](#) [6291A](#) [66200A-10](#) [680-SMG](#) [681-PMG](#) [CXS3102A14S2P](#) [CXS3102A181S](#) [7271-6SG-300](#) [7282-3PG-300-CH3](#) [75-474014-05S](#) [75-](#)  
[474618-01S](#) [75-474618-04P](#) [75-474618-04S](#) [799539-000](#) [MI8-SE](#) [805-005-07NF11-19PC](#) [805-005-07NF15-7PA](#) [8280-4PG-516](#) [8280-7PG-](#)  
[519](#) [8282-5PG-519](#) [836783-1](#) [MP-4102-25P-C](#) [862256-1](#) [864019-2](#) [866857-1](#) [867865-1](#) [PT01SP-14-18P](#) [PT08P-14-5S](#) [120-1833-000](#)  
[QCM019PC2DC012B](#) [1-2069279-1](#) [121583-0217](#) [121667-0020](#) [129591AU](#) [1000B BULK](#) [RD10A16-19-P6CS051/1](#) [RD10A20-31-](#)  
[P8CS051/1](#) [RD16A14-12-S6CS051/2](#) [1301240290](#) [1301240347](#) [1301860202](#) [1301240268](#)