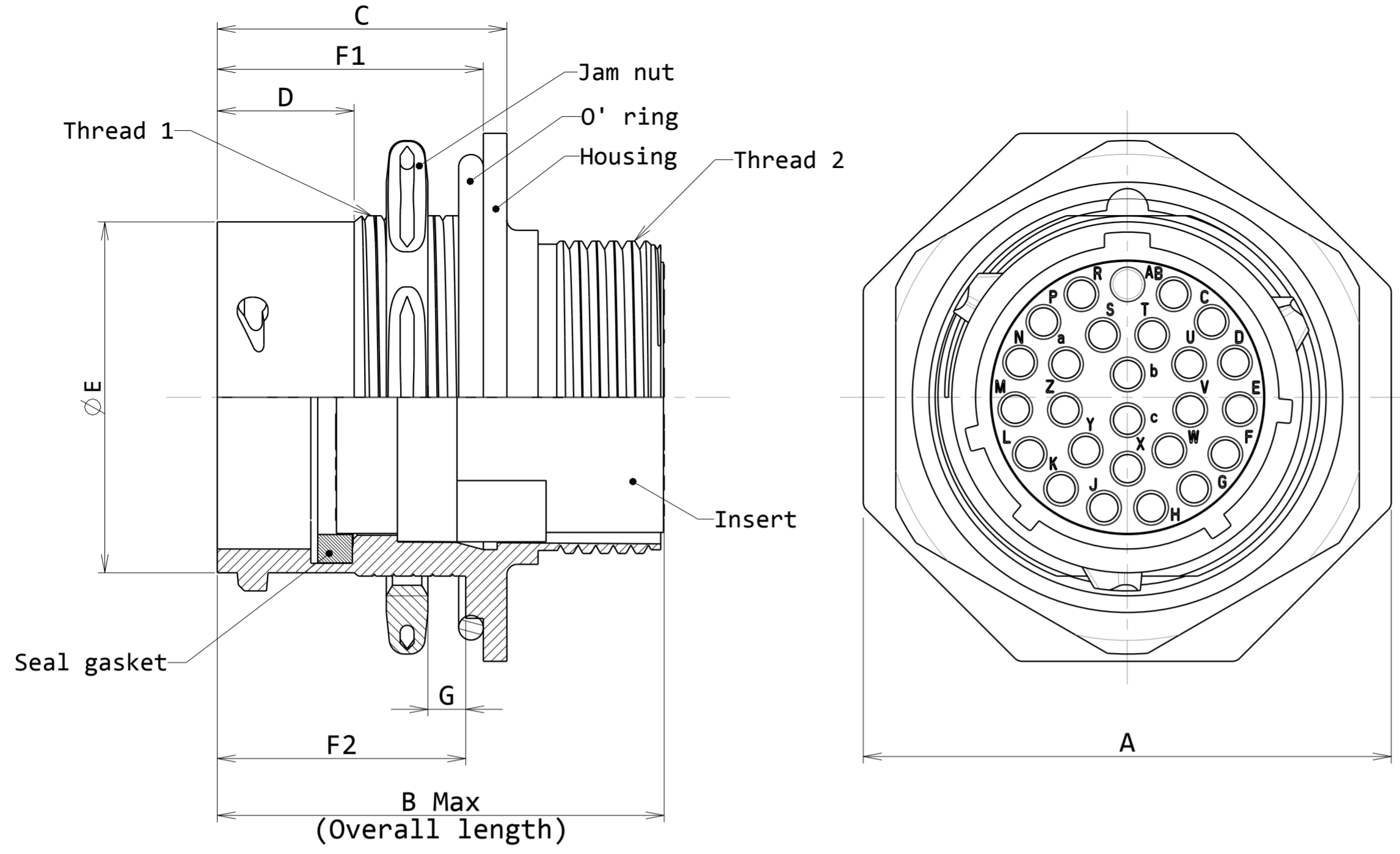


B.3: Valide



MATERIAL :
 Housing : Zinc alloy nickel plated
 Insert : PA 66 UL94 V0
 Mating gasket : sealing IP67:Nitril
 sealing IP68:Silicon
 O'ring : nitril
 Interfacial gasket (female connector only): thermoplastic elastomer
 Jam Nut : Aluminium alloy nickel plated

PERFORMANCE CHARACTERISTICS :
 Operating temperature : -40°C up to 105°C
 Insulation resistance : 5000 MΩ min
 Withstanding voltage : 1500 Vrms
 Corrosion salt spray : 48 hours (96 hours for specification 01)
 Durability : 500 matings and unmatings
 Sealing in mated conditions : IP67 / IP68 3 bars/30min as per IEC60529
 Sealing in mated conditions : IP69K as per DIN40050
 ROHS compliant

- NOTES :**
- 1- Contact identification and orientation of connector, refer to:
 UT0-CONTACT-L-C01 (Male)
 UT0-CONTACT-L-C02 (Female)
 - 2- Connector blocks accept size #20 male or female contacts
 (strip formed, machined crimp and spill)
 - 3- Contact to be ordered separately refer to : UT0 catalog
 - 4- This drawing covers p/n termination : -H / -H6 / -H01 / -H601
 - 5- Packaging : connector is individually packed in a plastic bag

Part Number (Note 4)	Thread 2 (for information)	A ±0.5	B Max (Overall length)		C ±0.2	D ±0.2	Ø E	F1	F2 ±0.2	G Max (Panel Thickness)	K ±0.4	Torque on nut max (Nm)
			Male	Female								
UT0W7106--H-	9/16-24 UNEF CLASS 2A	27					14.91				22.20	6
UT0W71210--H-	11/16-24 UNEF CLASS 2A	32					18.96				26.97	9
UT0W71419--H-	13/16-20 UNEF CLASS 2A	35	34	33	20.9	9.88	22.14	19.10	17.93	3.2	30.15	10
UT0W71626--H-	15/16-20 UNEF CLASS 2A	38.1					25.32				33.30	13
UT0W71832--H-	1"1/16-18 UNEF CLASS 2A	41.3					28.49				36.52	20
UT0W72041--H-	1"3/16-18 UNEF CLASS 2A	46	39	39	26.47	11.46	31.68	24.51	22.71	6.4	39.67	23
UT0W72041--H-	1"5/16-18 UNEF CLASS 2A	49.2					34.85				42.87	25
UT0W72461--H-	1"7/16-18 UNEF CLASS 2A	53.4	41	41	28.31	12.3	38.03	25.36	23.55		46.02	26

UT0W7 16 26 P W H6 01

Receptacle UT0W : Type 7

Shell size :

Insert arrangement : See Note 1

Contact : P : Male
 S : Female

Insert polarisation: No letter : Standard version
 W, X, Y, Z : Different orientation

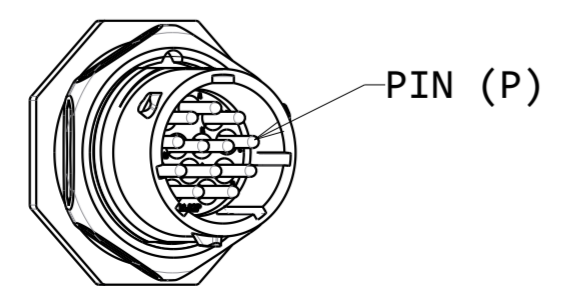
Sealing version : H : IP67 version
 H6 : IP68 version

Specification : No letter : Standard version
 01 : Jam nut is black anodized

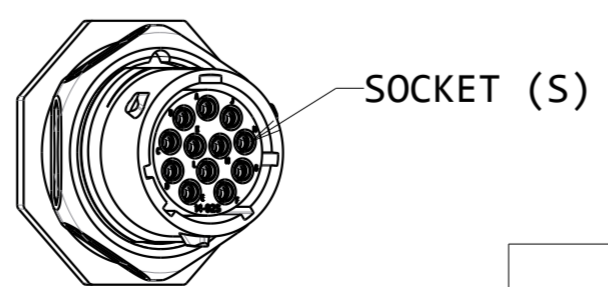
Country	Jurisdiction & Control List
FR	NOT LISTED

P/N : UT0W7 _ _ _ _ _

MALE CONNECTOR



FEMALE CONNECTOR

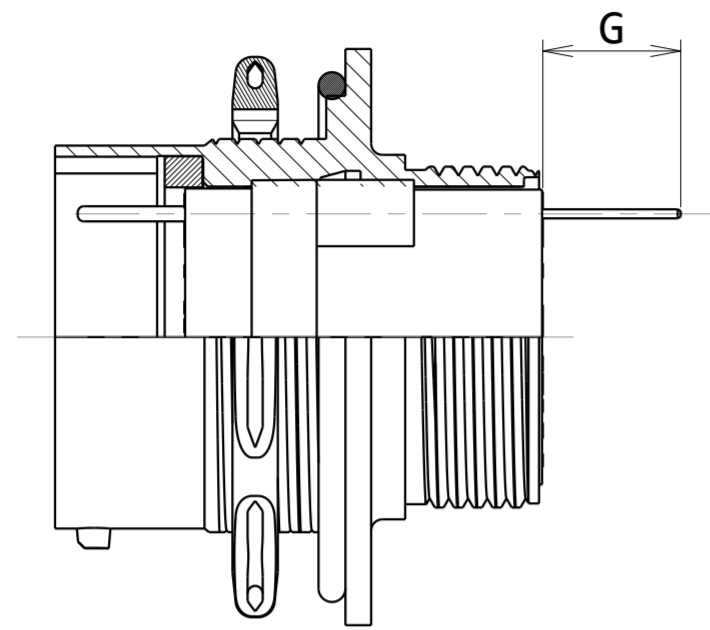


SOURIAU shall not be liable for any non-conformity or damage due to a use of the Products which does not comply with the Specifications issued by either of the Parties or by a third party (professional recommendation, technical notice.)

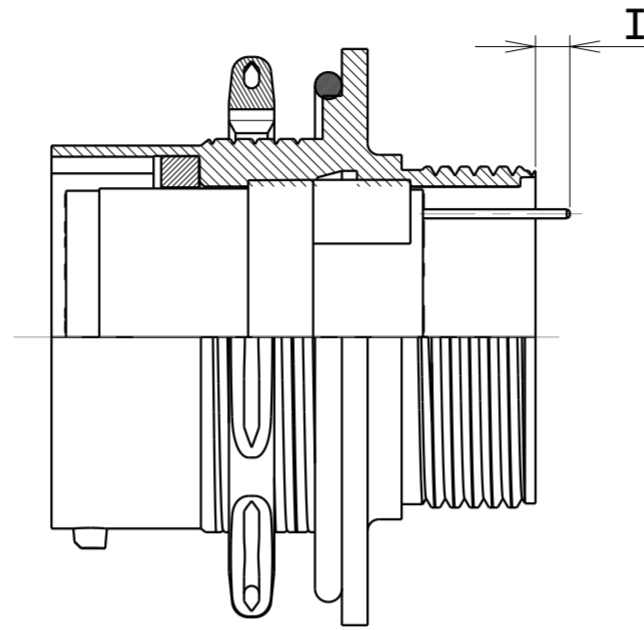
B	23/04/2018	Updating table -> "Thread 1" become "Thread 2"	
ISS	DATE	Latest modification - by:	COURTOIS L.
Designed by:	CHANTOISEAU P.	Date:	21/10/2013
CUSTOMER DRAWING			
TITLE	RECEPTACLE UT0W CONNECTOR		
Scale	3/1	General linear Tolerances: ± 0.1	NPRDS / PROJECT UT0W
SOURIAU		WWW.SOURIAU.COM	
This document is the property of SOURIAU It must not be reproduced or communicated without permission			
FORMAT	SOURIAU DRG N° C002-UT07-A		SHEET 1 / 2

In case the connectors are equipped with dipsolder contacts

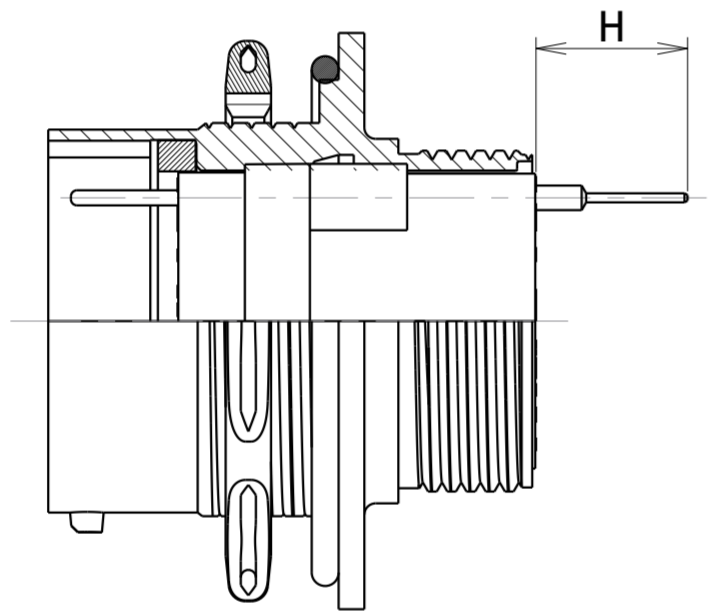
CONTACT RMW50A7* (Male)



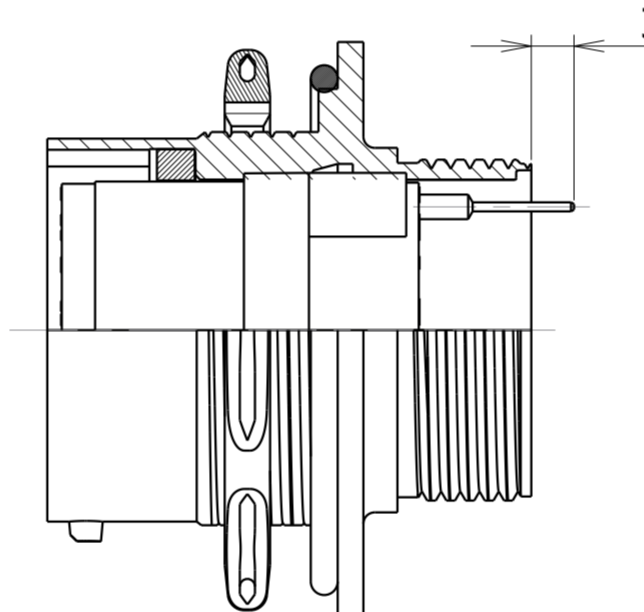
CONTACT RCW50A7* (Female)



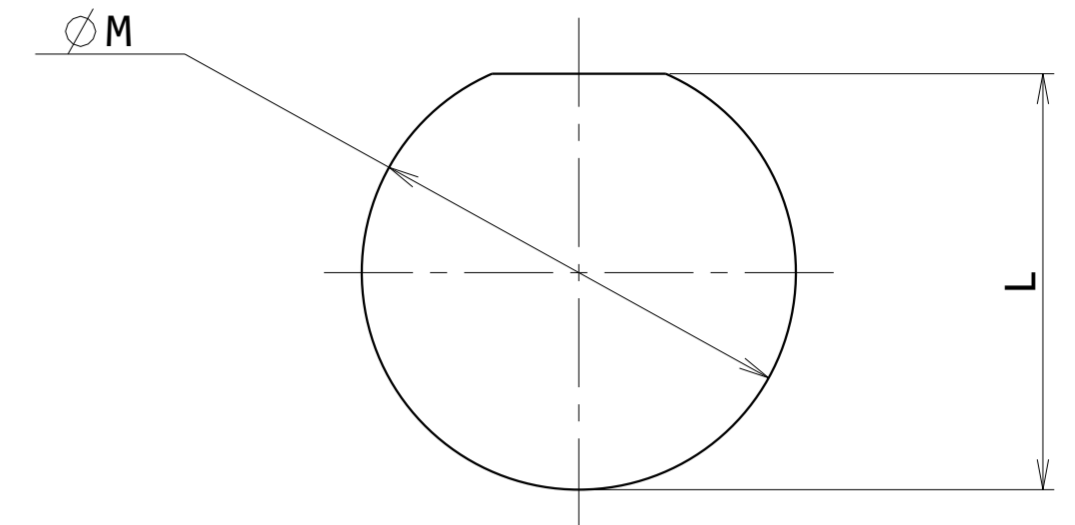
CONTACT RMW5016* (Male)



CONTACT RCW5016* (Female)



Panel Cut Out



Part Number (Male or Female)	L	∅ M
UT0W7106--H-	16.45 ^{+0.2} ₀	17.30 ^{+0.25} ₀
UT0W71210--H-	20.85 ^{+0.3} ₀	22.10 ^{+0.3} ₀
UT0W71419--H-	24.00 ^{+0.3} ₀	25.40 ^{+0.3} ₀
UT0W71626--H-	27.10 ^{+0.3} ₀	28.20 ^{+0.3} ₀
UT0W71832--H-	30.20 ^{+0.3} ₀	31.70 ^{+0.3} ₀
UT0W72041--H-	33.40 ^{+0.3} ₀	34.70 ^{+0.3} ₀
UT0W72255--H-	36.60 ^{+0.3} ₀	37.80 ^{+0.3} ₀
UT0W72461--H-	39.80 ^{+0.3} ₀	41.10 ^{+0.3} ₀

MALE CONTACTS				
Part Number	G		H	
	min	max	min	max
UT0W7106P-H-				
UT0W71210P-H-				
UT0W71419P-H-				
UT0W71626P-H-	8.2	10.1	9.1	11.0
UT0W71832P-H-				
UT0W72041P-H-				
UT0W72255P-H-				
UT0W72461P-H-				

FEMALE CONTACTS				
Part Number	I		J	
	min	max	min	max
UT0W7106S-H-				
UT0W71210S-H-				
UT0W71419S-H-	1.2	3.4	1.8	4
UT0W71626S-H-				
UT0W71832S-H-				
UT0W72041S-H-	NOT EXISTING			
UT0W72255S-H-				
UT0W72461S-H-				

Country	Jurisdiction & Control List
FR	NOT LISTED

P/N : UT0W7 _ _ _ _ _

B	23/04/2018	Updating table -> "Thread 1" become "Thread 2"	
ISS	DATE	Latest modification - by:	COURTOIS L.
Designed by:		CHANTOISEAU P.	Date: 21/10/2018
CUSTOMER DRAWING			
TITLE		RECEPTACLE UT0W CONNECTOR	
Scale	1/1	General linear Tolerances: ± 0.1	NPRDS / PROJECT UT0W
SOURIAU		WWW.SOURIAU.COM	
This document is the property of SOURIAU It must not be reproduced or communicated without permission			
FORMAT	A2	SOURIAU DRG N° C002-UT07-A	SHEET 2 / 2

SOURIAU shall not be liable for any non-conformity or damage due to a use of the Products which does not comply with the Specifications issued by either of the Parties or by a third party (professional recommendation, technical notice.)

X-ON Electronics

Largest Supplier of Electrical and Electronic Components

Click to view similar products for [Standard Circular Connector](#) category:

Click to view products by [Sunbank](#) manufacturer:

Other Similar products are found below :

[5M2530B10P](#) [600259N006](#) [600273N007](#) [6134-336-13149](#) [6134-337-11149](#) [6134-337-2390](#) [6134-341-17149](#) [6280-4SG-516](#) [6280-7SG-3DC](#)
[6290](#) [6291A](#) [66200A-10](#) [680-SMG](#) [681-PMG](#) [CXS3102A14S2P](#) [CXS3102A181S](#) [7251-5SG-300](#) [7271-6SG-300](#) [7282-3PG-300-CH3](#) [75-](#)
[474618-01S](#) [75-474618-04P](#) [75-474618-04S](#) [799539-000](#) [MI8-SE](#) [805-005-07NF11-19PC](#) [805-005-07NF15-7PA](#) [8280-4PG-516](#) [8280-7PG-](#)
[519](#) [8282-5PG-519](#) [836783-1](#) [MP-4102-25P-C](#) [862256-1](#) [864019-2](#) [866857-1](#) [867865-1](#) [PT01SP-14-18P](#) [PT08P-14-5S](#) [PTSF06SE-14-12S](#)
[120-1833-000](#) [QCM019PC2DC012B](#) [1-2069279-1](#) [121583-0217](#) [121667-0020](#) [129591AU](#) [1000B BULK](#) [RD10A16-19-P6CS051/1](#)
[RD10A20-31-P8CS051/1](#) [RD16A14-12-S6CS051/2](#) [1301240290](#) [1301240347](#) [1301860202](#)