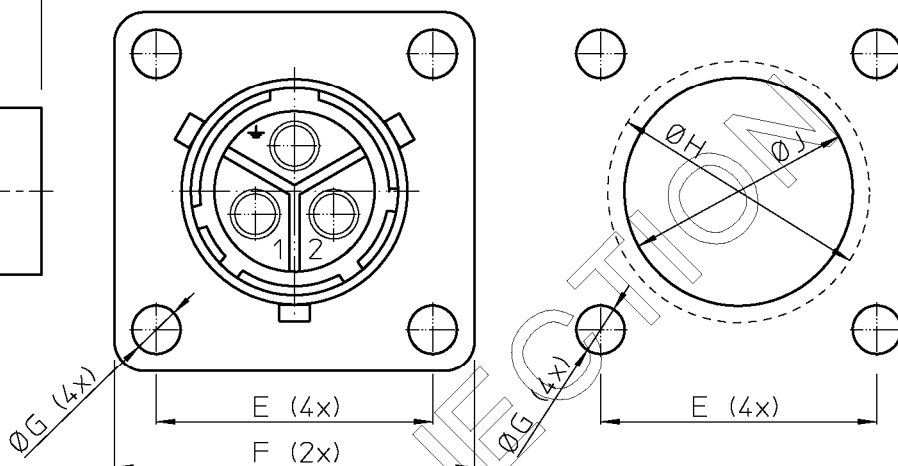
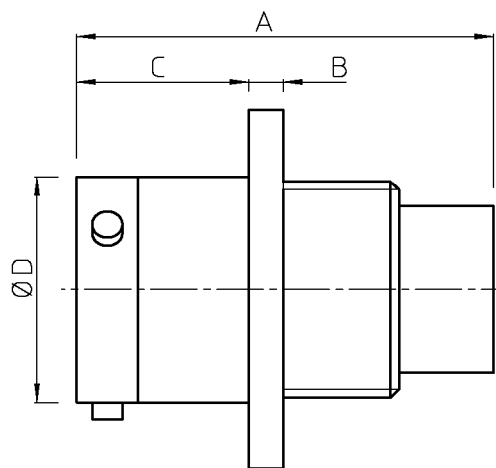


DIT IS ONZE EIGENDOM EN MAG NOCH NAGEMAAKT, HERDRUKT, OVERGEMAAKT AAN DERDEN, NOCH VOOR FABRIKATIE GEBRUIKT WORDEN, ZONDER ONZE SCHRIFTELIJKE TOELATING. BIJ NIET GEBRUIK IS DE TERUGZENDING VERPLICHT.

THIS IS OUR EXCLUSIVE PROPERTY. IT IS NOT TO BE COPIED, REPRINTED OR DISCLOSED TO A THIRD PARTY. NOR USED FOR MANUFACTURING WITHOUT OUR WRITTEN CONSENT, AND HAS TO BE RETURNED TO US IN CASE OF NO USAGE

REV.	DATE	DESCRIPTION	BY	C'K'D'
00	12.08.97	Redrawn from drawing BSA 100545 sheet 1	S.V.D.	
01	30.03.98	Note 4 added	S.V.D.	
02	10.03.99	Temperature range -55C instead of -25C	K.N.	



J : Dim. for front panel mounting.
H : Dim. for rear panel mounting.

Catalog Number	Dimensions								
	A max	B±0.1	C±0.2	D±0.15	E±0.15	F±0.25	G±0.15	H±0.1	J±0.1
UTG0103P(H)VDE	31.7	2.3	11.4	15.0	18.2	23.8	3.2	17.3	15.1
UTG0103S(H)VDE	27.6	2.3	11.4	15.0	18.2	23.8	3.2	17.3	15.1

Material :

Body : Glass-filled polyamide polyester, colour black UL94-V0.
Trilok ring : CuZn alloy Nickel plated.

Performance Characteristics :

Operating temperature : -55°C to +125°C.
Insulation resistance : 5000 M Ω min.
Test potential : 2000 Vac eff.
Design : according to VDE 0110 group C/220V.


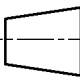
Notes :

- Connector accepts size 16 strip formed, machined and subminiature coaxial pin and socket contacts.
- Contacts to be ordered separately - see drawings BSA 060291, BSA 060101, BSA 060152
- When 'H' appears in the catalog number, the connector is water protected with an O-seal.
- Grounding cavity moved 1 mm to the front (= to mating face) compared with the other cavities.

02

BS, A , 202360 , 001

GEN. ST.	01	02	03	04	05	06	07	08	0D	50	60	70	80	90																	
INT. ST.	10	11	12	13	14	18	20	31	32	33	34	38	39	40	42	43	44	45	46	48	56	70	72	73	75	76	81	82	83	84	88

1DEC ±0,2 1DEC 2DEC ±0,1 2DEC ANGLES ±1° HOEKEN	APPR.	DATE	SIGN.	UTG BANTAM SIZE 10-3 REC. VDE APPROVED
	DRAFT	12-08-97	S. Van Dessel	CAT. No. UTG0103- (H) VDE
WE RESERVE THE RIGHT TO CHANGE DIMENSIONS OR REQUIREMENTS WITHOUT PRIOR NOTICE.	CHECKED			 SOURIAU Route Nationale 23 72470 CHAMPAGNE
	PROD. MGR.			
	PR. ENG. MGR.			
PR. MGT. MGR.				
ALL DIMENSIONS IN MM  ALLE AFMETINGEN IN MM	REFERENCES / REFERENTIES			BS, A , 202360 , 001 DRAWING NR. CUSTOMER DRAWING REVISTION

X-ON Electronics

Largest Supplier of Electrical and Electronic Components

Click to view similar products for [Standard Circular Contacts](#) category:

Click to view products by [Sunbank](#) manufacturer:

Other Similar products are found below :

[RC16M23J](#) [133780-1](#) [RM20M13D28](#) [RM24M9D28](#) [RMMX110-1D28](#) [MS3474W10-6P L/C](#) [ELVP16100E](#) [164-901-CD](#) [EN3545007SCE](#)
[BV002BSQ20049CZ](#) [BV002SSQ160404CZ](#) [1900ND05S1B00B](#) [166566-1](#) [1900ND04S1X00D](#) [ST-JL05-16S-C3-100](#) [ST-JL05-20S-C1-100](#)
[ST-JL05-20S-C2-100](#) [T01-CRIMP-S03](#) [APK-SA16A07-002](#) [27963-15T12](#) [CONT-JL05-08S-C2-10](#) [CONT-JL05-12S-C1-10](#) [RC16M-23T](#)
[RFD26L-1D28](#) [BV002ASJ16049CW](#) [JN1-22-20S-R-PKG100](#) [031-50213](#) [031-50565](#) [031-50794](#) [SJS861301M](#) [ST-JL05-16S-C1-100](#) [ST-](#)
[JL05-20P-C1-100](#) [82911466K](#) [192991-0087](#) [192900-0570](#) [T3P16FC3LZ](#) [ST-JL05-16S-C2-3500](#) [ZP-4016-10NF](#) [CONT-JL05-12P-C1-10](#)
[RM20M12G8D28](#) [031-50676](#) [12115010110](#) [RJFTVC2MG](#) [CAP-DACMDPC2](#) [031-50675-002](#) [CAP-DD1FDPC2](#) [CAP-DACMDPC1](#) [031-](#)
[50966-010](#) [ASSP-10-F-A-C-SA](#) [FB-00BSMA-TL7001](#)