

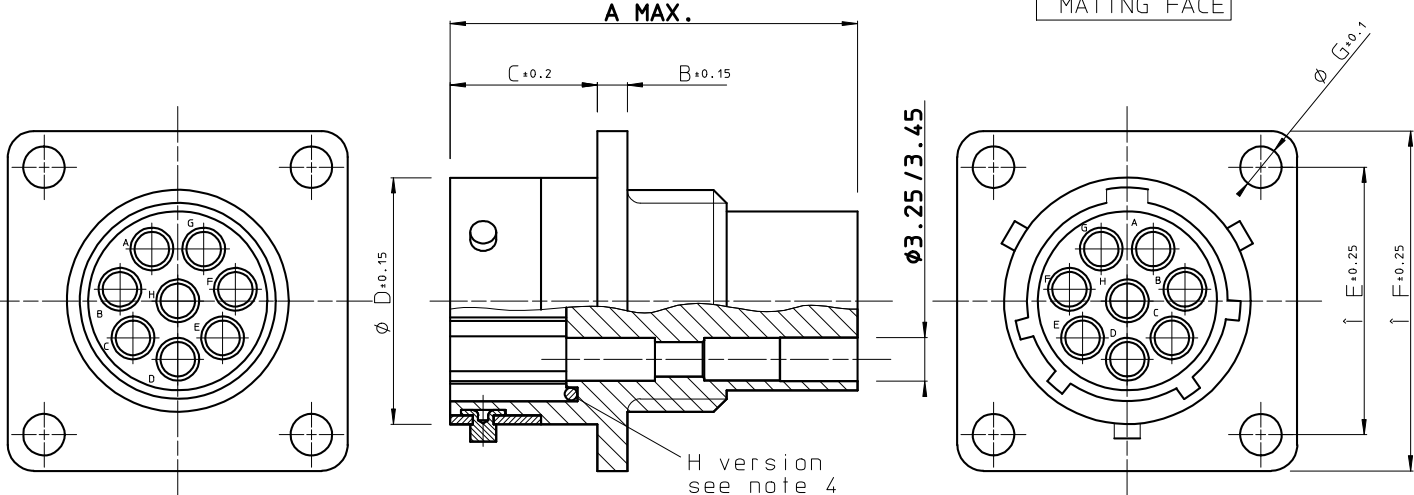
DIT IS ONZE EIGENDOM EN MAG NOCH INGEREKEN, HERBRUIKT, OVERGEMAAKT, AAN DEREN, NOCH VOOR FABRIKATIE GEBRUIKT WORDEN, ZONDER ONZE SCHRIFTELIJKE TOELATING. BIJ NIET GEBRUIK IS DE TERUGSENDING VERPLICHT.

THIS IS OUR EXCLUSIVE PROPERTY. IT IS NOT TO BE COPIED, REPRINTED, OR DISCLOSED TO A THIRD PARTY, NOR USED FOR MANUFACTURING WITHOUT OUR WRITTEN CONSENT, AND HAS TO BE RETURNED TO US IN CASE OF NO USAGE

REV.	DATE	DESCRIPTION	BY	C 'K' 'D'
02	17/03/94	CONVERSION ME10	J.G.	
03	10/03/99	Temperature range -55C instead of -25C	K.N.	
04	01/02/08	ADD MATERIAL OF O-SEAL FOR 'H' VERSION	R Ch	
05	21/01/10	ADD (H) VERSION IN THE TABLE	R Ch	

WIRING FACE

MATING FACE



CAT. NUMBER	A MAX.	B+0.15	C+0.2	Ø D+0.15	E+0.25	F+0.25	Ø G+0.1	Ø H+0.1	Ø J+0.1
UTG0104P(H)	31.7	2.3	11.3	15.0	18.3	23.8	3.2	17.3	15.1
UTG0125P(H)	31.7	2.3	11.3	19.0	20.6	26.2	3.2	21.8	18.2
UTG0128P(H)	31.7	2.3	11.3	19.0	20.6	26.2	3.2	21.8	18.2
UTG01412P(H)	31.7	2.3	11.3	22.2	23.0	28.6	3.2	25.0	21.4
UTG01619P(H)	31.7	2.3	11.3	25.3	24.6	31.0	3.2	28.1	24.6
UTG01823P(H)	31.7	2.5	11.3	28.5	26.9	33.1	3.2	31.3	27.8
UTG02028P(H)	33.3	2.5	14.5	31.7	29.4	36.5	3.2	34.5	30.9
UTG02235P(H)	33.3	3.5	14.4	34.9	31.6	39.3	3.2	37.7	34.1
UTG02448P(H)	33.3	3.5	15.3	38.0	34.9	42.9	3.9	40.9	37.3

UTG0128P AS SHOWN

**MATERIAL**

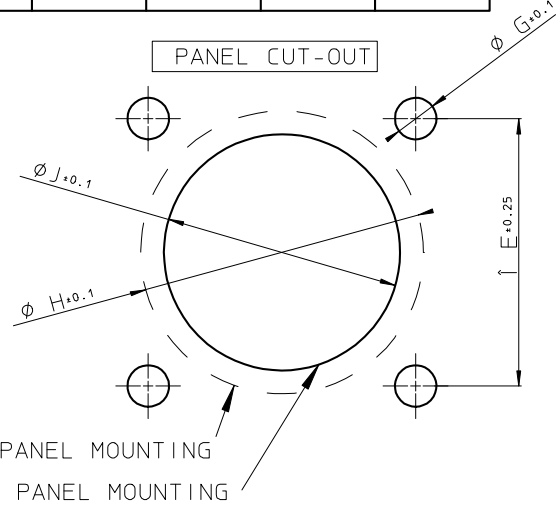
- BODY : GLASS-FILLED POLYESTER UL94-V0.  
COLOUR : BLACK.
- TRILOK RING : HIGH STRENGTH CuZn ALLOY, NICKEL PLATED.
- O-SEAL : NBR

**PERFORMANCE CHARACTERISTICS**

- OPERATING TEMPERATURE : -55 °C TO +125 °C.
- INSULATION RESISTANCE : 5000 MΩ MIN.
- TEST POTENTIAL : 2000 V EFF.

**NOTES**

- 1.CONNECTOR ACCEPTS # 16 STRIP FORMED, MACHINED AND SUBMINIATURE COAXIAL PIN AND SOCKET CONTACTS.
- 2.CONTACTS TO BE ORDERED SEPARATELY : REFER TO TRIM - TRIO CATALOG.
- 3.FOR OTHER INSERT ARRANGEMENTS SEE BS,C ,201458,000
- 4.FOR WATERPROTECTED VERSION: ADD "H" TO THE CAT.NO. E.G. CAT.NO.: UTG0128PH



REAR PANEL MOUNTING  
FRONT PANEL MOUNTING

05

BS, A , 201458, 001

GEN. ST.	01	02	03	04	05	06	07	08	0D	50	60	70	80	90																	
INT. ST.	10	11	12	13	14	18	20	31	32	33	34	38	39	40	42	43	44	45	46	48	56	70	72	73	75	76	81	82	83	84	88

1DEC ±0,2 2DEC ±0,1 ANGLES ±1° HOEKEN	<b>APPR.</b> DRAFT CHECKED	<b>DATE</b> 7-6-91	<b>SIGN.</b> M BUEDS	<b>MALE RECEPTACLE</b>	
WE RESERVE THE RIGHT TO CHANGE DIMENSIONS OR REQUIREMENTS WITHOUT PRIOR NOTICE.	PROD. MGR. PR.ENG.MGR. PR.MGT.MGR.			<b>CAT. No. UTG----P(H)</b>	
ALL DIMENSIONS IN MM	<b>REFERENCES/REFERENTIES</b>			<b>SOURIAU</b> Route Nationale 23 72470 CHAMPAGNE	
ALLE AFMETINGEN IN MM				BS, A , 201458, 001 <b>NOT EXPORT CONTROLLED</b>	
				DRAWING NR.	CUSTOMER DRAWING
				REVISION	

SCALE

**SOURIAU**  
Connection Technology

**SOURIAU**  
Route Nationale 23  
72470 CHAMPAGNE

DRAWING NR. CUSTOMER DRAWING REVISION

## X-ON Electronics

Largest Supplier of Electrical and Electronic Components

*Click to view similar products for [Standard Circular Connector](#) category:*

*Click to view products by [Sunbank](#) manufacturer:*

Other Similar products are found below :

[5M2530B10P](#) [600259N006](#) [600273N007](#) [6134-336-13149](#) [6134-337-11149](#) [6134-337-2390](#) [6134-341-17149](#) [6280-4SG-516](#) [6280-7SG-3DC](#)  
[6290](#) [6291A](#) [66200A-10](#) [680-SMG](#) [681-PMG](#) [CXS3102A14S2P](#) [CXS3102A181S](#) [7271-6SG-300](#) [7282-3PG-300-CH3](#) [75-474618-01S](#) [75-](#)  
[474618-04P](#) [75-474618-04S](#) [799539-000](#) [MI8-SE](#) [805-005-07NF11-19PC](#) [805-005-07NF15-7PA](#) [8280-4PG-516](#) [8280-7PG-519](#) [8282-5PG-](#)  
[519](#) [836783-1](#) [MP-4102-25P-C](#) [862256-1](#) [864019-2](#) [866857-1](#) [867865-1](#) [PT01SP-14-18P](#) [PT08P-14-5S](#) [120-1833-000](#)  
[QCM019PC2DC012B](#) [1-2069279-1](#) [121583-0217](#) [121667-0020](#) [129591AU](#) [1000B BULK](#) [RD10A16-19-P6CS051/1](#) [RD10A20-31-](#)  
[P8CS051/1](#) [RD16A14-12-S6CS051/2](#) [1301240290](#) [1301240347](#) [1301860202](#) [1301240268](#) [1301240275](#)