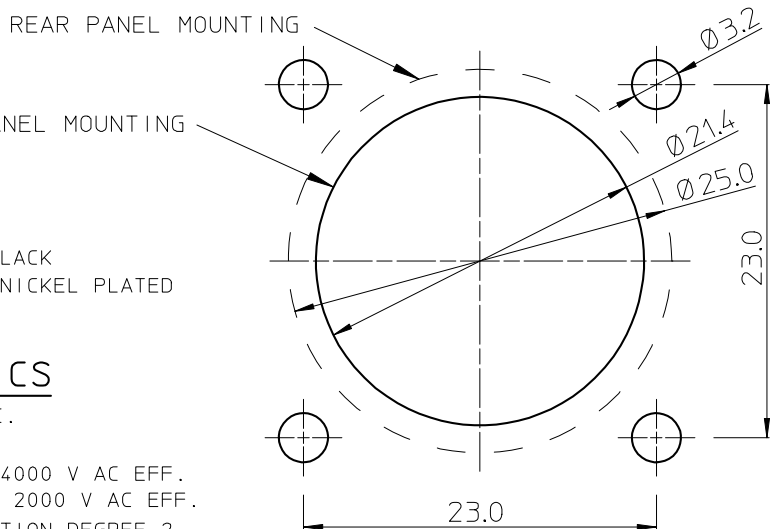
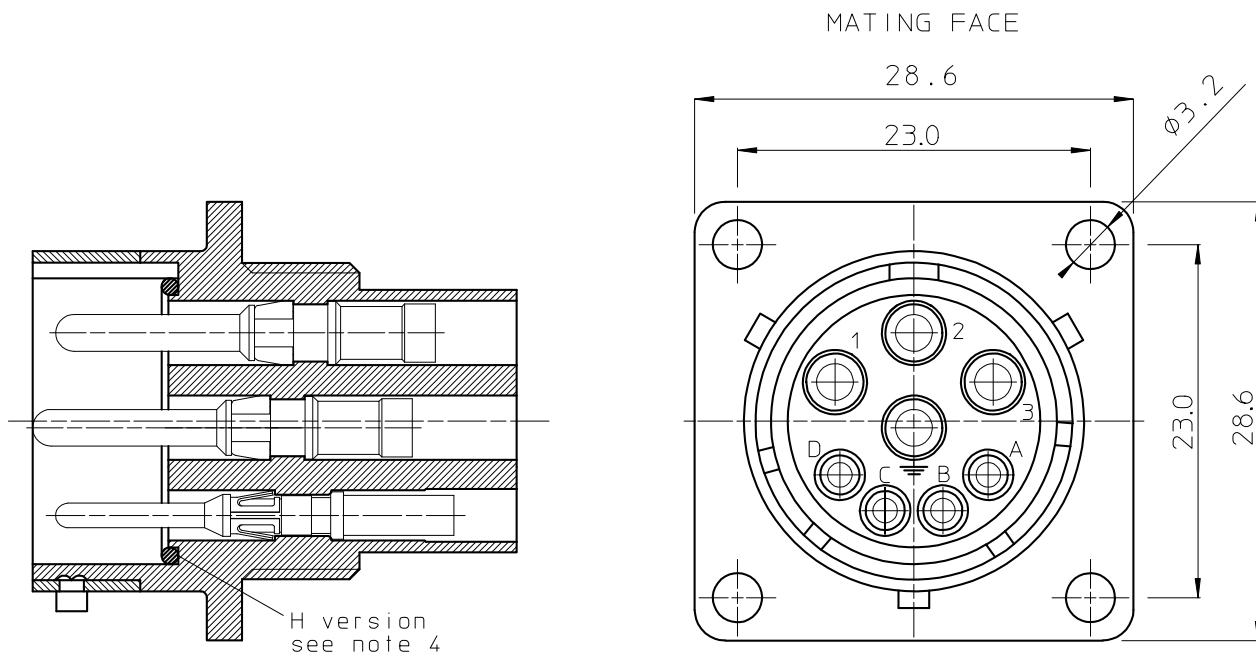


DIT IS ONZE EIGENDOM EN MAG NOCH NAGEMAAKT, HERDRUKT, OVERGEMAAKT AAN DERDEN, NOCH VOOR FABRIKATIE GEBRUIKT WORDEN, ZONDER ONZE SCHRIFTELIJKE TOELATING. BIJ NIET GEBRUIK IS DE TERUGZENDING VERPLICHT.

THIS IS OUR EXCLUSIVE PROPERTY. IT IS NOT TO BE COPIED, REPRINTED OR DISCLOSED TO A THIRD PARTY, NOR USED FOR MANUFACTURING WITHOUT OUR WRITTEN CONSENT, AND HAS TO BE RETURNED TO US IN CASE OF NO USAGE

| REV. | DATE     | DESCRIPTION | BY   |
|------|----------|-------------|------|
| 00   | 28/09/07 | FIRST ISSUE | R Ch |
|      |          |             |      |
|      |          |             |      |



## MATERIAL

- BODY : GLASS-FILLED POLYESTER. COLOUR: BLACK
- TRILOK RING : HIGH STRENGTH CuZn ALLOY, NICKEL PLATED
- O-RING: GREEN VITON.


## PERFORMANCE CHARACTERISTICS

- OPERATING TEMPERATURE : -55 °C TO +125 °C.
  - INSULATION RESISTANCE : 5000 MOhm MIN.
  - TEST POTENTIAL : POWER CONTACTS: 4000 V AC EFF.  
SIGNAL CONTACTS: 2000 V AC EFF.
  - VOLTAGE: PER VDE 0110 : CLASS II - POLLUTION DEGREE 2
- POWER CONTACTS: OVERVOLTAGE : 600 V AC eff. Phase to Ground  
CREEP VOLTAGE: 630 V AC eff. Phase to phase
- SIGNAL CONTACTS: OVERVOLTAGE : 300 V AC eff. Phase to Ground  
CREEP VOLTAGE: 400 V AC eff. Phase to phase

## NOTES

- CONNECTOR ACCEPTS: Ø 2.4 MM MACHINED PIN CONTACTS IN POS. 1, 2, 3, AND GROUNDING.  
Ø 1.6 MM MACHINED PIN CONTACTS IN POS. A, B, C, AND D.
- CONTACTS ARE NOT INCLUDED AND HAVE TO BE ORDERED SEPARATELY.
- MATING PART : UTG6148SN
- FOR WATERPROTECTED VERSION: ADD "H" TO THE CAT.NO. E.G. CAT.NO.: UTG0148PH

|          |    |    |    |    |    |    |    |    |    |    |    |    |    |    |    |    |    |    |    |    |    |    |    |    |    |    |    |    |    |    |    |
|----------|----|----|----|----|----|----|----|----|----|----|----|----|----|----|----|----|----|----|----|----|----|----|----|----|----|----|----|----|----|----|----|
| GEN. ST. | 01 | 02 | 03 | 04 | 05 | 06 | 07 | 08 | 0D | 50 | 60 | 70 | 80 | 90 |    |    |    |    |    |    |    |    |    |    |    |    |    |    |    |    |    |
| INT. ST. | 10 | 11 | 12 | 13 | 14 | 18 | 20 | 31 | 32 | 33 | 34 | 38 | 39 | 40 | 42 | 43 | 44 | 45 | 46 | 48 | 56 | 70 | 72 | 73 | 75 | 76 | 81 | 82 | 83 | 84 | 88 |

|   |                                  |                         |                           |  |  |
|---|----------------------------------|-------------------------|---------------------------|--|--|
| 1DEC ±0,2<br>2DEC ±0,1<br>ANGLES ±1°<br>HOEKEN                                  | <b>APPR.</b><br>DRAFT<br>CHECKED | <b>DATE</b><br>28/09/07 | <b>SIGN.</b><br>ROUILLARD | 8 POS. METALOK BANTAM MALE RECEPTACLE  |  |
| WE RESERVE THE RIGHT TO CHANGE DIMENSIONS OR REQUIREMENTS WITHOUT PRIOR NOTICE. | PROD. MGR.                       |                         |                           | <b>CAT. No.</b> UTG0148P(H)  |  |
| ALL DIMENSIONS IN MM  | PR.ENG.MGR.                      |                         |                           |  <b>SOURIAU</b><br>Route Nationale 23<br>72470 CHAMPAGNE |  |
| ALLE AFMETINGEN IN MM   | PR.MGT.MGR.                      |                         |                           | SCALE<br>2/1   |  |
| <b>REFERENCES / REFERENTIES</b>   |                                  |                         |                           | BS,A , 203016,002 <b>NOT EXPORT CONTROLLED</b>   |  |
| DRAWING NR.   |                                  | CUSTOMER DRAWING        |                           | REVISION   |  |

BS,A , 203016,002

## X-ON Electronics

Largest Supplier of Electrical and Electronic Components

*Click to view similar products for [Standard Circular Connector](#) category:*

*Click to view products by [Sunbank](#) manufacturer:*

Other Similar products are found below :

[5M2530B10P](#) [600259N006](#) [600273N007](#) [6134-336-13149](#) [6134-337-11149](#) [6134-337-2390](#) [6134-341-17149](#) [6280-4SG-516](#) [6280-7SG-3DC](#)  
[6290](#) [6291A](#) [66200A-10](#) [680-SMG](#) [681-PMG](#) [CXS3102A14S2P](#) [CXS3102A181S](#) [7271-6SG-300](#) [7282-3PG-300-CH3](#) [75-474014-05S](#) [75-](#)  
[474618-01S](#) [75-474618-04P](#) [75-474618-04S](#) [799539-000](#) [MI8-SE](#) [805-005-07NF11-19PC](#) [805-005-07NF15-7PA](#) [8280-4PG-516](#) [8280-7PG-](#)  
[519](#) [8282-5PG-519](#) [836783-1](#) [MP-4102-25P-C](#) [862256-1](#) [864019-2](#) [866857-1](#) [867865-1](#) [PT01SP-14-18P](#) [PT08P-14-5S](#) [120-1833-000](#)  
[QCM019PC2DC012B](#) [1-2069279-1](#) [121583-0217](#) [121667-0020](#) [129591AU](#) [1000B BULK](#) [RD10A16-19-P6CS051/1](#) [RD10A20-31-](#)  
[P8CS051/1](#) [RD16A14-12-S6CS051/2](#) [1301240290](#) [1301240347](#) [1301860202](#) [1301240268](#)