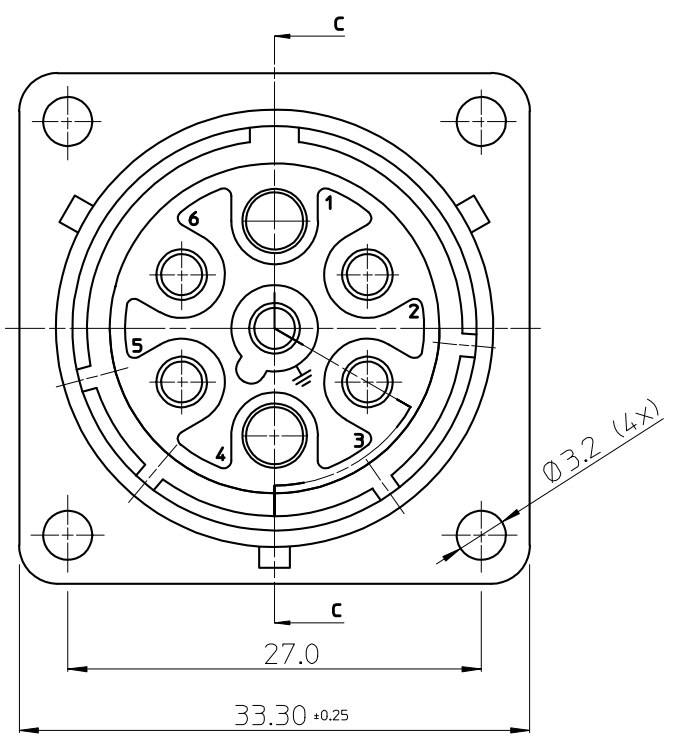
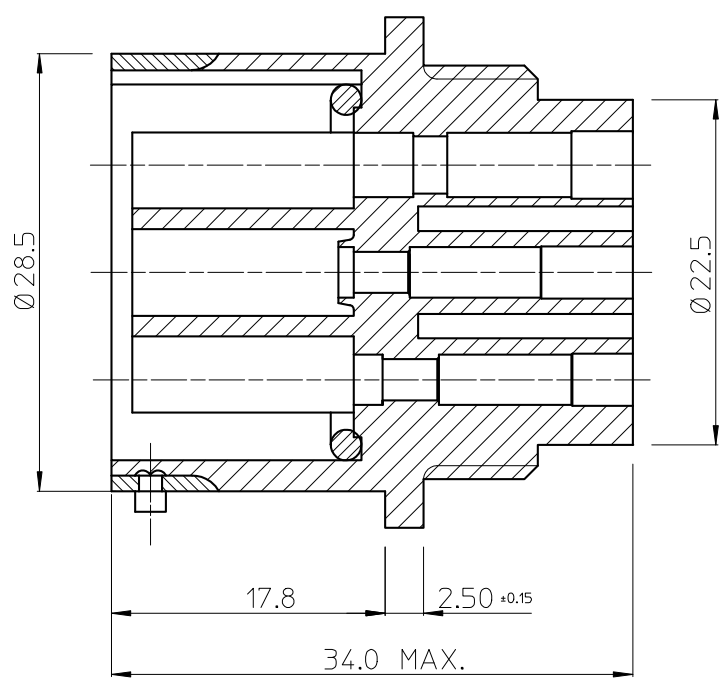


DIT IS ONZE EIGENDOM EN MAG NOCH NAGEMAAKT, HERDRUKT, OVERGEMAAKT AAN DEREN, NOCH VOOR FABRIKATIE GEBRUIKT WORDEN, ZONDER ONZE SCHRIFTELIJKE TOELATING. BIJ NIET GEBRUIK IS DE TERUGZENDING VERPLICHT.
 THIS IS OUR EXCLUSIVE PROPERTY. IT IS NOT TO BE COPIED, REPRINTED OR DISCLOSED TO A THIRD PARTY, NOR USED FOR MANUFACTURING WITHOUT OUR WRITTEN CONSENT, AND HAS TO BE RETURNED TO US IN CASE OF NO USAGE

REV.	DATE	DESCRIPTION	BY	C'K'D'
00	16/11/07	FIRST ISSUE	R.Ch	

SECTION C-C

MATING FACE



MATERIAL :

- BODY : GLASS-FILLED POLYESTER, COLOUR BLACK.
- TRILOK RING : HIGH STRENGTH CuZn ALLOY, NICKEL PLATED.

PERFORMANCE CHARACTERISTICS :

- OPERATING TEMPERATURE : -55°C TO +125°C.
- INSULATION RESISTANCE : 5000 M Ohm MIN.
- TEST POTENTIAL : 2000 V EFF.

NOTES :

- CONNECTOR ACCEPTS: Ø 2.4 MM MACHINED PIN CONTACTS IN POS. 1, 4.
Ø 1.6 MM PIN CONTACTS IN POS. 2, 3, 5, 6 AND 7.
- CONNECTOR ACCEPTS # 16 STRIP FORMED, MACHINED AND SUBMINIATURE COAXIAL PIN AND SOCKET CONTACTS AND # 12 MACHINED CONTACTS
- CONTACTS TO BE ORDERED SEPARATELY.
- FOR WATERPROTECTED VERSION: ADD "H" TO THE CAT.NO. E.G. CAT.NO.: UTG0187PH34

00

BS, A , 202140, 005

GEN. ST.	01	02	03	04	05	06	07	08	0D	50	60	70	80	90																	
INT. ST.	10	11	12	13	14	18	20	31	32	33	34	38	39	40	42	43	44	45	46	48	56	70	72	73	75	76	81	82	83	84	88
1DEC ±0,2 2DEC ±0,1 ANGLES ±1°	1DEC 2DEC HOEKEN	APPR.		DATE	SIGN.	MALE UTG187 REC. WITH 2 CONTACTS Ø2.4																									
WE RESERVE THE RIGHT TO CHANGE DIMENSIONS OR REQUIREMENTS WITHOUT PRIOR NOTICE.		DRAFT		16/11/07	ROUILLARD Ch	CAT. No. UTG0187P(H)34																									
ALL DIMENSIONS IN MM		CHECKED		PROD. MGR.		SOURIAU Route Nationale 23 72470 CHAMPAGNE										SCALE															
ALLE AFMETINGEN IN MM		PR.ENG.MGR.		PR.MGT.MGR.												2 : 1															
		REFERENCES / REFERENTIES				BS, A , 202140, 005										NOT EXPORT CONTROLLED															
						DRAWING NR.										CUSTOMER DRAWING	REVISION														

X-ON Electronics

Largest Supplier of Electrical and Electronic Components

Click to view similar products for [Standard Circular Connector](#) category:

Click to view products by [Sunbank](#) manufacturer:

Other Similar products are found below :

[5M2530B10P](#) [600259N006](#) [600273N007](#) [6134-336-13149](#) [6134-337-11149](#) [6134-337-2390](#) [6134-341-17149](#) [6280-4SG-516](#) [6280-7SG-3DC](#)
[6290](#) [6291A](#) [66200A-10](#) [680-SMG](#) [681-PMG](#) [CXS3102A14S2P](#) [CXS3102A181S](#) [7271-6SG-300](#) [7282-3PG-300-CH3](#) [75-474014-05S](#) [75-](#)
[474618-01S](#) [75-474618-04P](#) [75-474618-04S](#) [799539-000](#) [MI8-SE](#) [805-005-07NF11-19PC](#) [805-005-07NF15-7PA](#) [8280-4PG-516](#) [8280-7PG-](#)
[519](#) [8282-5PG-519](#) [836783-1](#) [MP-4102-25P-C](#) [862256-1](#) [864019-2](#) [866857-1](#) [867865-1](#) [PT01SP-14-18P](#) [PT08P-14-5S](#) [120-1833-000](#)
[QCM019PC2DC012B](#) [1-2069279-1](#) [121583-0217](#) [121667-0020](#) [129591AU](#) [1000B BULK](#) [RD10A16-19-P6CS051/1](#) [RD10A20-31-](#)
[P8CS051/1](#) [RD16A14-12-S6CS051/2](#) [1301240290](#) [1301240347](#) [1301860202](#) [1301240268](#)