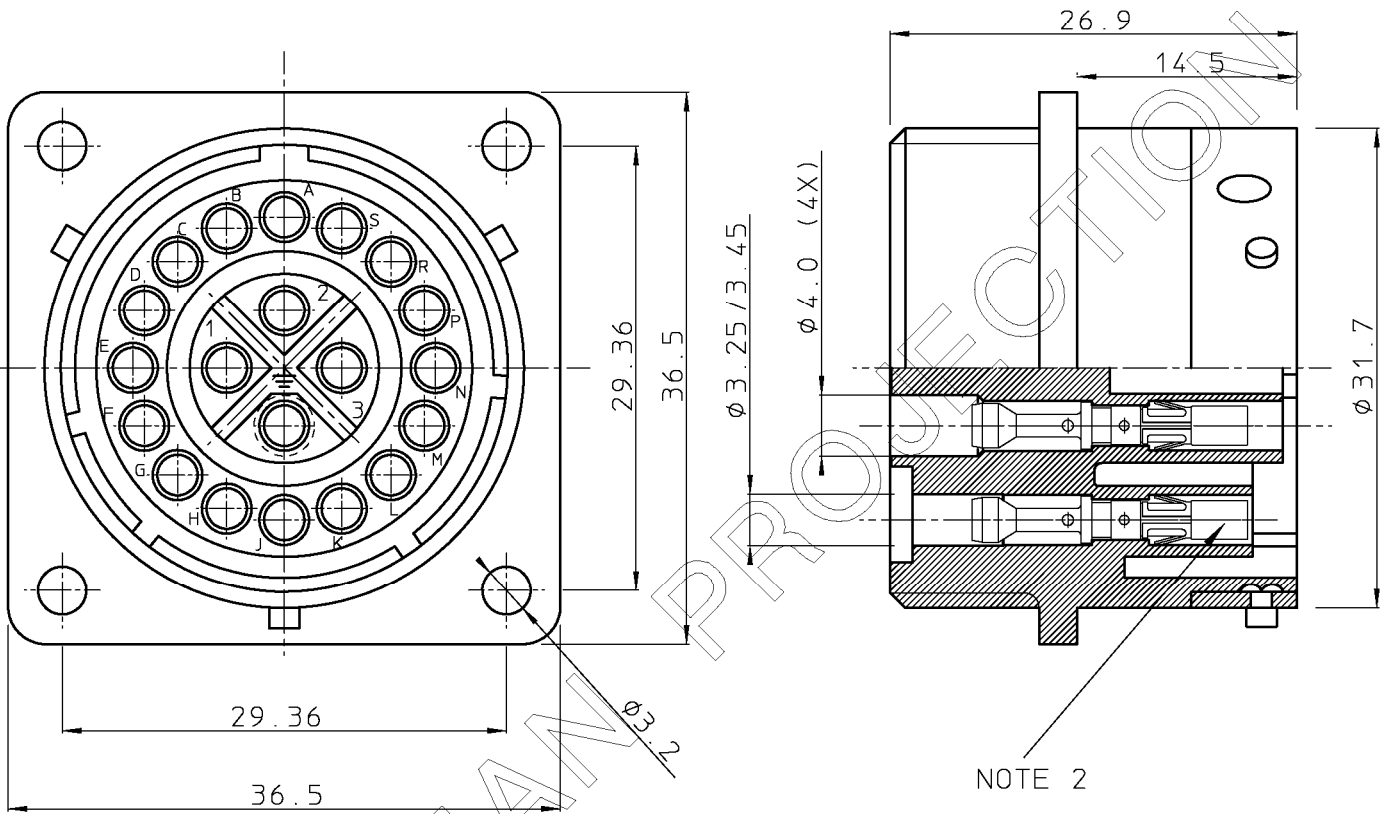


DIT IS ONZE EIGENDOM EN MAG NOCH NAGEMAAKT, HERDRUKT, OVERGEMAAKT AAN DERDEN, NOCH VOOR FABRIKATIE GEBRUIKT WORDEN, ZONDER ONZE SCHRIFTELIJKE TOELATING. BIJ NIET GEBRUIK IS DE TERUGZENDING VERPLICHT.

THIS IS OUR EXCLUSIVE PROPERTY. IT IS NOT TO BE COPIED, REPRINTED OR DISCLOSED TO A THIRD PARTY. NOR USED FOR MANUFACTURING WITHOUT OUR WRITTEN CONSENT, AND HAS TO BE RETURNED TO US IN CASE OF NO USAGE

REV.	DATE	DESCRIPTION	BY	C'K'D'
01	06-09-90	DRAWING ADJUSTED	J.V.B.	
02	03-09-92	CAVITY DIAMETER ENLARGED	Y.D.	
03	07-11-95	B.E.C. 9.3289	K.N.	
04	10-03-99	Temperature range -55C instead of -25C	K.N.	



MATERIAL

- BODY : GLASS-FILLED POLYESTER UL94-V0.
COLOUR : BLACK.
- TRILOK RING : HIGH STRENGTH CuZn ALLOY, NICKEL PLATED.

PERFORMANCE CHARACTERISTICS


- OPERATING TEMPERATURE : -55 °C TO +125 °C.
- INSULATION RESISTANCE : 5000 MΩ MIN.
- TEST POTENTIAL : 2000 V EFF.
- 4 CONTACTS PER VDE 0110 CLASS 3-380V
CLASS 2-600V

NOTES

- CONNECTOR ACCEPTS # 16 STRIP FORMED, MACHINED AND SUBMINIATURE COAXIAL PIN AND SOCKET CONTACTS.
- CONTACTS TO BE ORDERED SEPARATELY : REFER TO TRIM-TRIO CATALOG.
- FOR WATERPROTECTED VERSION : ADD 'H' TO CATALOG NUMBER : E.G. UTG02020SH

04

BS, A , 201052, 003

GEN. ST.	01	02	03	04	05	06	07	08	0D	50	60	70	80	90																	
INT. ST.	10	11	12	13	14	18	20	31	32	33	34	38	39	40	42	43	44	45	46	48	56	70	72	73	75	76	81	82	83	84	88
1DEC ±0,2 2DEC ±0,1 ANGLES ±1°	1DEC 2DEC HOEKEN			APPR.	DATE	SIGN.	FEMALE RECEPTACLE METALOK BANTAM 20 POS.																								
WE RESERVE THE RIGHT TO CHANGE DIMENSIONS OR REQUIREMENTS WITHOUT PRIOR NOTICE.		DRAFT		23-11-89	M. BUEDS	CAT. No. UTG02020S																									
ALL DIMENSIONS IN MM		PR. ENG. MGR.				 SOURIAU Route Nationale 23 72470 CHAMPAGNE										SCALE															
ALLE AFMETINGEN IN MM		PR. MGT. MGR.				REFERENCES / REFERENTIES																									
DRAWING NR.										CUSTOMER DRAWING										REVISTON											

X-ON Electronics

Largest Supplier of Electrical and Electronic Components

Click to view similar products for [Standard Circular Connector](#) category:

Click to view products by [Sunbank](#) manufacturer:

Other Similar products are found below :

[5M2530B10P](#) [600259N006](#) [600273N007](#) [6134-336-13149](#) [6134-337-11149](#) [6134-337-2390](#) [6134-341-17149](#) [6280-4SG-516](#) [6280-7SG-3DC](#)
[6290](#) [6291A](#) [66200A-10](#) [680-SMG](#) [681-PMG](#) [CXS3102A14S2P](#) [CXS3102A181S](#) [7271-6SG-300](#) [7282-3PG-300-CH3](#) [75-474014-05S](#) [75-](#)
[474618-01S](#) [75-474618-04P](#) [75-474618-04S](#) [799539-000](#) [MI8-SE](#) [805-005-07NF11-19PC](#) [805-005-07NF15-7PA](#) [8280-4PG-516](#) [8280-7PG-](#)
[519](#) [8282-5PG-519](#) [836783-1](#) [MP-4102-25P-C](#) [862256-1](#) [864019-2](#) [866857-1](#) [867865-1](#) [PT01SP-14-18P](#) [PT08P-14-5S](#) [120-1833-000](#)
[QCM019PC2DC012B](#) [1-2069279-1](#) [121583-0217](#) [121667-0020](#) [129591AU](#) [1000B BULK](#) [RD10A16-19-P6CS051/1](#) [RD10A20-31-](#)
[P8CS051/1](#) [RD16A14-12-S6CS051/2](#) [1301240290](#) [1301240347](#) [1301860202](#) [1301240268](#)