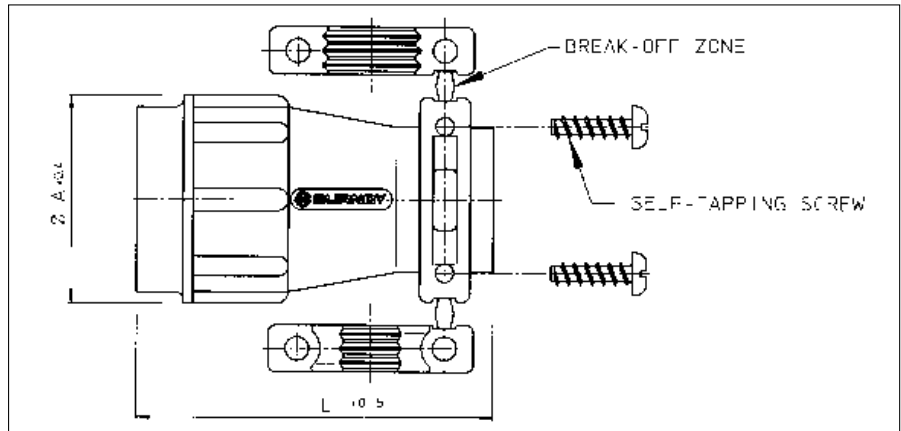


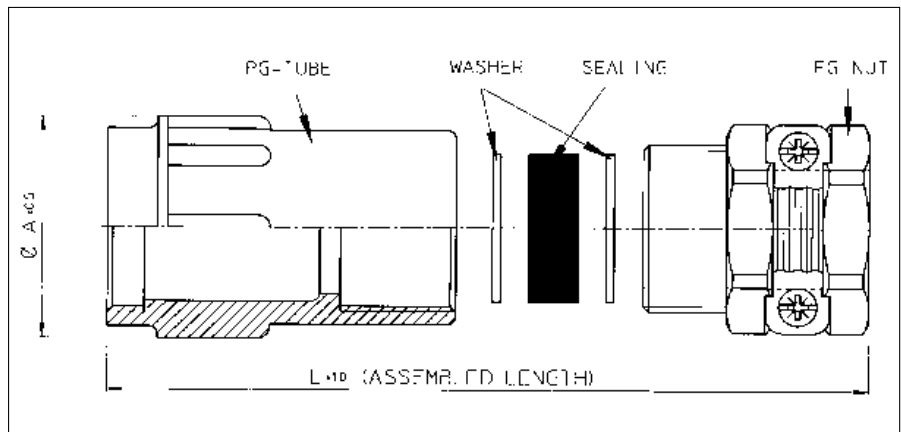


Plastic cable clamp with strain relief (UTG--AC)



Part number	Shell size	Cable range \varnothing	$\varnothing A_{\pm 0.4}$	$L_{\pm 0.5}$
UTG10AC	10	3.0 - 8.7	21.0	40.0
UTG12AC	12	3.0 - 12.8	24.0	40.0
UTG14AC	14	4.0 - 13.8	27.0	46.0
UTG16AC	16	5.0 - 17.0	30.2	46.0
UTG18AC	18	5.0 - 19.0	33.3	50.0
UTG20AC	20	5.0 - 21.0	36.5	55.0
UTG22AC	22	5.0 - 23.0	39.7	60.0
UTG24AC	24	8.0 - 27.0	42.9	65.0

Plastic cable clamp with strain relief nut for waterprotected (IP65) applications (UTG--PG)

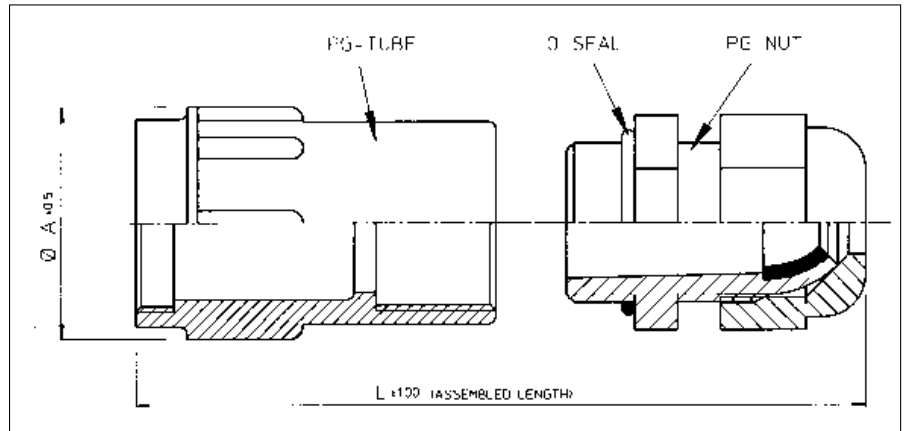


Part number	Shell size	Sealing* outer dia x inner dia's	$L_{\pm 1}$	$A_{\pm 0.5}$
UTG10PG	10	13.5 x 5 x 8	54	21.0
UTG12PG	12	16 x 7 x 10.5 x 13 x 16	57	24.0
UTG14PG	14	18.5 x 7 x 10.5 x 13 x 16	62	27.0
UTG16PG	16	20.5 x 8 x 10.5 x 13 x 16	68	30.2
UTG18PG	18	20.5 x 8 x 10.5 x 13 x 16	71	33.3
UTG20PG	20	26 x 11 x 15 x 18 x 22	82	36.5
UTG22PG	22	26 x 11 x 15 x 18 x 22	88	39.7
UTG24PG	24	35 x 19 x 23 x 27 x 31	103	42.9

*In order to accommodate different cable dia's, the sealing exists of different layers which can be pulled out easily.

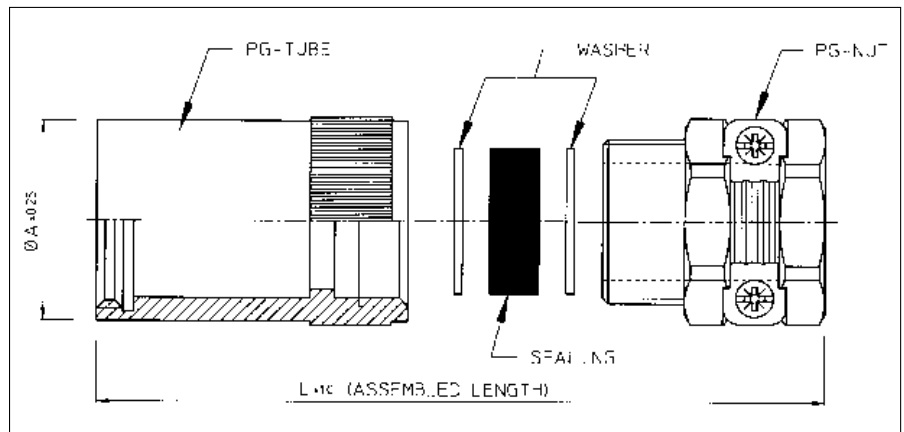


Plastic cable clamp with strain relief nut for waterprotected (IP67) applications (UTG--ST)



Part number	Shell size	Cable range	Dia. A ± 0.5	L ± 1
UTG10ST	10	2 - 6	21.0	64
UTG12ST	12	3 - 7	24.0	64
UTG14ST	14	6 - 9	27.0	69
UTG16ST	16	7 - 12	30.2	72
UTG18ST	18		33.3	76
UTG20ST	20	9 - 16	36.5	80
UTG22ST	22		39.7	86
UTG24ST	24	13 - 20	42.9	91

Metal cable clamp with strain relief nut for waterprotected applications (UT0--PGT)



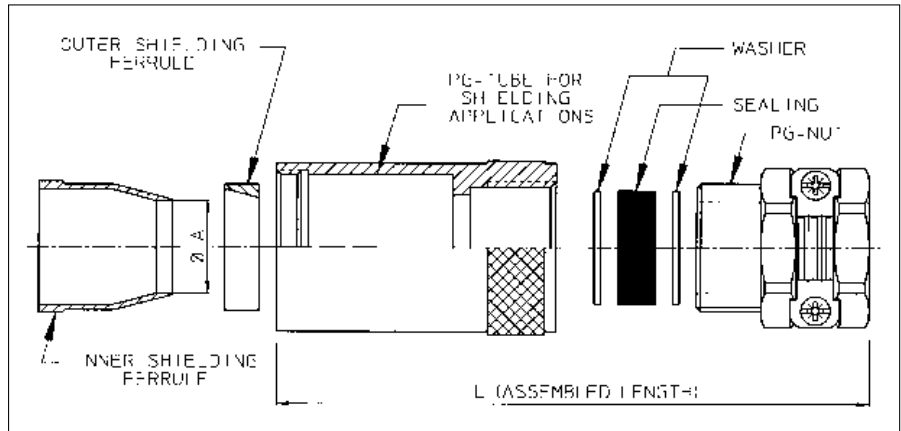
Part number	Shell size	Sealing* outer dia x inner dia's	L ± 1	A ± 0.25
UT010PGT	10	13.5 x 5 x 8	53	16.7
UT012PGT	12	16 x 7 x 10.5 x 13 x 16	57	20.1
UT014PGT	14	18.5 x 7 x 10.5 x 13 x 16	62	23.0
UT016PGT	16	20.5 x 8 x 10.5 x 13 x 16	68	26.2
UT018PGT	18	20.5 x 8 x 10.5 x 13 x 16	71	29.6
UT020PGT	20	26 x 11 x 15 x 18 x 22	82	32.5
UT022PGT	22	26 x 11 x 15 x 18 x 22	88	35.7
UT024PGT	24	35 x 19 x 23 x 27 x 31	103	39.2

*In order to accommodate different cable dia's, the sealing exists of different layers which can be pulled out easily.

Circular - accessories



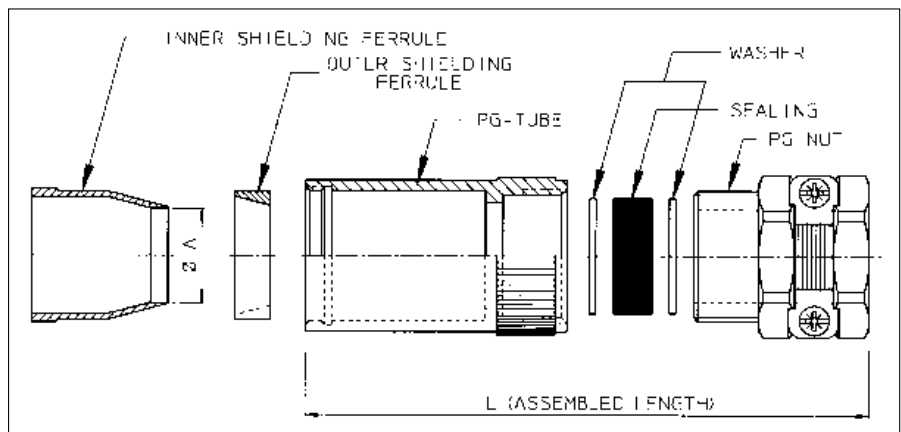
Shielded cable clamp only suitable for UTGS connectors (UTGS----PGN)



Part number		Shell size	Ø A	L	Sealing* outer dia x inner dia's
For pin contacts	For socket contacts				
	UTGS10PGN	10	8.8	54	13.5 x 5 x 8
	UTGS12PGN	12	12.0	57	16 x 7 x 10.5 x 13
	UTGS14PGN	14	14.4	62	18.5 x 7 x 10.5 x 13 x 16
	UTGS16PGN	16	16.4	68	20.5 x 8 x 10.5 x 13 x 16
	UTGS18PGN	18	16.8	71	20.5 x 8 x 10.5 x 13 x 16
UTGS20PGPN	UTGS20PGSN	20	22.3	82	26 x 11 x 15 x 18 x 22
UTGS22PGPN	UTGS22PGSN	22	22.3	88	26 x 11 x 15 x 18 x 22
UTGS24PGPN	UTGS24PGSN	24	30.0	103	35 x 19 x 23 x 27 x 31

*In order to accommodate different cable dia's, the sealing exists of different layers which can be pulled out easily.

Shielded cable clamp only suitable for UT0 connectors (UT0S----PG00T)

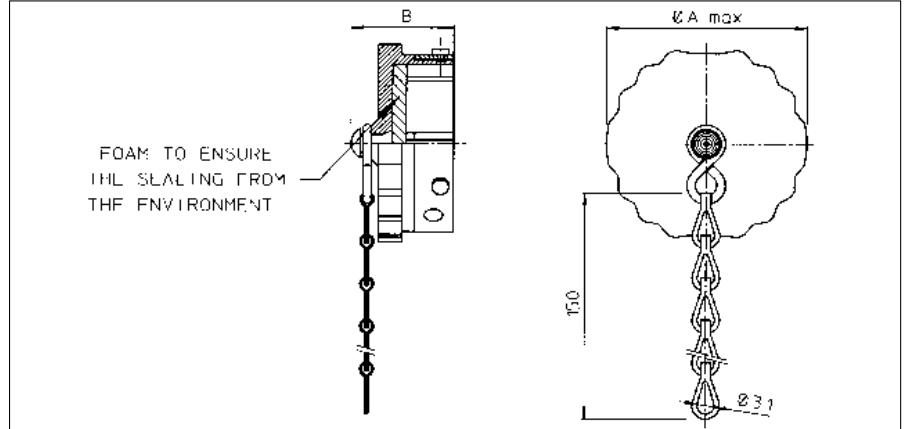


Part number		Shell size	Ø A	L	Sealing* outer dia x inner dia's
For pin contacts	For socket contacts				
	UT0S10PG00T	10	8.8	54	13.5 x 5 x 8
	UT0S12PG00T	12	12.0	57	16 x 7 x 10.5 x 13 x 16
	UT0S14PG00T	14	14.4	62	18.5 x 7 x 10.5 x 13 x 16
	UT0S16PG00T	16	16.4	68	20.5 x 8 x 10.5 x 13 x 16
	UT0S18PG00T	18	16.8	71	20.5 x 8 x 10.5 x 13 x 16
UT0S20PGP00T	UT0S20PGS00T	20	22.3	82	26 x 11 x 15 x 18 x 22
UT0S22PGP00T	UT0S22PGS00T	22	22.3	88	26 x 11 x 15 x 18 x 22
UT0S24PGP00T	UT0S24PGS00T	24	30.0	103	35 x 19 x 23 x 27 x 31

*In order to accommodate different cable dia's, the sealing exists of different layers which can be pulled out easily.



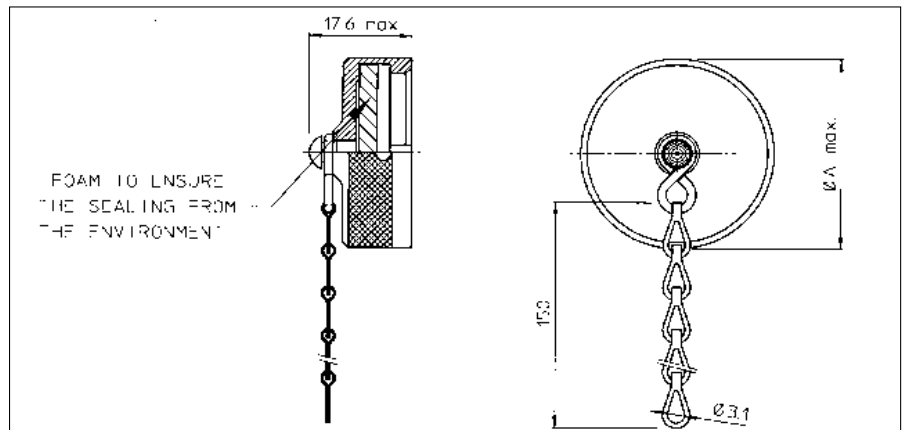
Environmental dustcap for plugs (UTG6--DCG)



Part number	Shell size	A max.	B
UTG610DCG	10	20.0	20.8
UTG612DCG	12	24.0	
UTG614DCG	14	27.5	
UTG616DCG	16	30.5	
UTG618DCG	18	33.5	
UTG620DCG	20	36.5	22.5
UTG622DCG	22	40.0	
UTG624DCG	24	43.0	

For dustcap without chain skip "G" e.g. UTG612DC

Metal environmental dustcap for receptacles (UTG--DCG)



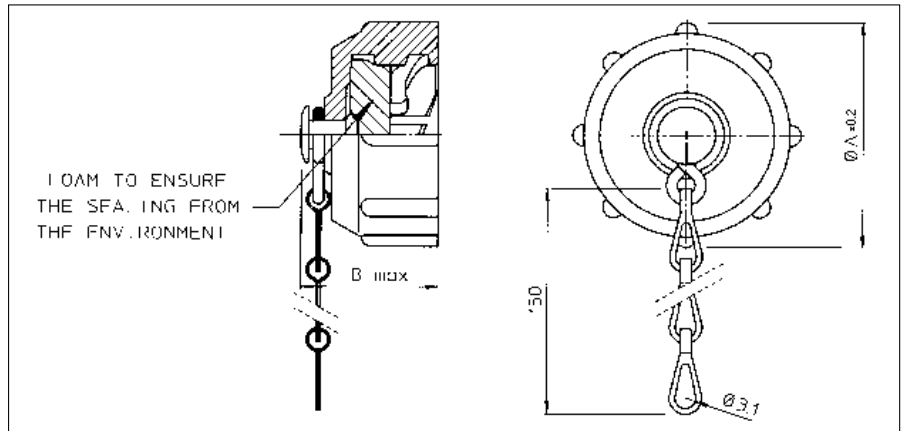
Part number	Shell size	A max.
UTG10DCG	10	20.8
UTG12DCG	12	24.9
UTG14DCG	14	28.1
UTG16DCG	16	31.3
UTG18DCG	18	34.4
UTG20DCG	20	37.6
UTG22DCG	22	40.8
UTG24DCG	24	43.9

For dustcap without chain skip "G" e.g. UTG12DC

Circular - accessories



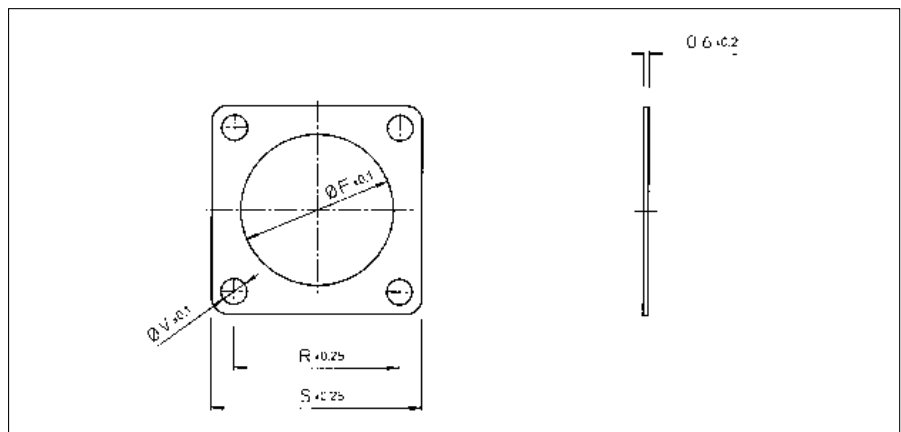
Plastic environmental dustcap for receptacles (UTP--DCG)



Part number	Shell size	Ø A ±0.2	B max.
UTP10DCG	10	26.7	19.3
UTP12DCG	12	31.4	20.0
UTP14DCG	14	34.5	20.2
UTP16DCG	16	37.8	
UTP18DCG	18	40.8	
UTP20DCG	20	43.9	21.8
UTP22DCG	22	47.0	
UTP24DCG	24	50.1	

For dustcap without chain skip "G" e.g. UTP12DC

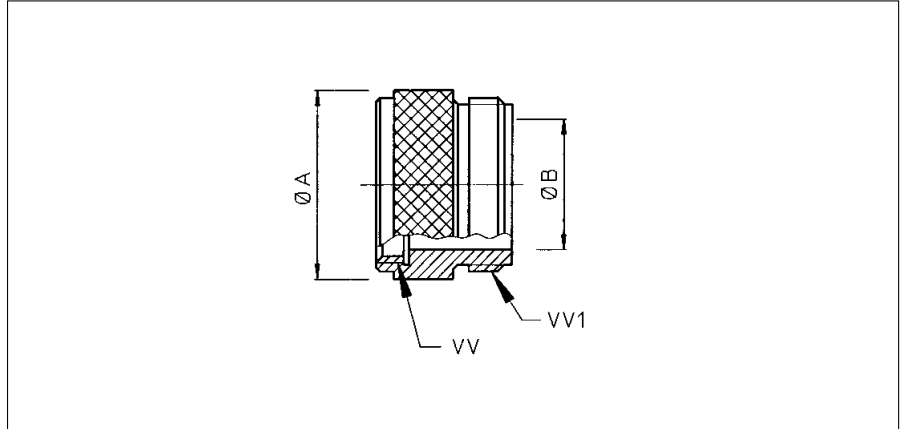
Sealing for square flange receptacle (UTFD1-B)



Part number	Shell size	Ø F ±0.1	R ±0.25	S ±0.25	Ø V
UTFD12B	10	15.9	18.3	23.8	3.3
UTFD13B	12	19.0	20.6	26.2	
UTFD14B	14	22.2	23.0	28.6	
UTFD15B	16	25.4	24.6	31.0	
UTFD16B	18	28.6	27.0	33.3	
UTFD17B	20	31.8	29.4	36.5	
UTFD18B	22	34.9	31.8	39.7	
UTFD19B	24	38.1	34.9	42.9	
					4.0

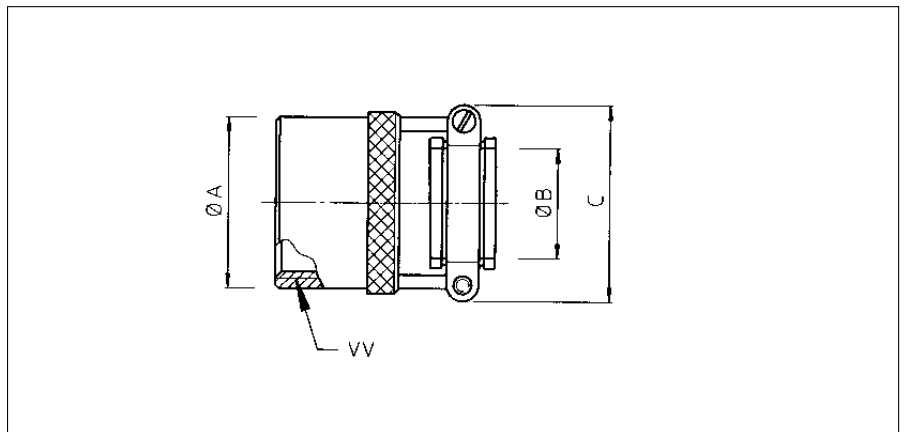


A – General duty Termination



Part number	Shell size	Ø A	Ø B	VV - Thread UNEF	VV1 - Thread UNEF
B10P36E	10	18,2	11,3	9/16-24	5/8-24
B12P36E	12	21,1	14,2	11/16-24	3/8-20
B14P36E	14	24,6	17,4	13/16-20	7/8-20
B16P36E	16	27,6	20,6	15/16-20	1-20
B18P36E	18	30,8	22,9	1 1/16-18	1 3/8-18
B20P36E	20	33,8	26,1	1 3/16-18	1 3/8-18
B22P36E	22	37,0	29,3	1 5/16-18	1 7/16-18
B24P36E	24	40,3	32,4	1 7/16-18	1 7/16-18

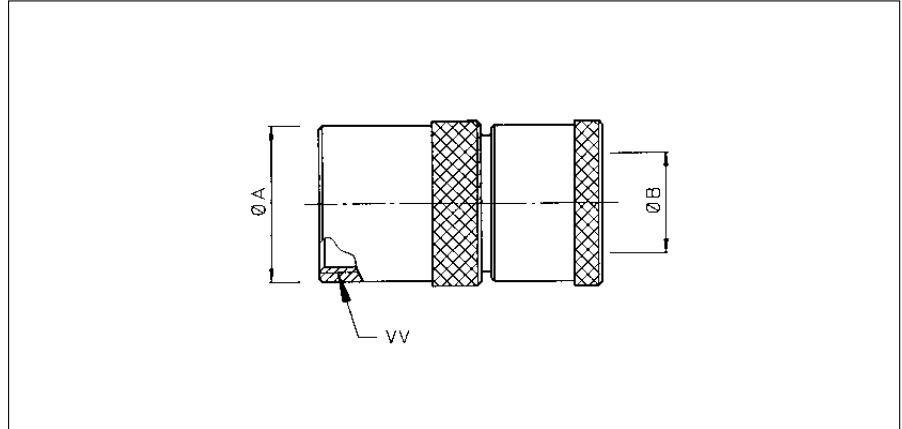
F – Strain Relief Clamp Termination



Part number	Shell size	Ø A	Ø B	C	VV - Thread UNEF
B10SRE	10	18,2	4,8	22,6	9/16-24
B12SRE	12	21,1	7,9	25,8	11/16-24
B14SRE	14	24,6	9,7	29,0	13/16-20
B16SRE	16	27,6	12,7	30,6	15/16-20
B18SRE	18	30,8	15,9	35,6	1 1/16-18
B20SRE	20	33,8	15,9	35,6	1 3/16-18
B20SRE	22	37,0	19,1	40,4	1 5/16-18
B24SRE	24	40,3	20,3	41,9	1 7/16-18

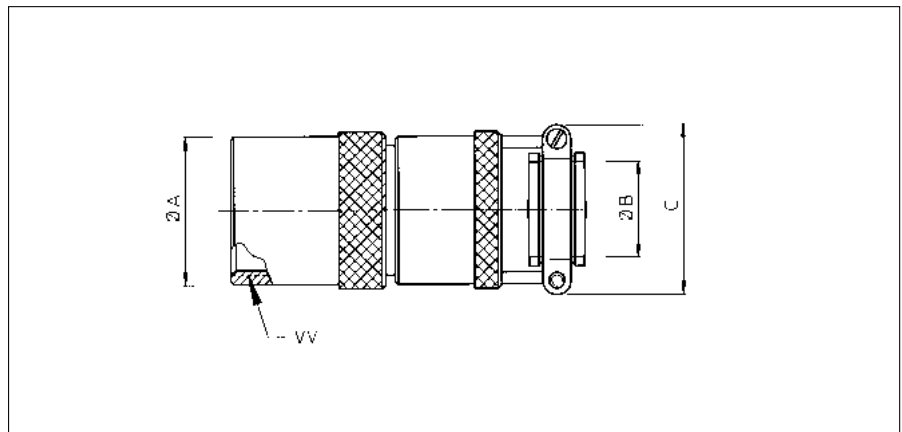


J – Gland Seal Termination



Part number	Shell size	Ø A	Ø max	VV - Thread UNEF
B10P442E	10	18.6	7.9	9/16-24
B12P442E	12	21.8	11.2	11/16-24
B14P164E	14	25.0	13.7	13/16-20
B16P164E	16	28.2	15.6	15/16-20
B18P164E	18	31.3	17.1	1 1/16-18
B20P164E	20	34.5	19.0	1 3/16-18
B22P164E	22	37.7	21.5	1 5/16-18
B24P164E	24	40.9	22.7	1 7/16-18

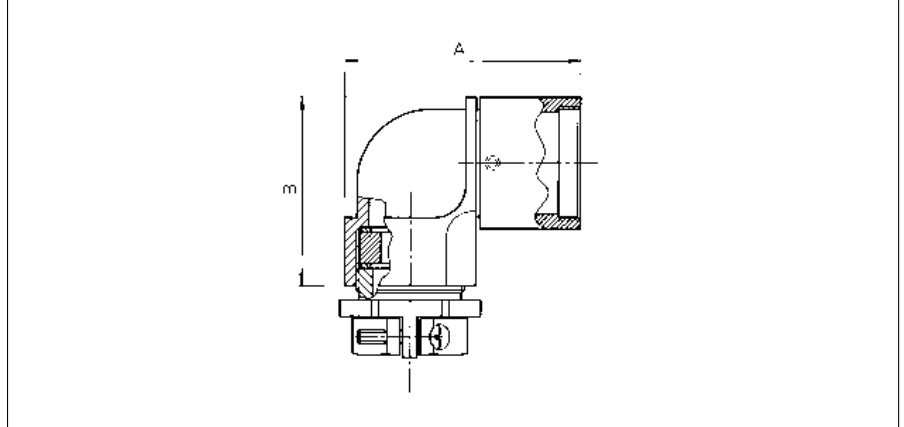
JF – Gland Seal Termination with Strain Relief



Part number	Shell size	Ø A	Ø B	C	VV - Thread UNEF
B10P443E	10	18.6	7.9	22.6	9/16-24
B12P443E	12	21.8	11.2	25.8	11/16-24
B14P184E	14	25.0	13.7	29.0	13/16-20
B16P184E	16	28.2	15.6	30.6	15/16-20
B18P184E	18	31.3	17.1	37.3	1 1/16-18
B20P184E	20	34.5	19.0	37.3	1 3/16-18
B20P184E	22	37.7	21.5	42.1	1 5/16-18
B24P184E	24	40.9	22.7	44.4	1 7/16-18

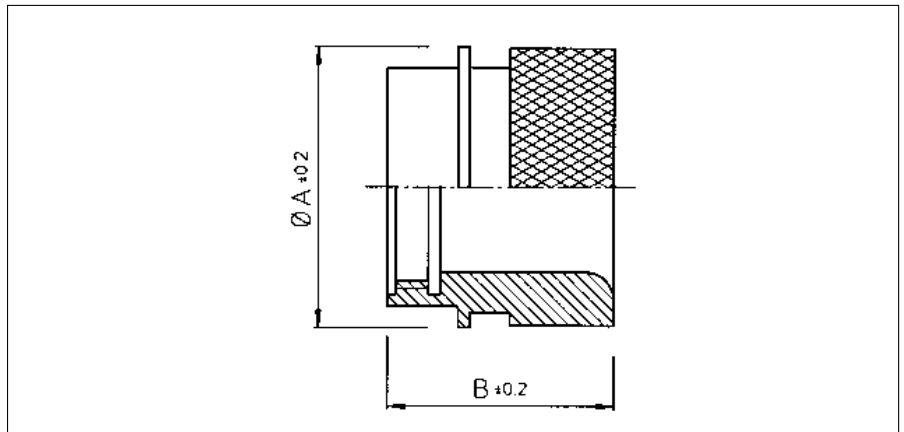


Metal right angle cable clamp with strain relief nut (UTO--LPGN)



Part number	Shell size	A max	B max	Cable range
UTO10LPGN	10	42.5	29.5	13.5 x 5 x 8
UTO12LPGN	12	43.5	31.5	16 x 7 x 10.5 x 13
UTO14LPGN	14	46.5	35.5	18.5 x 7 x 10.5 x 13 x 16
UTO16LPGN	16	53.0	39.5	20.5 x 8 x 10.5 x 13 x 16
UTO18LPGN	18	57.0	45.5	20.5 x 8 x 10.5 x 13 x 16
UTO20LPGN	20	58.0	46.5	26 x 11 x 15 x 18 x 22
UTO22LPGN	22	58.0	48.0	26 x 11 x 15 x 18 x 22
UTO24LPGN	24	67.0	54.0	35 x 19 x 23 x 27 x 31

Metal shrink boot adaptor (UTG--AD)



Part number	Shell size	Ø A +0.2	B
UTG10AD	10	21.0	19.2
UTG12AD	12	24.0	
UTG14AD	14	27.0	
UTG16AD	16	30.0	21.5
UTG18AD	18	33.3	22.8
UTG20AD	20	36.5	
UTG22AD	22	39.7	
UTG24AD	24	42.9	21.9

Standard plating is anodised black. For tin plating add "T" at the end of the part number e.g. UTG12ADT

X-ON Electronics

Largest Supplier of Electrical and Electronic Components

Click to view similar products for [Standard Circular Connector](#) category:

Click to view products by [Sunbank](#) manufacturer:

Other Similar products are found below :

[5M2530B10P](#) [600259N006](#) [600273N007](#) [6134-336-13149](#) [6134-337-11149](#) [6134-337-2390](#) [6134-341-17149](#) [6280-4SG-516](#) [6280-7SG-3DC](#)
[6290](#) [6291A](#) [66200A-10](#) [680-SMG](#) [681-PMG](#) [CXS3102A14S2P](#) [CXS3102A181S](#) [7271-6SG-300](#) [7282-3PG-300-CH3](#) [75-474014-05S](#) [75-](#)
[474618-01S](#) [75-474618-04P](#) [75-474618-04S](#) [799539-000](#) [MI8-SE](#) [805-005-07NF11-19PC](#) [805-005-07NF15-7PA](#) [8280-4PG-516](#) [8280-7PG-](#)
[519](#) [8282-5PG-519](#) [836783-1](#) [MP-4102-25P-C](#) [862256-1](#) [864019-2](#) [866857-1](#) [867865-1](#) [PT01SP-14-18P](#) [PT08P-14-5S](#) [120-1833-000](#)
[QCM019PC2DC012B](#) [1-2069279-1](#) [121583-0217](#) [121667-0020](#) [129591AU](#) [1000B BULK](#) [RD10A16-19-P6CS051/1](#) [RD10A20-31-](#)
[P8CS051/1](#) [RD16A14-12-S6CS051/2](#) [1301240290](#) [1301240347](#) [1301860202](#) [1301240268](#)