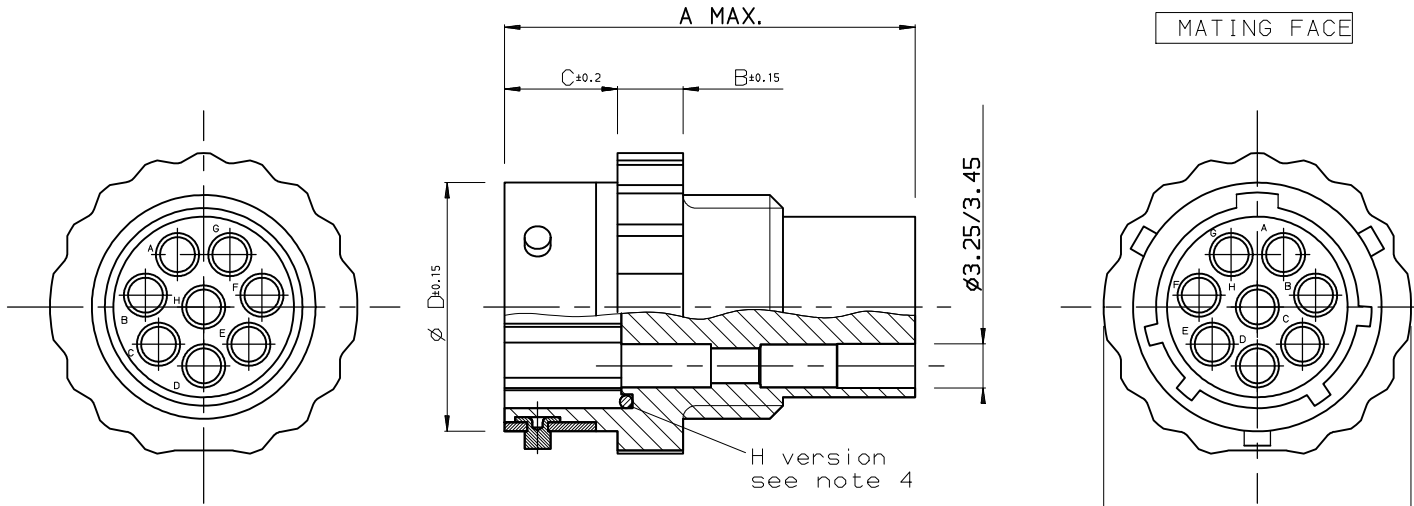


DIT IS ONZE EIGENDOM EN MAG NOCH NASEMAAKT, HERDRUKT, OVERGEMAAKT AAN DERDEN, NOCH VOOR FABRIKATIE GEBRUIKT WORDEN, ZONDER ONZE SCHRIFTELIJKE TOELATING. BIJ NIET GEBRUIK IS DE TERUGZENDING VERPLICHT.  
 THIS IS OUR EXCLUSIVE PROPERTY. IT IS NOT TO BE COPIED, REPRINTED OR DISCLOSED TO A THIRD PARTY, NOR USED FOR MANUFACTURING WITHOUT OUR WRITTEN CONSENT, AND HAS TO BE RETURNED TO US IN CASE OF NO USAGE

| REV.     | DATE     | DESCRIPTION                            | BY   | C'K'D' |
|----------|----------|--|------|--------|
| 03       | 10/03/99 | Temperature range -55C instead of -25C | K.N. |        |
| 04       | 09/11/05 | ADD SIZE 10-3 - ADD 3D VIEW            | R Ch |        |
| 05       | 21/01/10 | ADD O'SEAL ON THE SECTION VIEW         | R Ch |        |
| <b>A</b> | 30/10/13 | DELETE PART NUMBER UTG1103P(H)VDE      | R Ch |        |

WIRING FACE

MATING FACE



| CAT. NUMBER   | A MAX. | B±0.15 | C±0.2 | Ø D±0.15 | Ø E±0.15 |
|---------------|--------|--------|-------|----------|----------|
| UTG1104P (H)  | 31.7   | 5.0    | 8.65  | 15.0     | 19.5     |
| UTG1125P (H)  | 31.7   | 5.0    | 8.65  | 19.0     | 23.5     |
| UTG1128P (H)  | 31.7   | 5.0    | 8.65  | 19.0     | 23.5     |
| UTG11412P (H) | 31.7   | 5.0    | 8.65  | 22.2     | 27.0     |
| UTG11619P (H) | 31.7   | 5.0    | 8.65  | 25.3     | 30.0     |
| UTG11823P (H) | 31.7   | 5.0    | 8.65  | 28.5     | 33.3     |
| UTG12028P (H) | 33.3   | 5.0    | 12.05 | 31.7     | 36.5     |
| UTG12235P (H) | 33.3   | 5.0    | 12.05 | 34.9     | 39.7     |
| UTG12448P (H) | 33.3   | 5.0    | 13.85 | 38.0     | 42.5     |
| * NOTE 4      |        |        |       |          |          |

UTG1128P AS SHOWN

**MATERIAL**

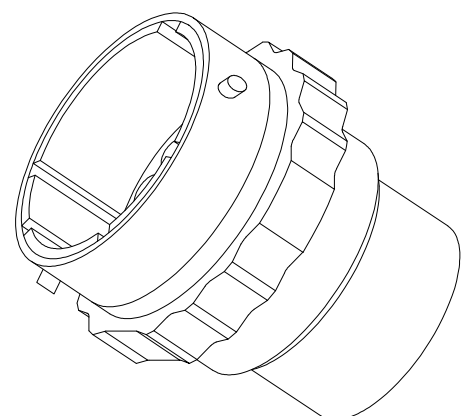
- BODY : GLASS-FILLED POLYESTER UL94-V0  
COLOUR : BLACK.
- TRILOK RING : HIGH STRENGTH CuZn ALLOY,  
NICKEL PLATED.

**PERFORMANCE CHARACTERISTICS**

- OPERATING TEMPERATURE : -55°C to +125°C
- INSULATION RESISTANCE : 5000 M Ohm MIN.
- TEST POTENTIAL : 2000 V EFF.

**NOTES**

- CONNECTOR ACCEPTS # 16 STRIP FORMED PIN, MACHINED PIN AND SUBMINIATURE COAXIAL PIN AND SOCKET CONTACTS.
- CONTACTS TO BE ORDERED SEPARATELY : REFER TO TRIM - TRIO CATALOG.
- FOR OTHER INSERT ARRANGEMENTS SEE BS,C , 201458,000
- FOR WATERPROTECTED VERSION: ADD "H" TO THE CAT.NO. E.G. CAT.NO.: UTG1128PH



|          |    |    |    |    |    |    |    |    |    |    |    |    |    |    |    |    |    |    |    |    |    |    |    |    |    |    |    |    |    |    |    |
|----------|----|----|----|----|----|----|----|----|----|----|----|----|----|----|----|----|----|----|----|----|----|----|----|----|----|----|----|----|----|----|----|
| GEN. ST. | 01 | 02 | 03 | 04 | 05 | 06 | 07 | 08 | 0D | 50 | 60 | 70 | 80 | 90 |    |    |    |    |    |    |    |    |    |    |    |    |    |    |    |    |    |
| INT. ST. | 10 | 11 | 12 | 13 | 14 | 18 | 20 | 31 | 32 | 33 | 34 | 38 | 39 | 40 | 42 | 43 | 44 | 45 | 46 | 48 | 56 | 70 | 72 | 73 | 75 | 76 | 81 | 82 | 83 | 84 | 88 |

|   |              |             |              |   |
|---|--------------|-------------|--------------|---|
| 1DEC ±0,2 1DEC<br>2DEC ±0,1 2DEC<br>ANGLES ±1° HOEKEN                           | <b>APPR.</b> | <b>DATE</b> | <b>SIGN.</b> | <b>MALE RECEPTACLE FREE HANGING</b><br><br><b>CAT.N°.</b> UTG1----P (H) |
|   | DRAFT        | 7-6-91      | M BUEDS      |   |
| WE RESERVE THE RIGHT TO CHANGE DIMENSIONS OR REQUIREMENTS WITHOUT PRIOR NOTICE. | CHECKED      |             |              | <b>SOURIAU</b> Route Nationale 23<br>72470 CHAMPAGNE                    |
|   | PROD. MGR.   |             |              |   |
|   | PR.ENG.MGR.  |             |              |   |
| ALL DIMENSIONS IN MM<br>  | PR.MGT.MGR.  |             |              | <b>SCALE</b><br>BS-A-201458-005<br>DRAWING NR. CUSTOMER DRAWING         |

**REFERENCES**

NOT EXPORT CONTROLLED

## X-ON Electronics

Largest Supplier of Electrical and Electronic Components

*Click to view similar products for [Standard Circular Connector](#) category:*

*Click to view products by [Sunbank](#) manufacturer:*

Other Similar products are found below :

[5M2530B10P](#) [600259N006](#) [600273N007](#) [6134-336-13149](#) [6134-337-11149](#) [6134-337-2390](#) [6134-341-17149](#) [6280-4SG-516](#) [6280-7SG-3DC](#)  
[6290](#) [6291A](#) [66200A-10](#) [680-SMG](#) [681-PMG](#) [CXS3102A14S2P](#) [CXS3102A181S](#) [7271-6SG-300](#) [7282-3PG-300-CH3](#) [75-474014-05S](#) [75-](#)  
[474618-01S](#) [75-474618-04P](#) [75-474618-04S](#) [799539-000](#) [MI8-SE](#) [805-005-07NF11-19PC](#) [805-005-07NF15-7PA](#) [8280-4PG-516](#) [8280-7PG-](#)  
[519](#) [8282-5PG-519](#) [836783-1](#) [MP-4102-25P-C](#) [862256-1](#) [864019-2](#) [866857-1](#) [867865-1](#) [PT01SP-14-18P](#) [PT08P-14-5S](#) [120-1833-000](#)  
[QCM019PC2DC012B](#) [1-2069279-1](#) [121583-0217](#) [121667-0020](#) [129591AU](#) [1000B BULK](#) [RD10A16-19-P6CS051/1](#) [RD10A20-31-](#)  
[P8CS051/1](#) [RD16A14-12-S6CS051/2](#) [1301240290](#) [1301240347](#) [1301860202](#) [1301240268](#)