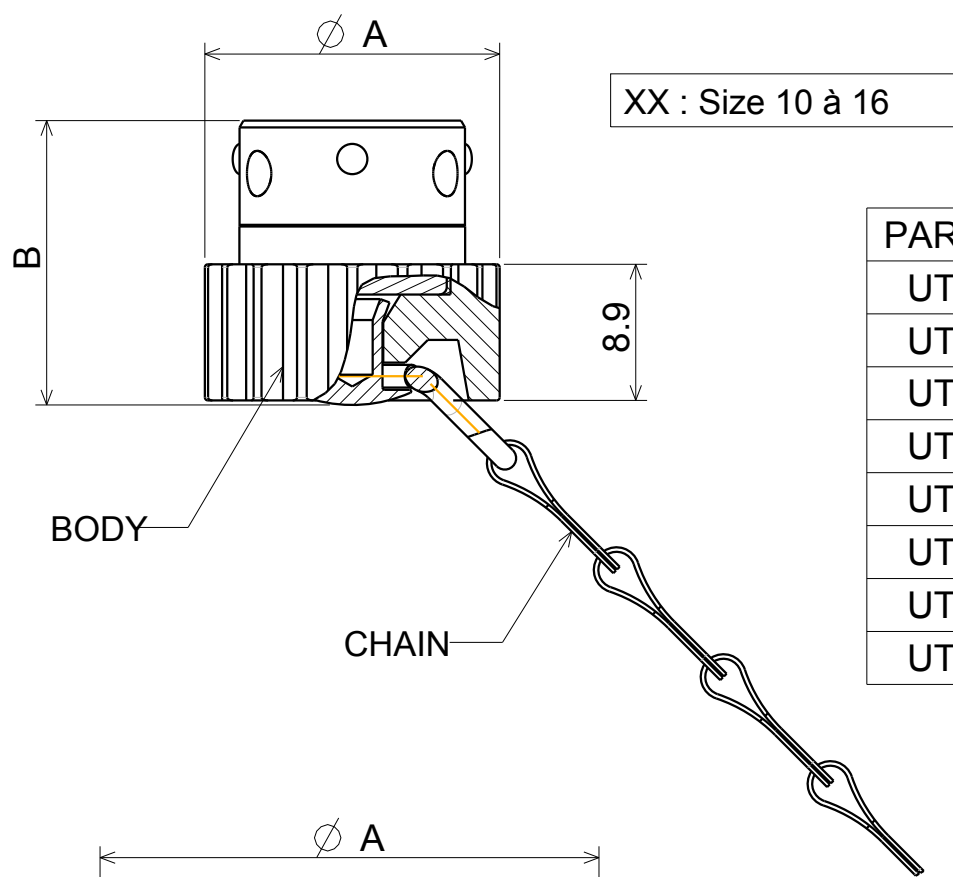


a; 0; RL

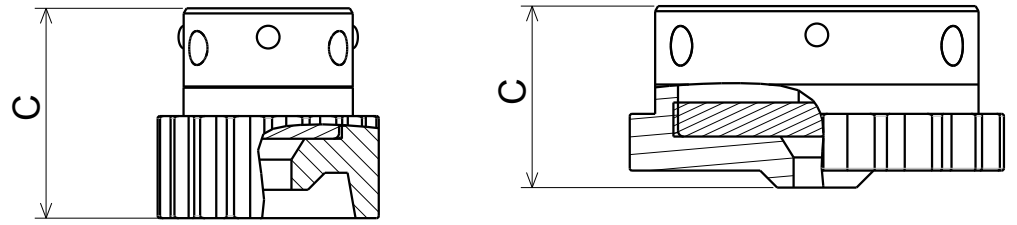
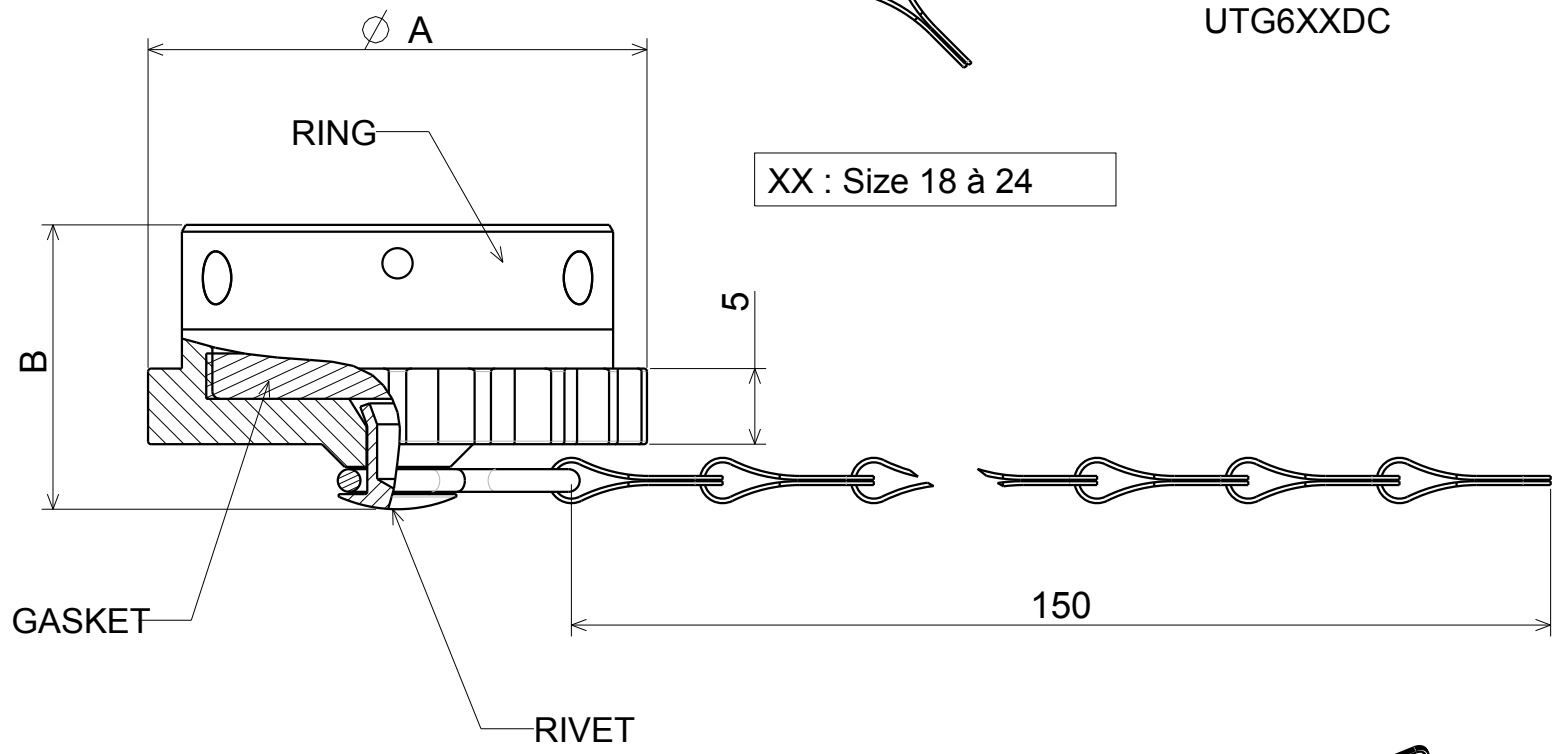


PART NUMBER	∅ A	B max	C
UTG610DCG	19.5	19	18.5
UTG612DCG	23.5	19	18.5
UTG614DCG	27	19	18.5
UTG616DCG	30	19	18.5
UTG618DCG	33	19	16
UTG620DCG	36.5	20.6	17.6
UTG622DCG	39.5	20.6	17.6
UTG624DCG	42.5	20.6	17.6

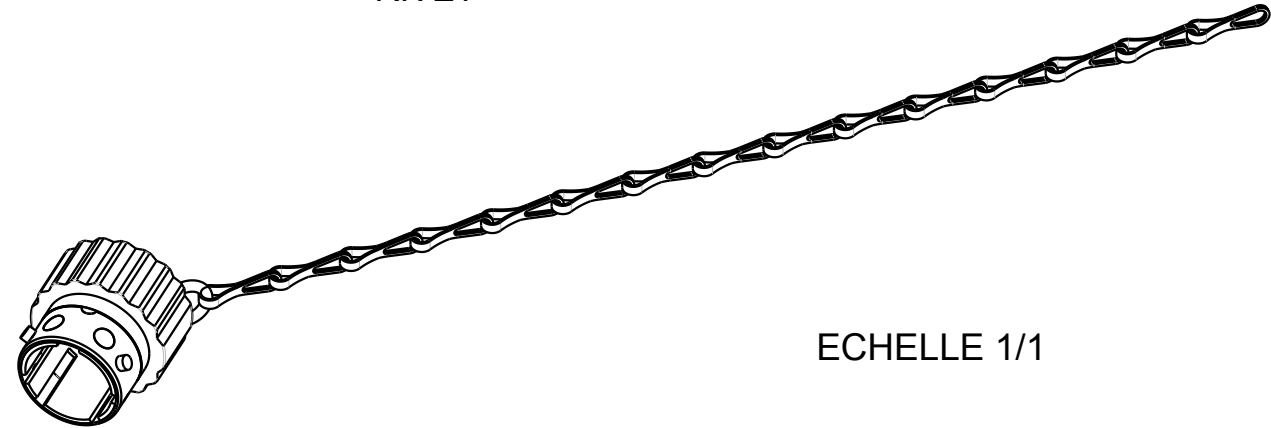
Or without chain
UTG6XXDC

MATERIAL:
 Body : Glass filled polyester
 Ring : CuZn Alloy Ni plated
 Gasket : Rubber elastomer
 Chain : Brass Ni plated
 Rivet : Brass Ni plated
NOTES :
 -Operating temperature : -40° up to +70°
 -This cap is a water and dust protected version.
 -Level sealing : IP65

NOTE :
 - UTG6XXDCG : with chain
 - UTG6XXDC : without chain



P/N : UTG6XXDCG / UTG6XXDC



ECHELLE 1/1

a	27/08/13	Creation of new drawing	
		Modification of cap design for size 10-12-14-16	--
ISS	DATE	Latest modification - by:	MOD N°
Designed by: ROUILLARD		Date: 27/08/13	CUSTOMER DRAWING
TITLE		CAP FOR PLUG UTG6**DCG / UTG6**DC	
Scale	2/1	General linear Tolerances: ± 0.3	NPRDS / PROJECT TRIMTRIO
SOURIAU		WWW.SOURIAU.COM	
This document is the property of SOURIAU It must not be reproduced or communicated without permission			
FORMAT	SOURIAU DRG N° UTG6XXDCG-C01		SHEET 1/1

NOT EXPORT CONTROLLED

X-ON Electronics

Largest Supplier of Electrical and Electronic Components

Click to view similar products for [Standard Circular Connector](#) category:

Click to view products by [Sunbank](#) manufacturer:

Other Similar products are found below :

[5M2530B10P](#) [600259N006](#) [600273N007](#) [6134-336-13149](#) [6134-337-11149](#) [6134-337-2390](#) [6134-341-17149](#) [6280-4SG-516](#) [6280-7SG-3DC](#)
[6290](#) [6291A](#) [66200A-10](#) [680-SMG](#) [681-PMG](#) [CXS3102A14S2P](#) [CXS3102A181S](#) [7271-6SG-300](#) [7282-3PG-300-CH3](#) [75-474014-05S](#) [75-](#)
[474618-01S](#) [75-474618-04P](#) [75-474618-04S](#) [799539-000](#) [MI8-SE](#) [805-005-07NF11-19PC](#) [805-005-07NF15-7PA](#) [8280-4PG-516](#) [8280-7PG-](#)
[519](#) [8282-5PG-519](#) [836783-1](#) [MP-4102-25P-C](#) [862256-1](#) [864019-2](#) [866857-1](#) [867865-1](#) [PT01SP-14-18P](#) [PT08P-14-5S](#) [120-1833-000](#)
[QCM019PC2DC012B](#) [1-2069279-1](#) [121583-0217](#) [121667-0020](#) [129591AU](#) [1000B BULK](#) [RD10A16-19-P6CS051/1](#) [RD10A20-31-](#)
[P8CS051/1](#) [RD16A14-12-S6CS051/2](#) [1301240290](#) [1301240347](#) [1301860202](#) [1301240268](#)