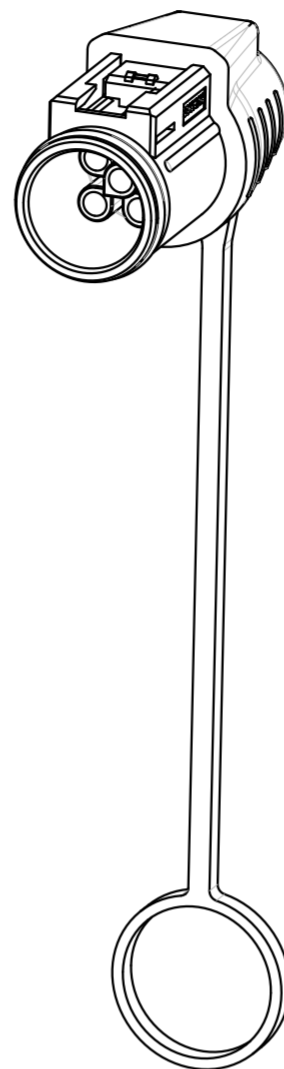
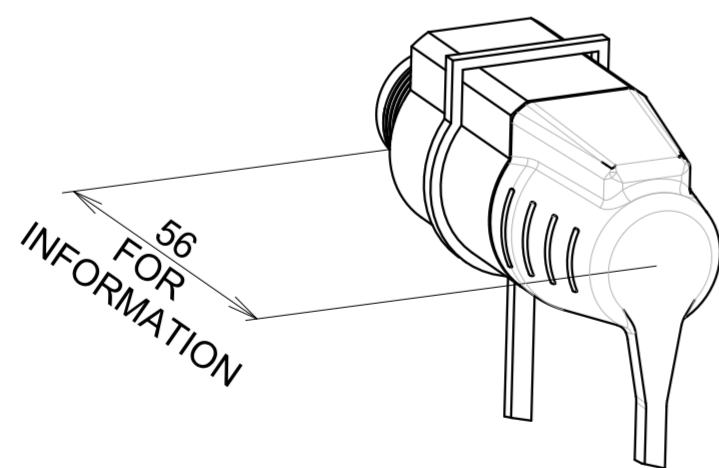


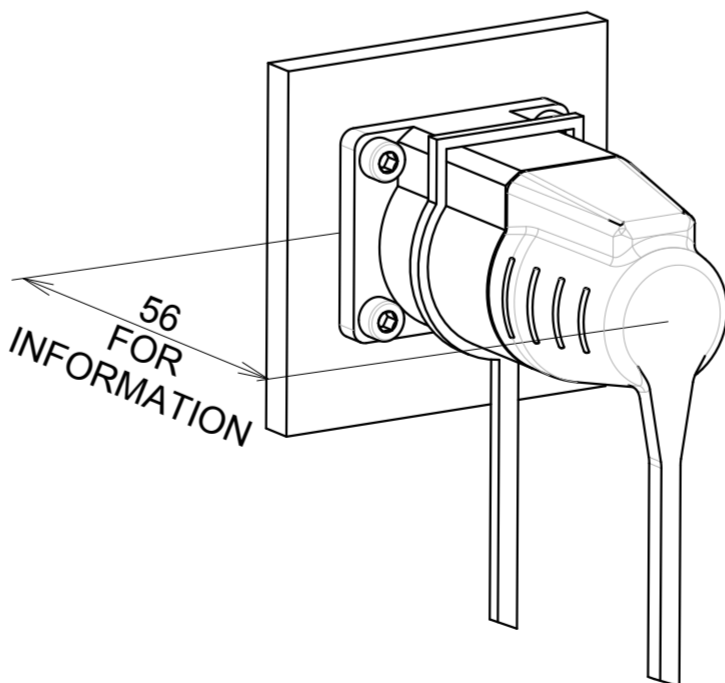
FOR MALE RECEPTACLE
P/N : UTL103G1PDCG68



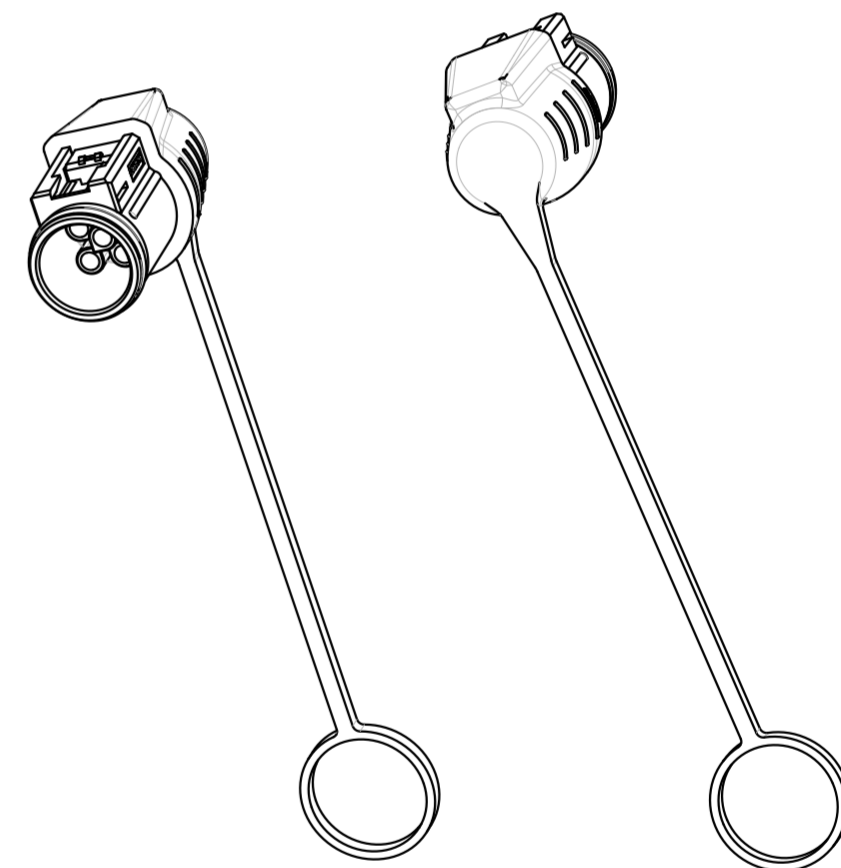
FOR FEMALE RECEPTACLE
P/N : UTL103G1SDCG68



VIEW IN MATED CONDITIONS
WITH TYPE 1/ TYPE 7 RECEPTACLE



VIEW IN MATED CONDITIONS
WITH TYPE 0 RECEPTACLE



P/N : SEE VIEW

MATERIAL :

CONNECTOR SHELL : POLYAMID GLASS REINFORCED, BLACK COLOR
REAR LINK : EPDM
O'RING : LUBRICATED SILICONE
SEALS : SILICONE

PERFORMANCE CHARACTERISTICS :

MECHANICAL

TEMPERATURE CLASS	IEC61984/UL1977	-40°C TO 105°C
DURABILITY	IEC61984	500 MATE / UNMATE CYCLES
SEALING IN MATED CONDITIONS	IEC60529	IP68 1BAR DURING 1WEEK
CORROSION SALT SPRAY	DIN40050	IP69K MIN 1000H

ROHS COMPLIANT

UNIT IN MM

a	28/01/2013	First issue	
ISS	DATE	Latest modification - by:	MOD N°
Designed by: R. M.		Date: 28/01/2013	CUSTOMER DRAWING
TITLE		IP68 LEVEL CAP FOR UTL RECEPTACLE UTL CONNECTOR	
Scale	1/1	General linear Tolerances: ± 0.3	NPRDS / PROJECT UTL
SOURIAU		WWW.SOURIAU.COM	
		This document is the property of SOURIAU It must not be reproduced or communicated without permission	
FORMAT	SOURIAU DRG N°		SHEET
A2	UTL1-0044A-C01		1/1

X-ON Electronics

Largest Supplier of Electrical and Electronic Components

Click to view similar products for [Standard Circular Connector](#) category:

Click to view products by [Sunbank](#) manufacturer:

Other Similar products are found below :

[5M2530B10P](#) [600259N006](#) [600273N007](#) [6134-336-13149](#) [6134-337-11149](#) [6134-337-2390](#) [6134-341-17149](#) [6280-4SG-516](#) [6280-7SG-3DC](#)
[6290](#) [6291A](#) [66200A-10](#) [680-SMG](#) [681-PMG](#) [CXS3102A14S2P](#) [CXS3102A181S](#) [7251-5SG-300](#) [7271-6SG-300](#) [7282-3PG-300-CH3](#) [75-](#)
[474618-01S](#) [75-474618-04P](#) [75-474618-04S](#) [799539-000](#) [MI8-SE](#) [805-005-07NF11-19PC](#) [805-005-07NF15-7PA](#) [8280-4PG-516](#) [8280-7PG-](#)
[519](#) [8282-5PG-519](#) [836783-1](#) [MP-4102-25P-C](#) [862256-1](#) [864019-2](#) [866857-1](#) [867865-1](#) [PT01SP-14-18P](#) [PT08P-14-5S](#) [PTSF06SE-14-12S](#)
[120-1833-000](#) [QCM019PC2DC012B](#) [1-2069279-1](#) [121583-0217](#) [121667-0020](#) [129591AU](#) [1000B BULK](#) [RD10A16-19-P6CS051/1](#)
[RD10A20-31-P8CS051/1](#) [RD16A14-12-S6CS051/2](#) [1301240290](#) [1301240347](#) [1301860202](#)