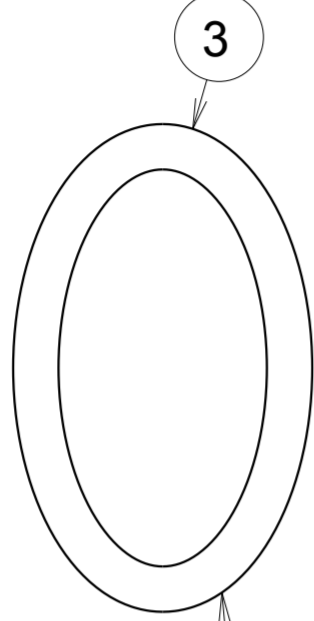
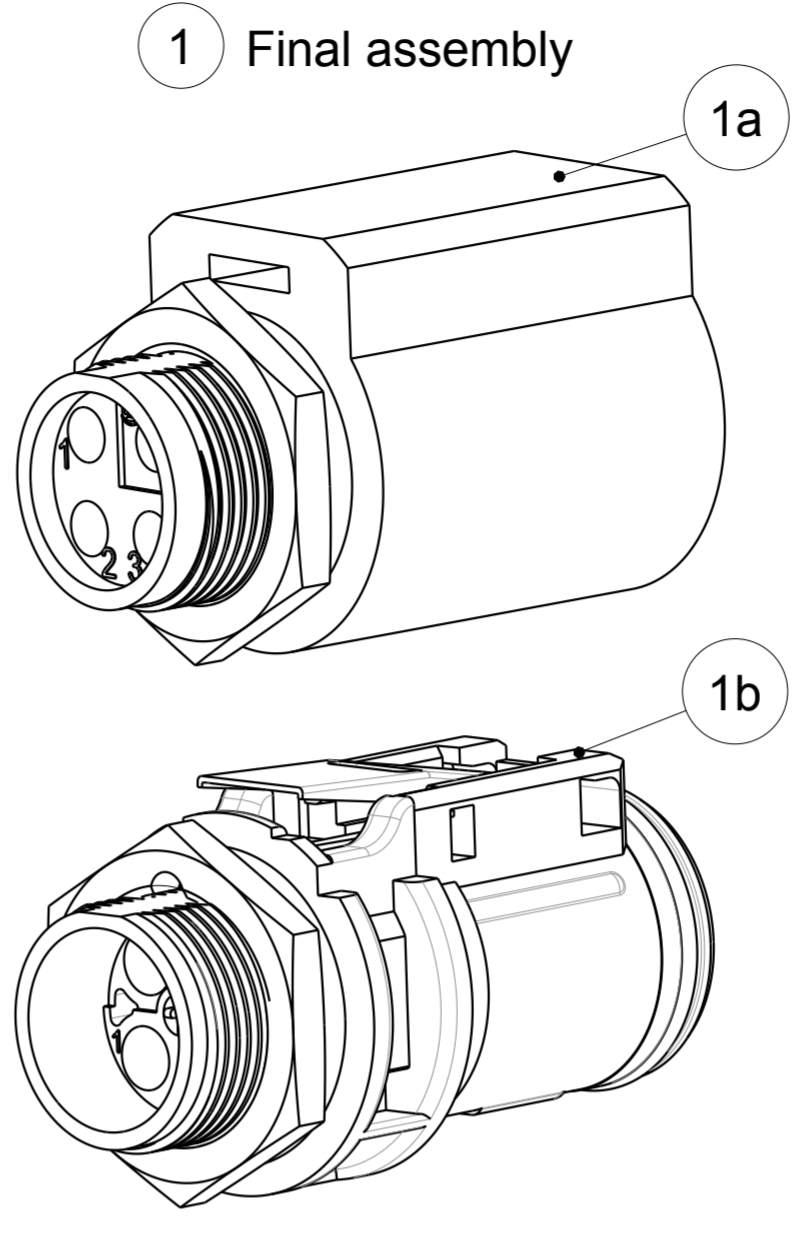
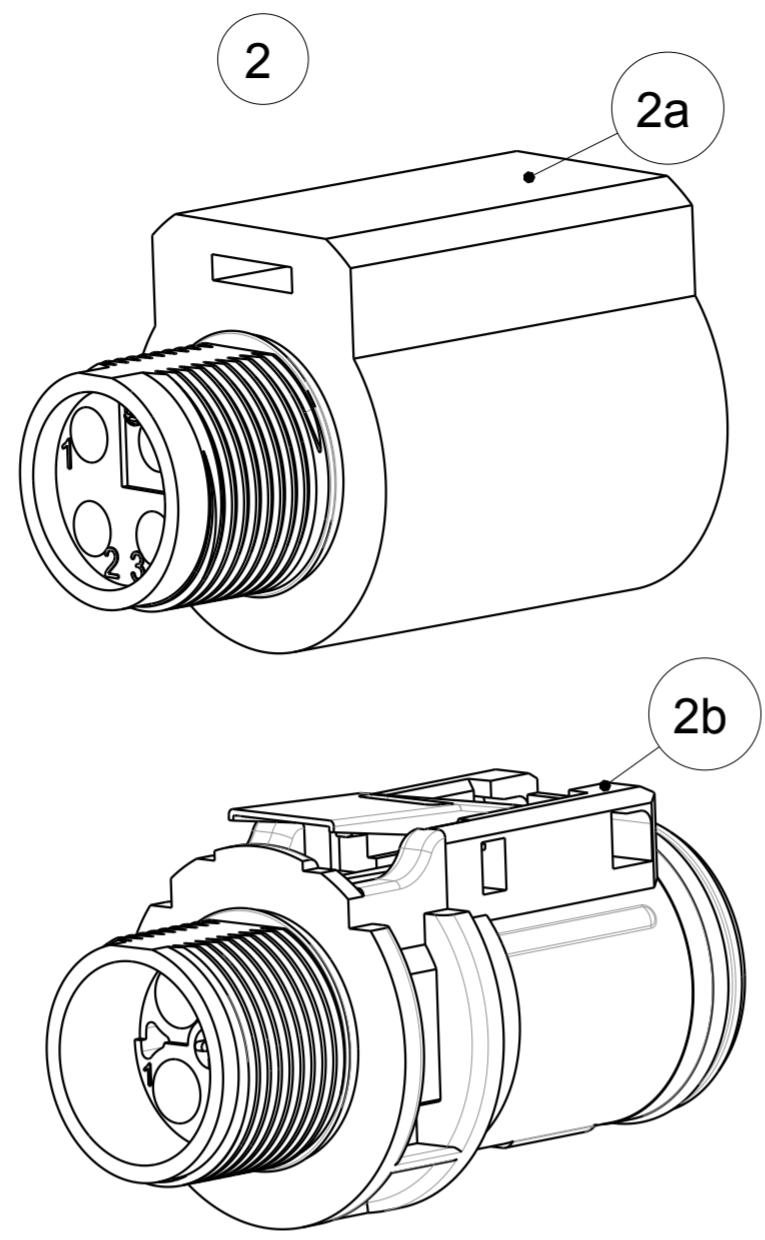


Nut
Material : Al alloy
Black anodized



O'Ring
Material : NBR, Black color
Dimension : $\varnothing 17 \text{ mm} \times \varnothing 2 \text{ mm}$



PART NUMBER TABLE

① Final assembly		② Connector		③ O'Ring	④ Nut
①a	UTL7103G1P(03)	②a	UTL1103G1P(03)(B)	UTL10SEAL	UTL10NUT
	UTL7103G1S(03)		UTL1103G1S(03)(B)		
①b	UTL5103G1P	②b	UTL6TH103G1P(B)		
	UTL5103G1S		UTL6TH103G1S(B)		

- ② ③ ④ have to be ordered separately
- ③ and ④ are packed by 1000 pieces per bag
- For more details please refer to relevant drawing of ① and ②
- For ordering in bulk packaging, without nut and screw, refer to UTL*B

Country	Jurisdiction & Control List
FR	NOT LISTED

P/N : SEE TABLE

D	11/04/2018	(B) added to allow bulk packaged connector shipping	24928
ISS	DATE	Latest modification - by: COURTOIS L.	MOD N°
Designed by: COURTOIS L.		Date: 13/11/2017	CUSTOMER DRAWING
TITLE		UTL assembly accessories for panel mounting	
Scale		SIZE 10	
2/1		General linear Tolerances: ± 0.1	NPRDS / PROJECT IC173802A
SOURIAU		WWW.SOURIAU.COM	
FORMAT		This document is the property of SOURIAU. It must not be reproduced or communicated without permission.	
A2	SOURIAU DRG N° UTL1-0105A-C		SHEET 1/1

SOURIAU shall not be liable for any non-conformity or damage due to a use of the Products which does not comply with the Specifications issued by either of the Parties or by a third party (professional recommendation, technical notice.)

X-ON Electronics

Largest Supplier of Electrical and Electronic Components

Click to view similar products for [Standard Circular Connector](#) category:

Click to view products by [Sunbank](#) manufacturer:

Other Similar products are found below :

[5M2530B10P](#) [600259N006](#) [600273N007](#) [6134-336-13149](#) [6134-337-11149](#) [6134-337-2390](#) [6134-341-17149](#) [6280-4SG-516](#) [6280-7SG-3DC](#)
[6290](#) [6291A](#) [66200A-10](#) [680-SMG](#) [681-PMG](#) [CXS3102A14S2P](#) [CXS3102A181S](#) [7271-6SG-300](#) [7282-3PG-300-CH3](#) [75-474014-05S](#) [75-](#)
[474618-01S](#) [75-474618-04P](#) [75-474618-04S](#) [799539-000](#) [MI8-SE](#) [805-005-07NF11-19PC](#) [805-005-07NF15-7PA](#) [8280-4PG-516](#) [8280-7PG-](#)
[519](#) [8282-5PG-519](#) [836783-1](#) [MP-4102-25P-C](#) [862256-1](#) [864019-2](#) [866857-1](#) [867865-1](#) [PT01SP-14-18P](#) [PT08P-14-5S](#) [120-1833-000](#)
[QCM019PC2DC012B](#) [1-2069279-1](#) [121583-0217](#) [121667-0020](#) [129591AU](#) [1000B BULK](#) [RD10A16-19-P6CS051/1](#) [RD10A20-31-](#)
[P8CS051/1](#) [RD16A14-12-S6CS051/2](#) [1301240290](#) [1301240347](#) [1301860202](#) [1301240268](#)