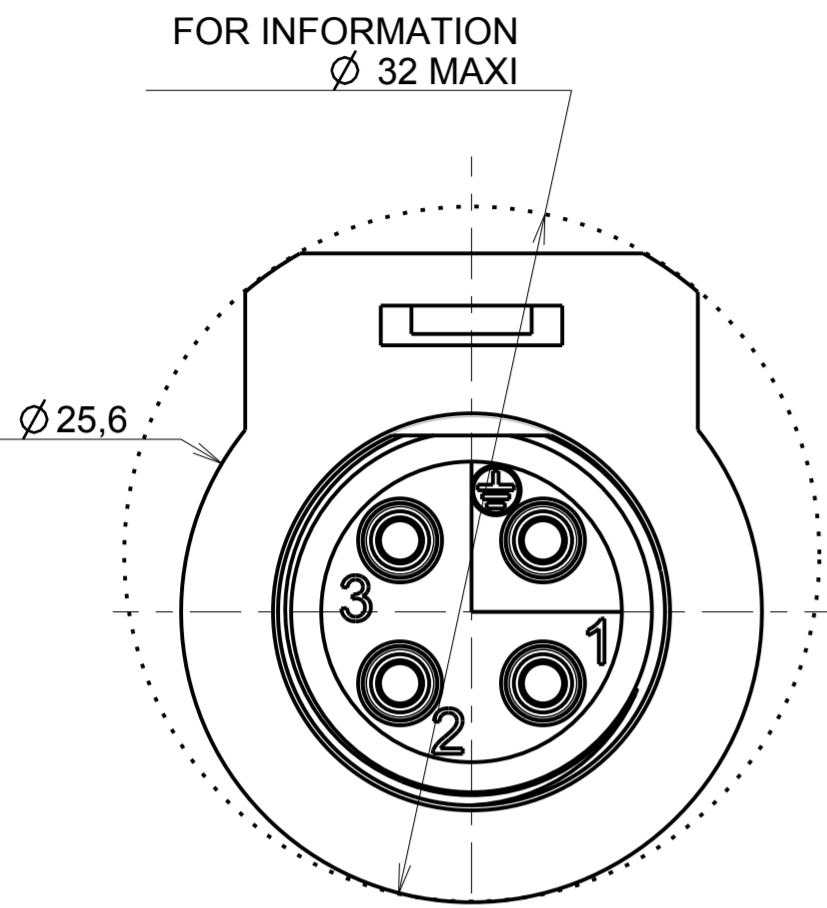
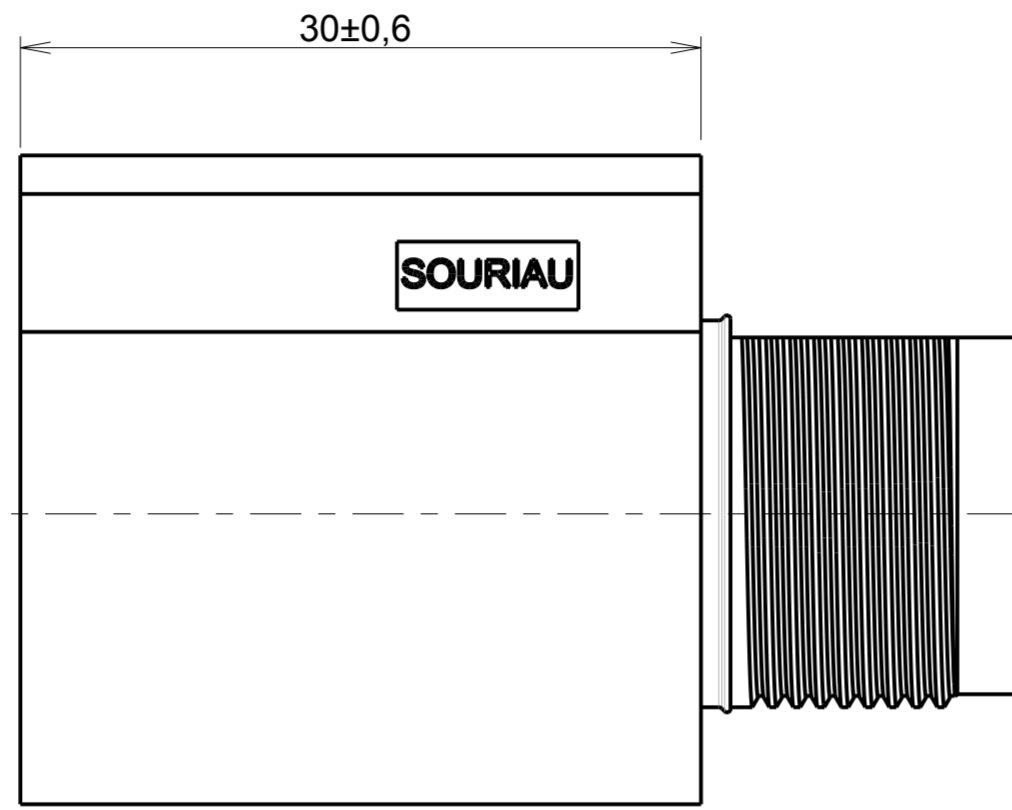
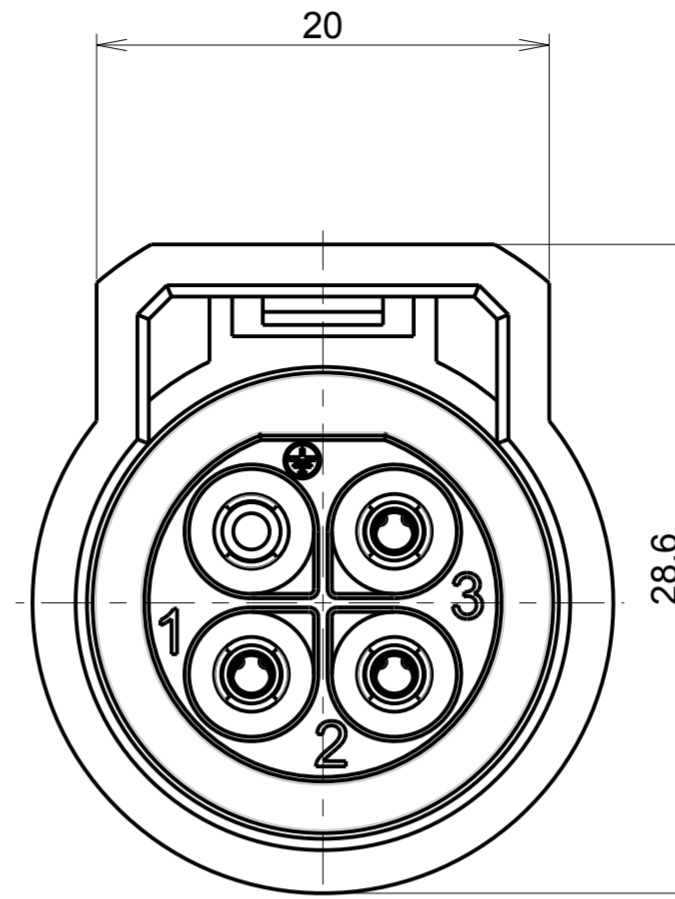


C:1:RL

WIRING FACE



MATING FACE



NOTES

MATERIALS
SHELL

SEE TABLE

PERFORMANCES CHARACTERISTICS
MECHANICAL

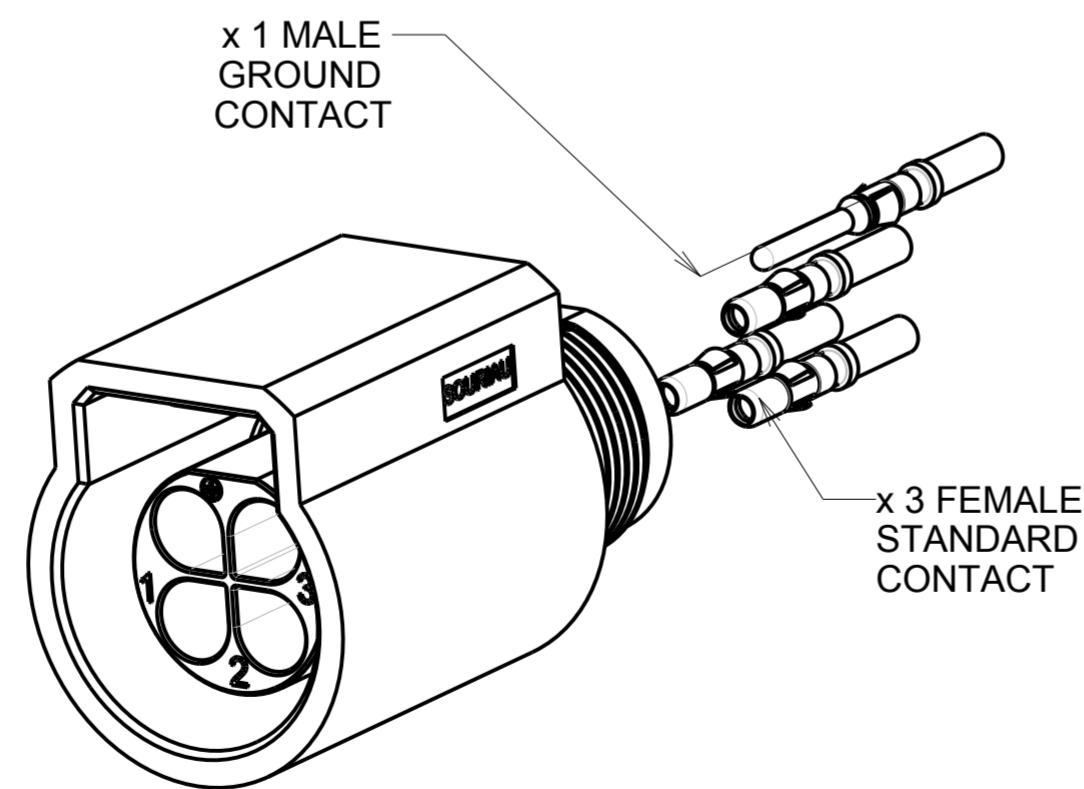
TEMPERATURE CLASS	IEC61984/UL1977	-40°C TO 105°C
DURABILITY	IEC61984	500 MATE / UNMATE CYCLES
SEALING IN MATED CONDITIONS	IEC60529 DIN40050	IP68 1BAR DURING 1WEEK IP69K
SEALING IN UNMATED CONDITIONS	IEC60529	IP67 WITH CAPS
OPEN FACE SEALING	IEC60529	IP67 WITH R*M25* CONTACTS
POLLUTION DEGREE	IEC61984	4
CORROSION SALT SPRAY		MIN 1000H
FLAMMABILITY	UL94	MATERIAL RATING: 5VA
OUTDOOR SUITABILITY (UV RESIST)	UL746C	MATERIAL RATING: (f1)
SCOOP PROOF		

ELECTRICAL

TOUCH PROOF	IEC60529	IP2X
NOMINAL CURRENT	UL1977	16A WITH AWG14 WIRE / 13A WITH AWG16 WIRE
NOMINAL CURRENT	IEC61984	16A WITH 2.5MM² WIRE / 13A WITH 1.5MM² WIRE AT 60°C
NOMINAL VOLTAGE	UL1977	600V
NOMINAL VOLTAGE	IEC61984	250VAC 4KV 4 FOR CLASS II
	IEC61984	500VAC 6KV 4 FOR CLASS I
CONNECTOR BREAKING CAPACITY	UL1977	277V 13A WITH AWG14/16 WIRES
	IEC61984	250VAC 13A 4KV 4

ROHS COMPLIANT

- COUNTERPART REFERENCE UTL PLUG
- CONNECTORS ARE DELIVERED AS PRE-ASSEMBLED KIT
- CONNECTOR BLOCKS ACCEPTS TRIM TRIO CONTACTS #16, R*M* OR S*M* TYPES
- CONTACTS TO BE ORDERED SEPARATELY.
- WARNING: PHASE CONTACTS ARE FEMALE VERSION AND GROUND CONTACT IS MALE VERSION
- UNIT IN MM



P/N	SHELL' S MATERIAL
UTL1103G1S	POLYAMID GLASS REINFORCED BLACK COLOR
UTL1103G1S03	POLYAMID GLASS REINFORCED LIGHT GREY COLOR

P/N : SEE TABLE

C	19/11/12	Change part number customer drawing	22725
ISS	DATE	Latest modification - by: RIOUX.B	MOD N°
Designed by: RAGINE M.		Date: 25/01/12	CUSTOMER DRAWING
TITLE		FEMALE FREE HANGING SIZE 10 UTL CONNECTOR	
Scale	1/1	General linear Tolerances: ± 0,3	NPRDS / PROJECT UTL
		WWW.SOURIAU.COM	This document is the property of SOURIAU It must not be reproduced or communicated without permission
FORMAT	A2	SOURIAU DRG N° UTL1-0014A-C01	SHEET 1/1

NOT EXPORT CONTROLLED

X-ON Electronics

Largest Supplier of Electrical and Electronic Components

Click to view similar products for [Standard Circular Connector](#) category:

Click to view products by [Sunbank](#) manufacturer:

Other Similar products are found below :

[C015](#) [10F006](#) [001](#) [1](#) [5M2530B10P](#) [600247N007](#) [600259N006](#) [600273N007](#) [600432N009](#) [6280-2PG-519](#) [6280-3PG-311](#) [6280-3SG-311](#)
[6280-7SG-3DC](#) [6280-7SG-522](#) [6282-5PG-311](#) [6282-6PG-519](#) [6282-8SG-311](#) [6283-11](#) [6283-15](#) [6290](#) [6293](#) [6382-2PG-311](#) [6382-2PG-3DC](#)
[6382-2SG-321](#) [6382-2SG-3DC](#) [6382-4SG-516](#) [67-03E20-37P](#) [681-PMG](#) [CXS3102A14S2P](#) [CXS3102A181S](#) [CXS3106A14S6S](#) [MB12P-1](#)
[MB12R-6](#) [7251-2PG-300](#) [7251-2SG-300](#) [7251-4PG-300](#) [7251-4SG-300](#) [7251-5PG-300](#) [7251-5SG-300](#) [7251-6SG-300](#) [7251-7PG-300](#) [7251-](#)
[8PG-300](#) [7271-6SG-300](#) [7282-3PG-300-CH3](#) [73000005663](#) [75-190011-03P](#) [75-190216-08S](#) [75-190218-10P](#) [75-214636-52P](#) [75-474118-10P](#)
[75-474211-03P](#) [75-474218-19S](#) [75-474618-01S](#)