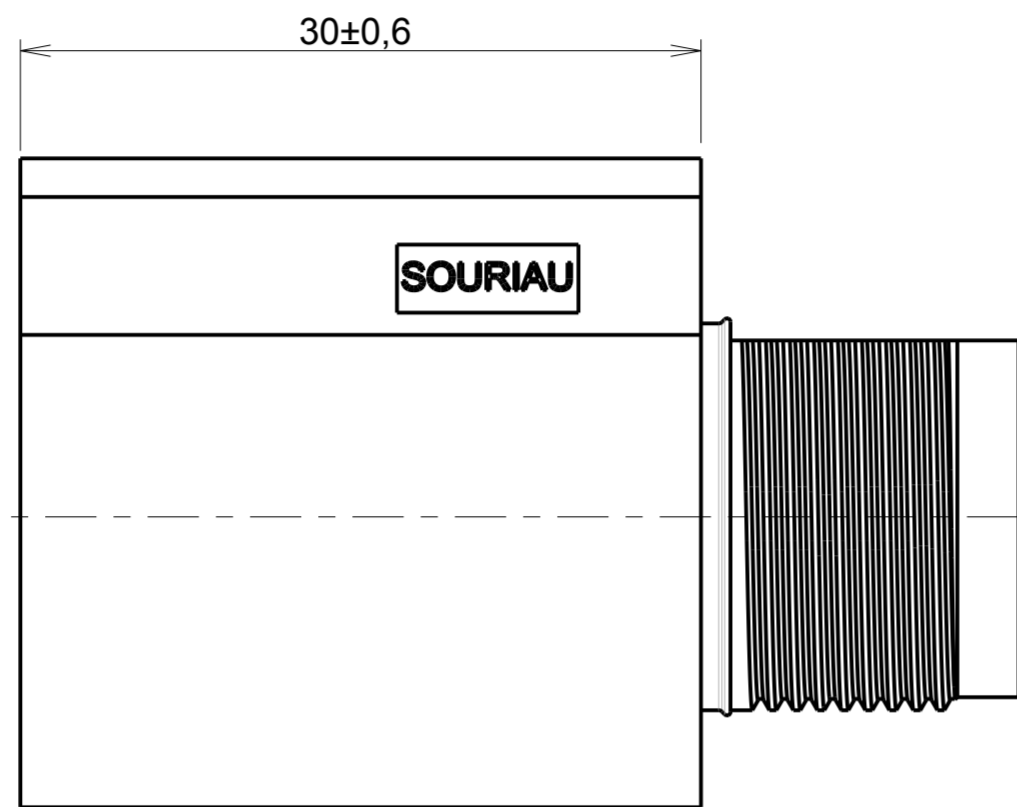
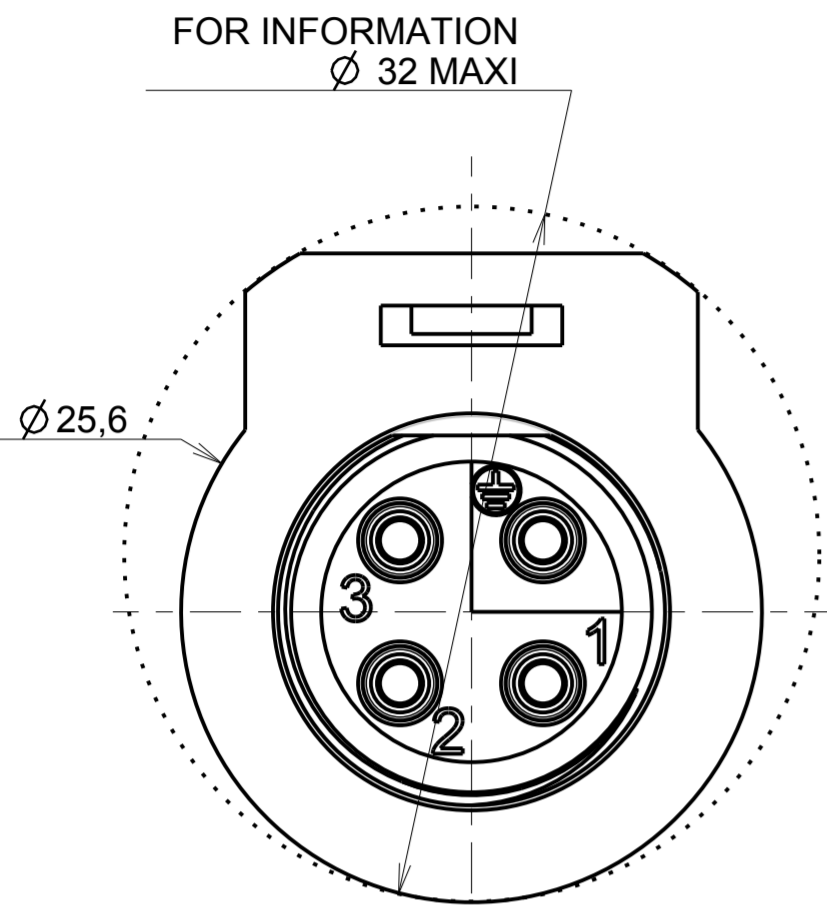
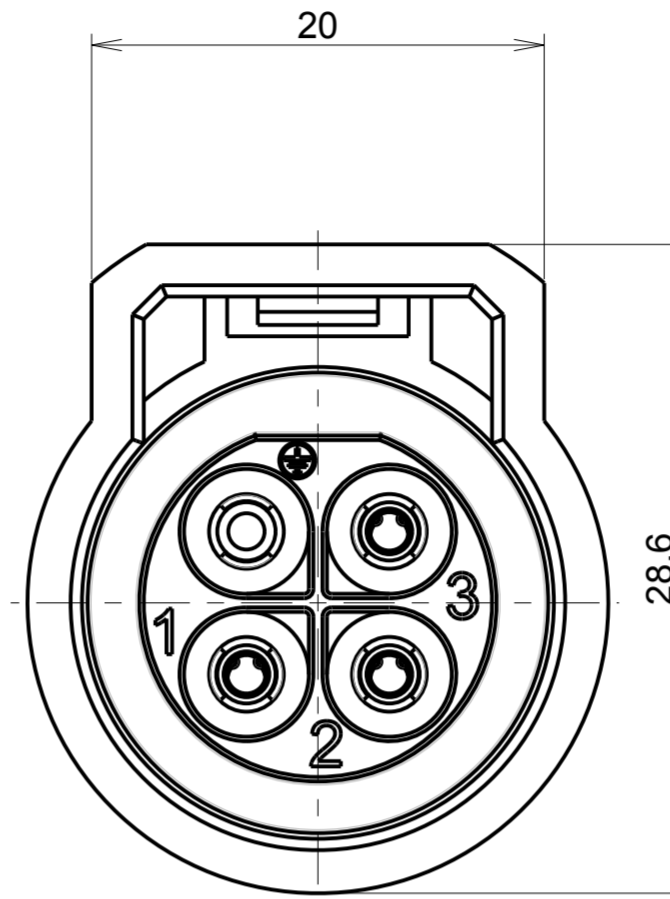


WIRING FACE

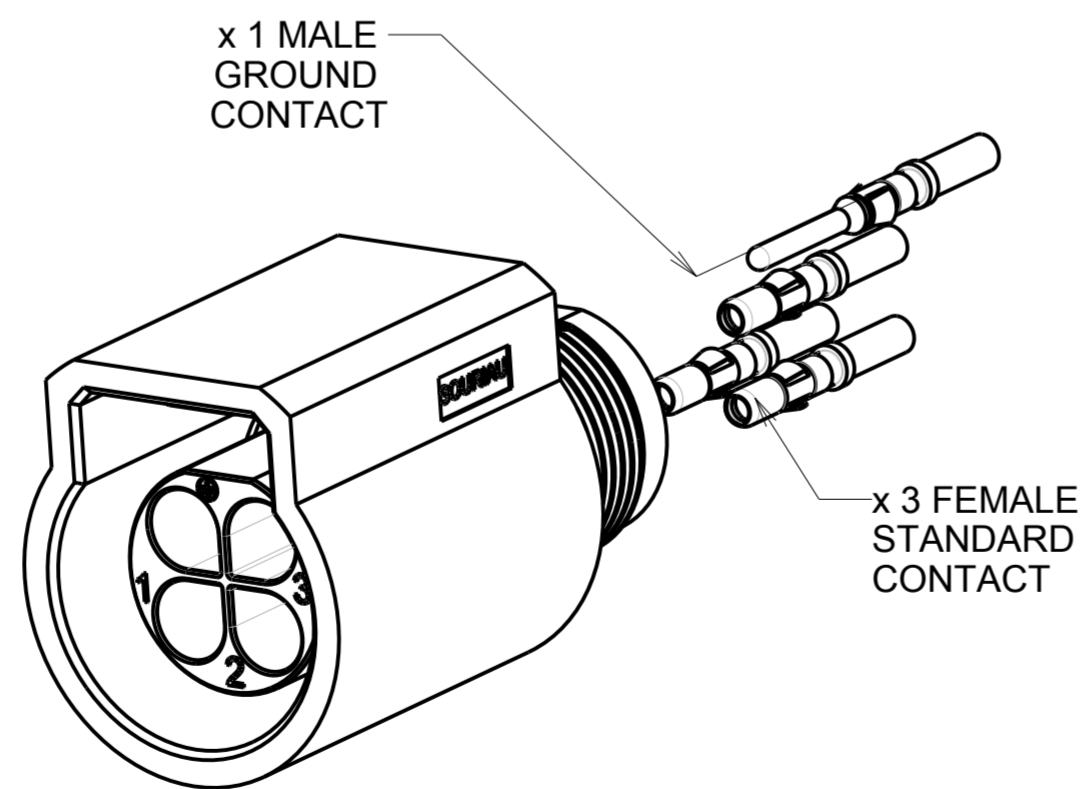


MATING FACE



NOTES

MATERIALS	SEE TABLE	
SHELL		
PERFORMANCES CHARACTERISTICS		
MECHANICAL		
TEMPERATURE CLASS	IEC61984/UL1977	-40°C TO 105°C
DURABILITY	IEC61984	500 MATE / UNMATE CYCLES
SEALING IN MATED CONDITIONS	IEC60529	IP68 1BAR DURING 1WEEK
	DIN40050	IP69K
SEALING IN UNMATED CONDITIONS	IEC60529	IP67 WITH CAPS
OPEN FACE SEALING	IEC60529	IP67 WITH R*M25* CONTACTS
POLLUTION DEGREE	IEC61984	4
CORROSION SALT SPRAY		MIN 1000H
FLAMMABILITY	UL94	MATERIAL RATING: 5VA
OUTDOOR SUITABILITY (UV RESIST)	UL746C	MATERIAL RATING: (f1)
SCOOP PROOF		
ELECTRICAL		
TOUCH PROOF	IEC60529	IP2X
NOMINAL CURRENT	UL1977	16A WITH AWG14 WIRE / 13A WITH AWG16 WIRE
NOMINAL CURRENT	IEC61984	16A WITH 2.5MM² WIRE / 13A WITH 1.5MM² WIRE AT 60°C
NOMINAL VOLTAGE	UL1977	600V
NOMINAL VOLTAGE	IEC61984	250VAC 4KV 4 FOR CLASS II
	IEC61984	500VAC 6KV 4 FOR CLASS I
CONNECTOR BREAKING CAPACITY	UL1977	277V 13A WITH AWG14/16 WIRES
	IEC61984	250VAC 13A 4KV 4
ROHS COMPLIANT		
1. COUNTERPART REFERENCE UTL PLUG		
2. CONNECTORS ARE DELIVERED AS PRE-ASSEMBLED KIT		
3. CONNECTOR BLOCKS ACCEPTS TRIM TRIO CONTACTS #16, R*M* OR S*M* TYPES		
4. CONTACTS TO BE ORDERED SEPARATELY.		
5. WARNING: PHASE CONTACTS ARE FEMALE VERSION AND GROUND CONTACT IS MALE VERSION		
6. UNIT IN MM		



P/N	SHELL' S MATERIAL
UTL1103G1S	POLYAMID GLASS REINFORCED BLACK COLOR
UTL1103G1S03	POLYAMID GLASS REINFORCED LIGHT GREY COLOR

P/N : SEE TABLE

C	19/11/12	Change part number customer drawing	22725
ISS	DATE	Latest modification - by: RIOUX.B	MOD N°
Designed by: RAGINE M.		Date: 25/01/12	CUSTOMER DRAWING
TITLE		FEMALE FREE HANGING SIZE 10 UTL CONNECTOR	
Scale	1/1	General linear Tolerances: ± 0,3	NPRDS / PROJECT UTL
		WWW.SOURIAU.COM	This document is the property of SOURIAU. It must not be reproduced or communicated without permission.
FORMAT	A2	SOURIAU DRG N° UTL1-0014A-C01	SHEET 1/1

NOT EXPORT CONTROLLED

X-ON Electronics

Largest Supplier of Electrical and Electronic Components

Click to view similar products for [Standard Circular Connector](#) category:

Click to view products by [Sunbank](#) manufacturer:

Other Similar products are found below :

[5M2530B10P](#) [600259N006](#) [600273N007](#) [6134-336-13149](#) [6134-337-11149](#) [6134-337-2390](#) [6134-341-17149](#) [6280-4SG-516](#) [6280-7SG-3DC](#)
[6290](#) [6291A](#) [66200A-10](#) [680-SMG](#) [681-PMG](#) [CXS3102A14S2P](#) [CXS3102A181S](#) [7271-6SG-300](#) [7282-3PG-300-CH3](#) [75-474014-05S](#) [75-](#)
[474618-01S](#) [75-474618-04P](#) [75-474618-04S](#) [799539-000](#) [MI8-SE](#) [805-005-07NF11-19PC](#) [805-005-07NF15-7PA](#) [8280-4PG-516](#) [8280-7PG-](#)
[519](#) [8282-5PG-519](#) [836783-1](#) [MP-4102-25P-C](#) [862256-1](#) [864019-2](#) [866857-1](#) [867865-1](#) [PT01SP-14-18P](#) [PT08P-14-5S](#) [120-1833-000](#)
[QCM019PC2DC012B](#) [1-2069279-1](#) [121583-0217](#) [121667-0020](#) [129591AU](#) [1000B BULK](#) [RD10A16-19-P6CS051/1](#) [RD10A20-31-](#)
[P8CS051/1](#) [RD16A14-12-S6CS051/2](#) [1301240290](#) [1301240347](#) [1301860202](#) [1301240268](#)