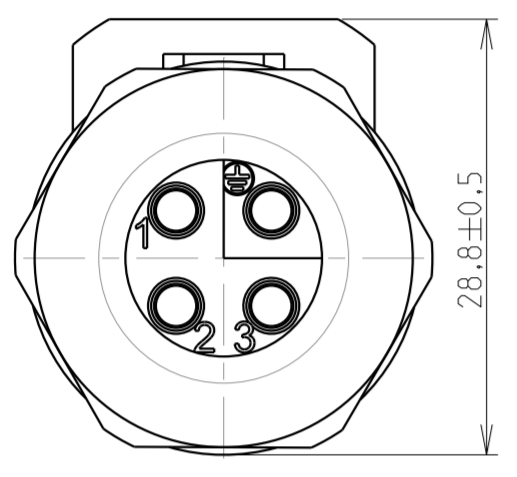
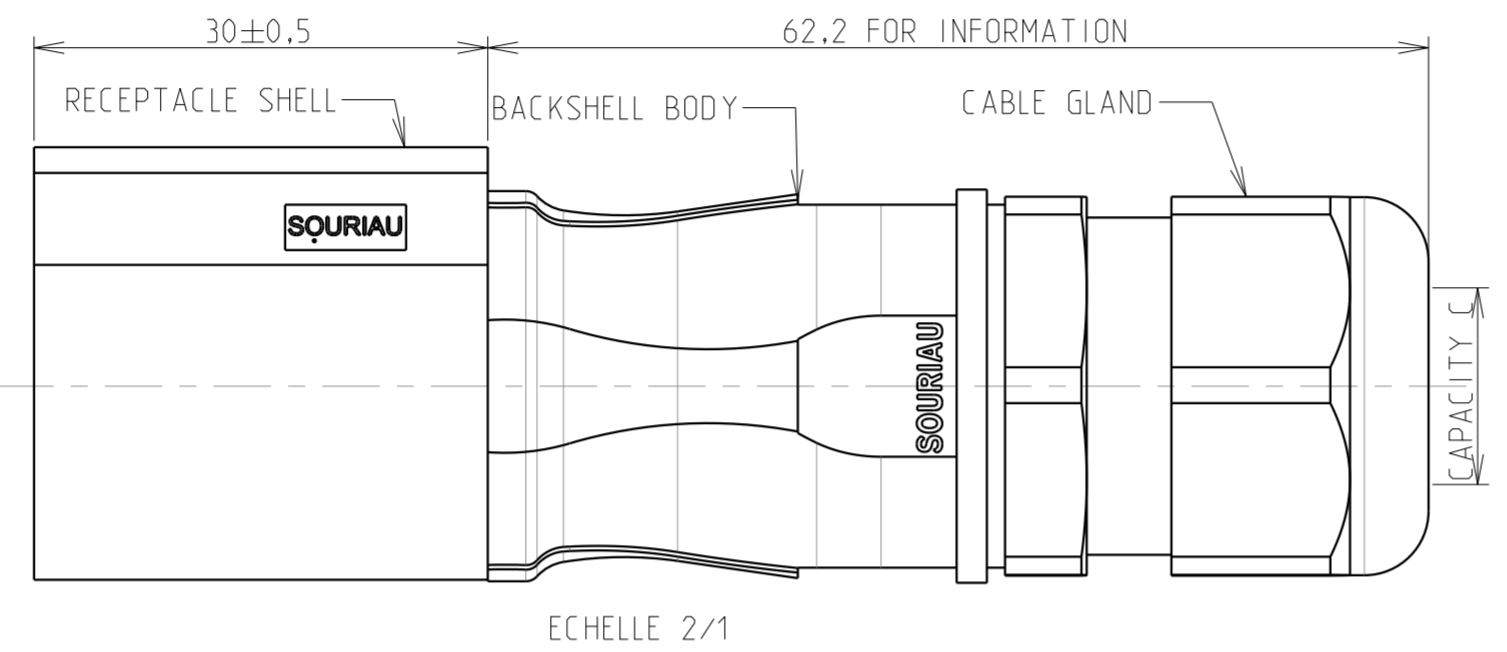
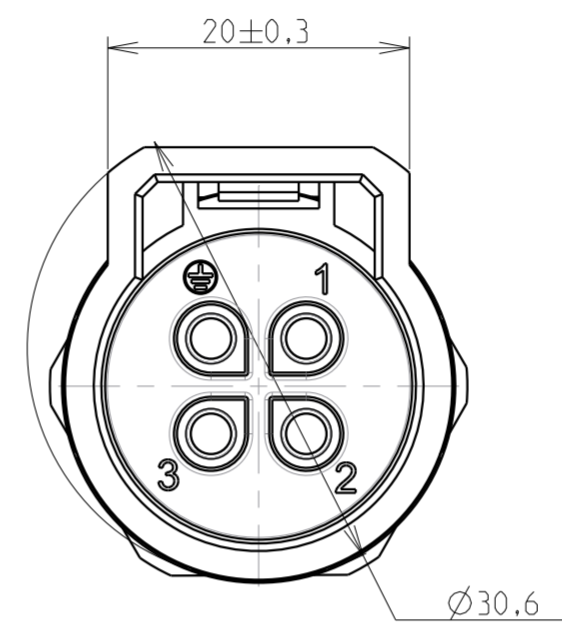


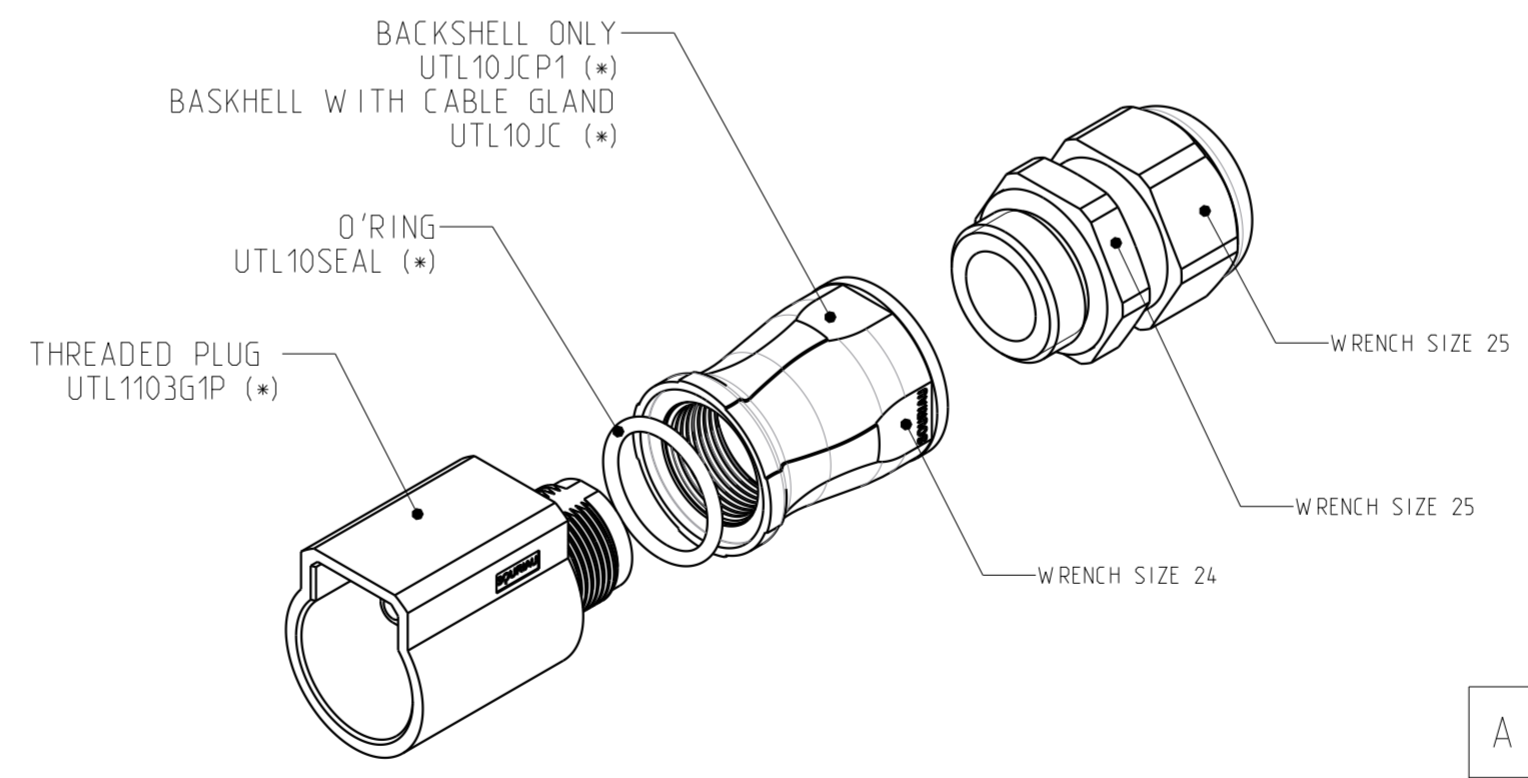
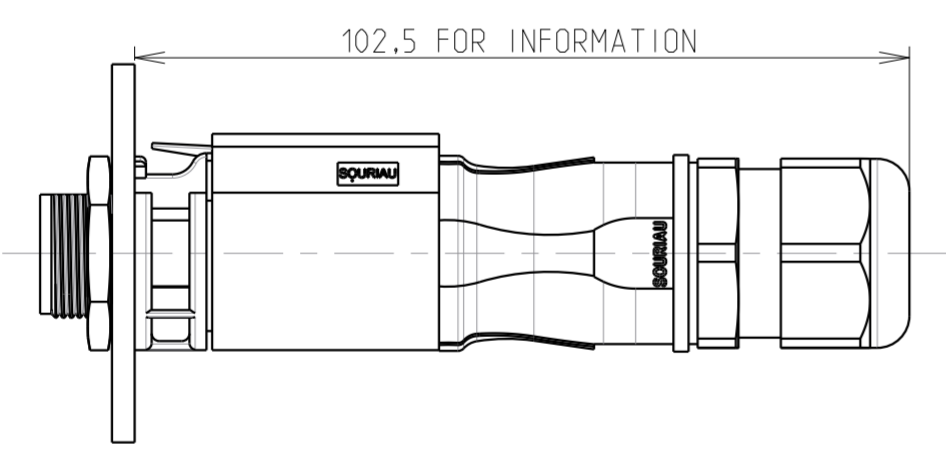
**WIRING FACE**



**MATING FACE**



**VIEW IN MOUNTED AND MATED CONDITIONS**



**NOTES**

**MATERIALS**  
SHELL  
O-RING  
BACKSHELL BODY  
CABLE GLAND

BLACK POLYAMID  
NBR  
BLACK POLYAMID  
BLACK POLYAMID + NBR

**PERFORMANCES CHARACTERISTICS**

MECHANICAL		ELECTRICAL	
TEMPERATURE CLASS	IEC61984/UL1977	-40°C TO 105°C	
DURABILITY	IEC61984	500 MATE / UNMATE CYCLES	
SEALING IN MATED CONDITIONS	IEC60529	IP68 1BAR DURING 1WEEK	
	DIN40050	IP69K	
SEALING IN UNMATED CONDITIONS	IEC60529	IP67 WITH CAPS	
OPEN FACE SEALING	IEC60529	IP67 WITH R*M25* CONTACTS	
POLLUTION DEGREE	IEC61984	4	
CORROSION SALT SPRAY		MIN 1000H	
FLAMMABILITY	UL94	MATERIAL RATING: 5VA	
OUTDOOR SUITABILITY (UV RESIST)	UL746C	MATERIAL RATING: (f1)	
SCOOP PROOF			
TOUCH PROOF		IEC60529	IP2X
NOMINAL CURRENT		UL1977	16A WITH AWG14 WIRE / 13A WITH AWG16 WIRE
NOMINAL CURRENT		IEC61984	16A WITH 2.5MM² WIRE / 13A WITH 1.5MM² WIRE AT 60°C
NOMINAL VOLTAGE		UL1977	600V
NOMINAL VOLTAGE		IEC61984	250VAC 4KV 4 FOR CLASS II
		IEC61984	500VAC 6KV 4 FOR CLASS I
CONNECTOR BREAKING CAPACITY		UL1977	277V 13A WITH AWG14/16 WIRES
		IEC61984	250VAC 13A 4KV 4

**ROHS COMPLIANT**

- COUNTERPART REFERENCE UTL PLUG
- CONNECTORS ARE DELIVERED AS PRE-ASSEMBLED KIT
- CONNECTOR BLOCKS ACCEPTS TRIM TRIO CONTACTS #16, R\*M\* OR S\*M\* TYPES
- CONTACTS TO BE ORDERED SEPARATELY.
- WARNING: PHASE CONTACTS ARE MALE VERSION AND GROUND CONTACT IS FEMALE VERSION
- UNIT IN MM
- MAX WIRE INSULATOR DIAMETER : Ø3.7mm
- (\*) : OPTIONAL ORDERING PART NUMBERS TO BE ORDERED SEPARATELY
- CAPACITY C : Ø6.5 / Ø12

Country	Jurisdiction & Control List
FR	NOT LISTED

P/N : UTL1JC 103G1P

A	12/02/18	Creation	
ISS	DATE	Latest modification - by:	MOD N°
		R.M. Date: 12/02/18	CUSTOMER DRAWING
TITLE		FREE HANGING WITH THREADED BACKSHELL SIZE 10 UTL CONNECTOR	
Scale	1/1	General linear Tolerances: ± 0.2	NPRDS / PROJECT BE170912A
SOURIAU		WWW.SOURIAU.COM	
		This document is the property of SOURIAU. It must not be reproduced or communicated without permission.	
FORMAT	A2	SOURIAU DRG N° UTL1-0101A-C	SHEET 1 / 1

SOURIAU shall not be liable for any non-conformity or damage due to a use of the Products which does not comply with the Specifications issued by either of the Parties or by a third party (professional recommendation, technical notice.)

## X-ON Electronics

Largest Supplier of Electrical and Electronic Components

*Click to view similar products for [Standard Circular Connector](#) category:*

*Click to view products by [Sunbank](#) manufacturer:*

Other Similar products are found below :

[5M2530B10P](#) [600259N006](#) [600273N007](#) [6134-336-13149](#) [6134-337-11149](#) [6134-337-2390](#) [6134-341-17149](#) [6280-4SG-516](#) [6280-7SG-3DC](#)  
[6290](#) [6291A](#) [66200A-10](#) [680-SMG](#) [681-PMG](#) [CXS3102A14S2P](#) [CXS3102A181S](#) [7271-6SG-300](#) [7282-3PG-300-CH3](#) [75-474014-05S](#) [75-](#)  
[474618-01S](#) [75-474618-04P](#) [75-474618-04S](#) [799539-000](#) [MI8-SE](#) [805-005-07NF11-19PC](#) [805-005-07NF15-7PA](#) [8280-4PG-516](#) [8280-7PG-](#)  
[519](#) [8282-5PG-519](#) [836783-1](#) [MP-4102-25P-C](#) [862256-1](#) [864019-2](#) [866857-1](#) [867865-1](#) [PT01SP-14-18P](#) [PT08P-14-5S](#) [120-1833-000](#)  
[QCM019PC2DC012B](#) [1-2069279-1](#) [121583-0217](#) [121667-0020](#) [129591AU](#) [1000B BULK](#) [RD10A16-19-P6CS051/1](#) [RD10A20-31-](#)  
[P8CS051/1](#) [RD16A14-12-S6CS051/2](#) [1301240290](#) [1301240347](#) [1301860202](#) [1301240268](#)