

NOTES

MATERIALS
 SHELL SEE TABLE
 COUPLING LATCH STAINLESS STEEL
 O'RING LUBRICATED RED SILICON

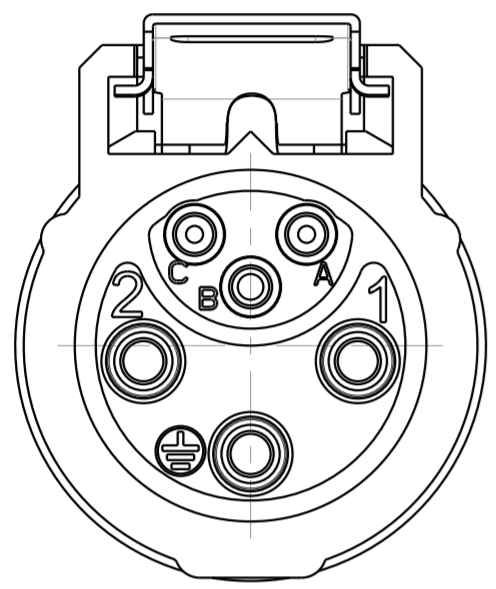
PERFORMANCES CHARACTERISTICS
 MECHANICAL
 TEMPERATURE CLASS IEC61984/UL1977 -40°C TO 105°C
 DURABILITY IEC61984 500 MATE / UNMATE CYCLES
 SEALING IN MATED CONDITIONS IEC60529 IP68 1BAR DURING 1WEEK
 DIN40050 IP69K
 SEALING IN UNMATED CONDITIONS IEC60529 IP67 WITH CAPS
 POLLUTION DEGREE IEC61984 4
 CORROSION SALT SPRAY IEC60529 MIN 1000H
 FLAMMABILITY UL94 MATERIAL RATING: 5VA
 OUTDOOR SUITABILITY (UV RESIST) UL746C MATERIAL RATING: (f1)
 SCOOP PROOF

ELECTRICAL
 TOUCH PROOF IEC60529 IP2X
 POWER AND GROUND LINES:
 NOMINAL CURRENT UL1977 16A WITH AWG14 WIRE / 13A WITH AWG16 WIRE
 NOMINAL CURRENT IEC61984 16A WITH 2.5MM² WIRE / 13A WITH 1.5MM² WIRE AT 60°C
 NOMINAL VOLTAGE UL1977 600V
 NOMINAL VOLTAGE IEC61984 250VAC 4KV 4 FOR CLASS II
 IEC61984 500VAC 6KV 4 FOR CLASS I
 SIGNAL CONTACT (a,b,c) LINES:
 NOMINAL VOLTAGE IEC61984 48V AC
 NOMINAL CURRENT IEC61984 5A

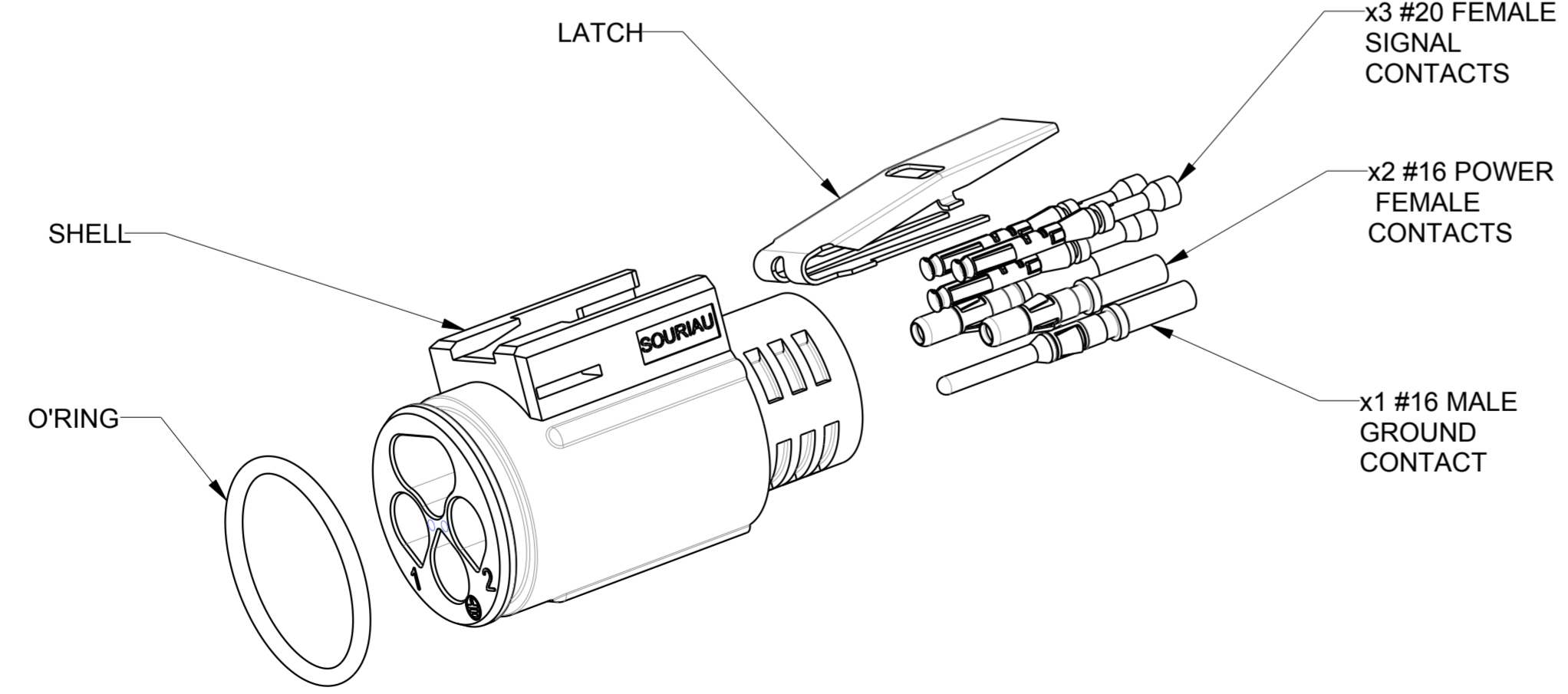
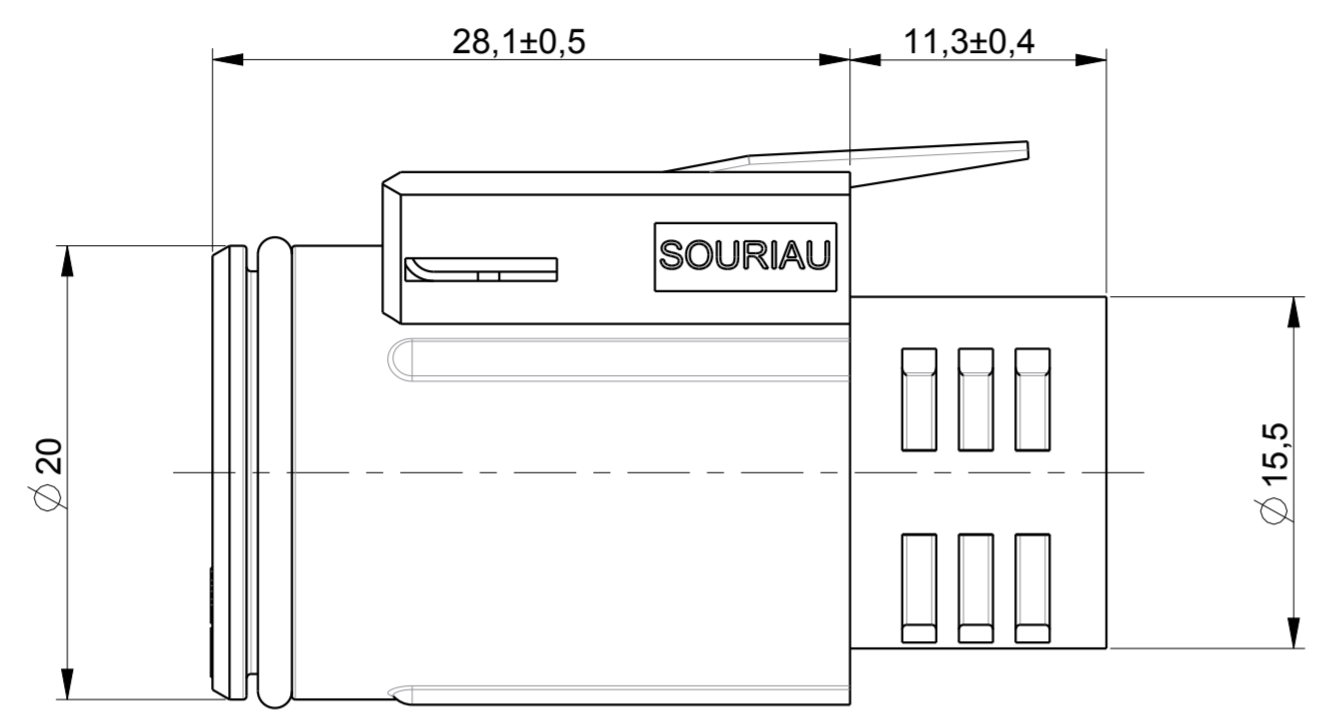
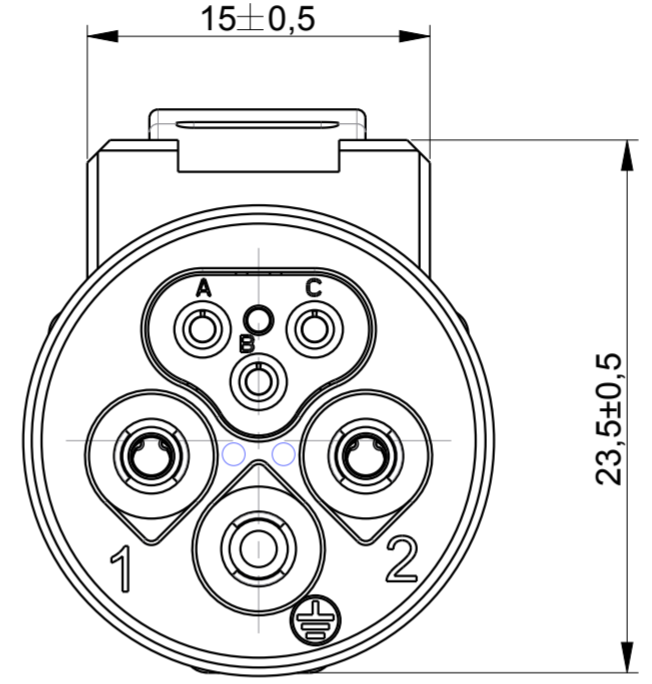
ROHS COMPLIANT

- COUNTERPART REFERENCE UTL RECEPTACLE OR FREE HANGING
- CONNECTORS ARE DELIVERED AS PRE-ASSEMBLED KIT
- CONNECTOR BLOCKS ACCEPTS TRIM TRIO CONTACTS #16 AND #20, R*M* OR S*M* TYPES
- CONTACTS TO BE ORDERED SEPARATELY.
- WARNING: PHASE AND SIGNAL CONTACTS ARE FEMALE VERSION AND GROUND CONTACT IS MALE VERSION
- UNIT IN MM

WIRING FACE



MATING FACE



P/N	SHELL' S MATERIAL
UTL6102G1W3S	PA GF REINFORCED BLACK COLOR
UTL6102G1W3S03	PA GF REINFORCED LIGHT GREY COLOR

P/N : SEE TABLE

B	06/03/2015	—	Clearances dimensions modification	23869
ISS	DATE	Latest modification - by:	COUTY L.	MOD N°
Designed by:		RAGAINÉ M.	Date:17/07/2013	CUSTOMER DRAWING
TITLE		FEMALE PLUG LAYOUT 6 CONTACTS SIZE 10 UTL CONNECTOR		
Scale	2/1	General linear Tolerances: ± 0,2	NPRDS / PROJECT UTL	
SOURIAU		WWW.SOURIAU.COM		This document is the property of SOURIAU It must not be reproduced or communicated without permission
FORMAT	SOURIAU DRG N° UTL1-0050A-C01			SHEET 1/1

X-ON Electronics

Largest Supplier of Electrical and Electronic Components

Click to view similar products for [Standard Circular Connector](#) category:

Click to view products by [Sunbank](#) manufacturer:

Other Similar products are found below :

[5M2530B10P](#) [600259N006](#) [600273N007](#) [6134-336-13149](#) [6134-337-11149](#) [6134-337-2390](#) [6134-341-17149](#) [6280-4SG-516](#) [6280-7SG-3DC](#)
[6290](#) [6291A](#) [66200A-10](#) [680-SMG](#) [681-PMG](#) [CXS3102A14S2P](#) [CXS3102A181S](#) [7251-5SG-300](#) [7271-6SG-300](#) [7282-3PG-300-CH3](#) [75-](#)
[474618-01S](#) [75-474618-04P](#) [75-474618-04S](#) [799539-000](#) [MI8-SE](#) [805-005-07NF11-19PC](#) [805-005-07NF15-7PA](#) [8280-4PG-516](#) [8280-7PG-](#)
[519](#) [8282-5PG-519](#) [836783-1](#) [MP-4102-25P-C](#) [862256-1](#) [864019-2](#) [866857-1](#) [867865-1](#) [PT01SP-14-18P](#) [PT08P-14-5S](#) [PTSF06SE-14-12S](#)
[120-1833-000](#) [QCM019PC2DC012B](#) [1-2069279-1](#) [121583-0217](#) [121667-0020](#) [129591AU](#) [1000B BULK](#) [RD10A16-19-P6CS051/1](#)
[RD10A20-31-P8CS051/1](#) [RD16A14-12-S6CS051/2](#) [1301240290](#) [1301240347](#) [1301860202](#)