

A.14: Validé

MASS ± 5% 59.5 g

NOTES

**MATERIALS**  
 SHELL : BLACK POLYAMID  
 COUPLING / BACKSHELL O'RING : LUBRICATED RED SILICON  
 LOCKING LATCH : STAINLESS STEEL  
 BACKSHELL BODY : BLACK POLYAMID  
 FLAT SEAL : NBR OR CR  
 CABLE GLAND BODY AND NUT : BLACK POLYAMID  
 CABLE GLAND SEAL : CR  
 CONTACT BODY : BRASS ALLOY  
 CONTACT CLIP : COPPER ALLOY  
 SCREW : STAINLESS STEEL

**PERFORMANCES CHARACTERISTICS**

**MECHANICAL**  
 TEMPERATURE CLASS IEC61984/UL1977 -40°C TO 105°C  
 DURABILITY IEC61984 500 MATE / UNMATE CYCLES  
 SEALING IN MATED CONDITIONS IEC60529 IP68 1BAR DURING 1WEEK  
 DIN40050 IP69K  
 OPEN FACE SEALING IEC60529 WITH SEALED CONTACT REF. R\*M25\* CONTACTS  
 POLLUTION DEGREE IEC61984 4  
 CORROSION SALT SPRAY IEC61984 MIN 1000H EXPOSURE  
 FLAMMABILITY UL94 INSULATING MATERIAL : VO LEVEL  
 SCOOP PROOF

**ELECTRICAL**  
 TOUCH PROOF IEC60529 IP2X  
 WITHSTANDING VOLTAGE 2200VAC DURING 1 MIN  
 GROUND POSITION FIRST MATE LAST BREAK  
 POWER POSITION MARKED "L" AND "N"

**NOMINAL CURRENT** UL1977 16A WITH AWG14 WIRE / 13A WITH AWG16 WIRE  
 IEC61984 16A WITH 2.5MM² WIRE / 13A WITH 1.5MM² WIRE

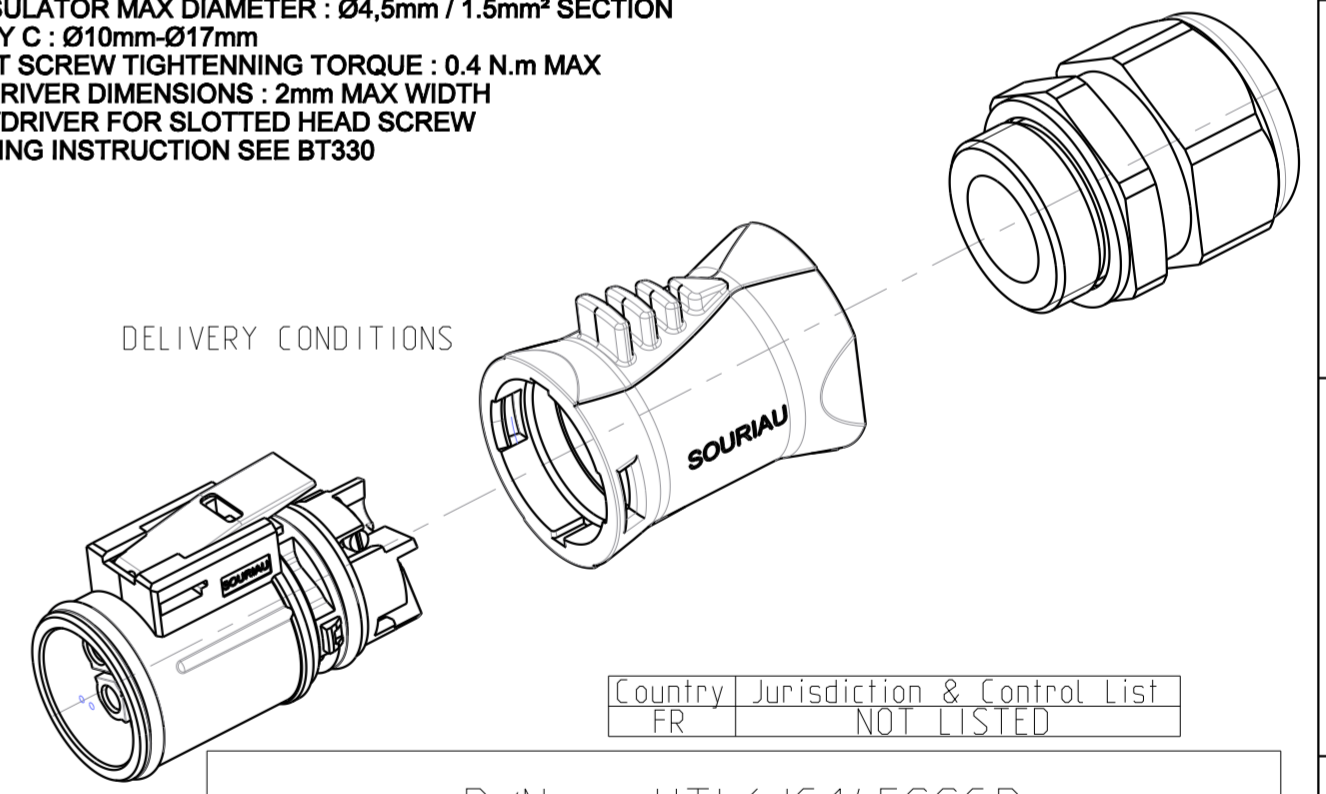
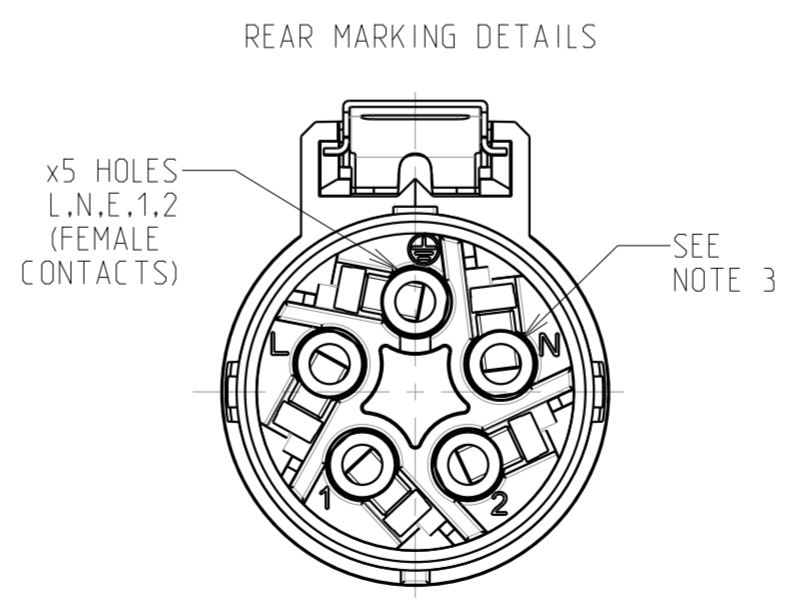
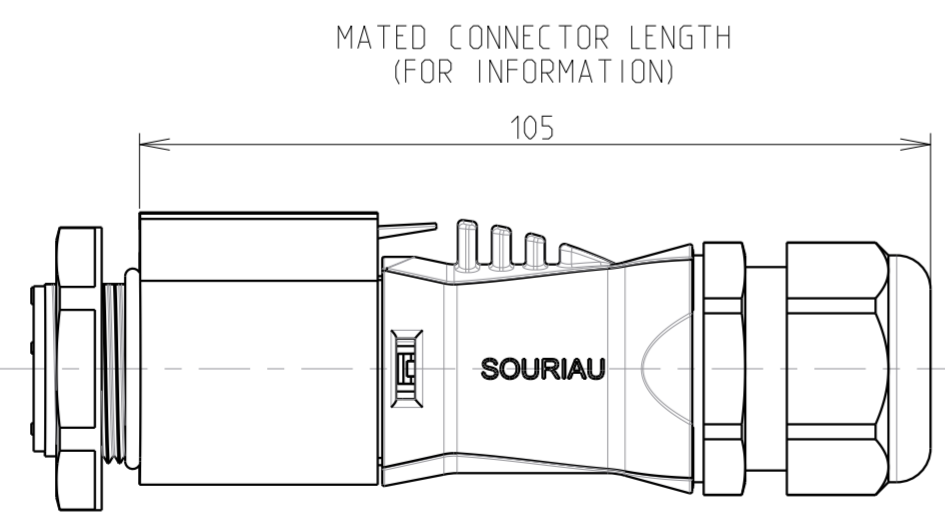
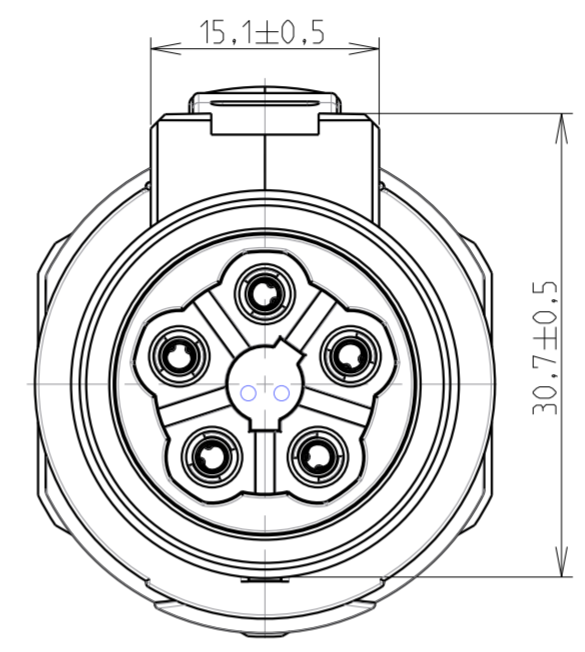
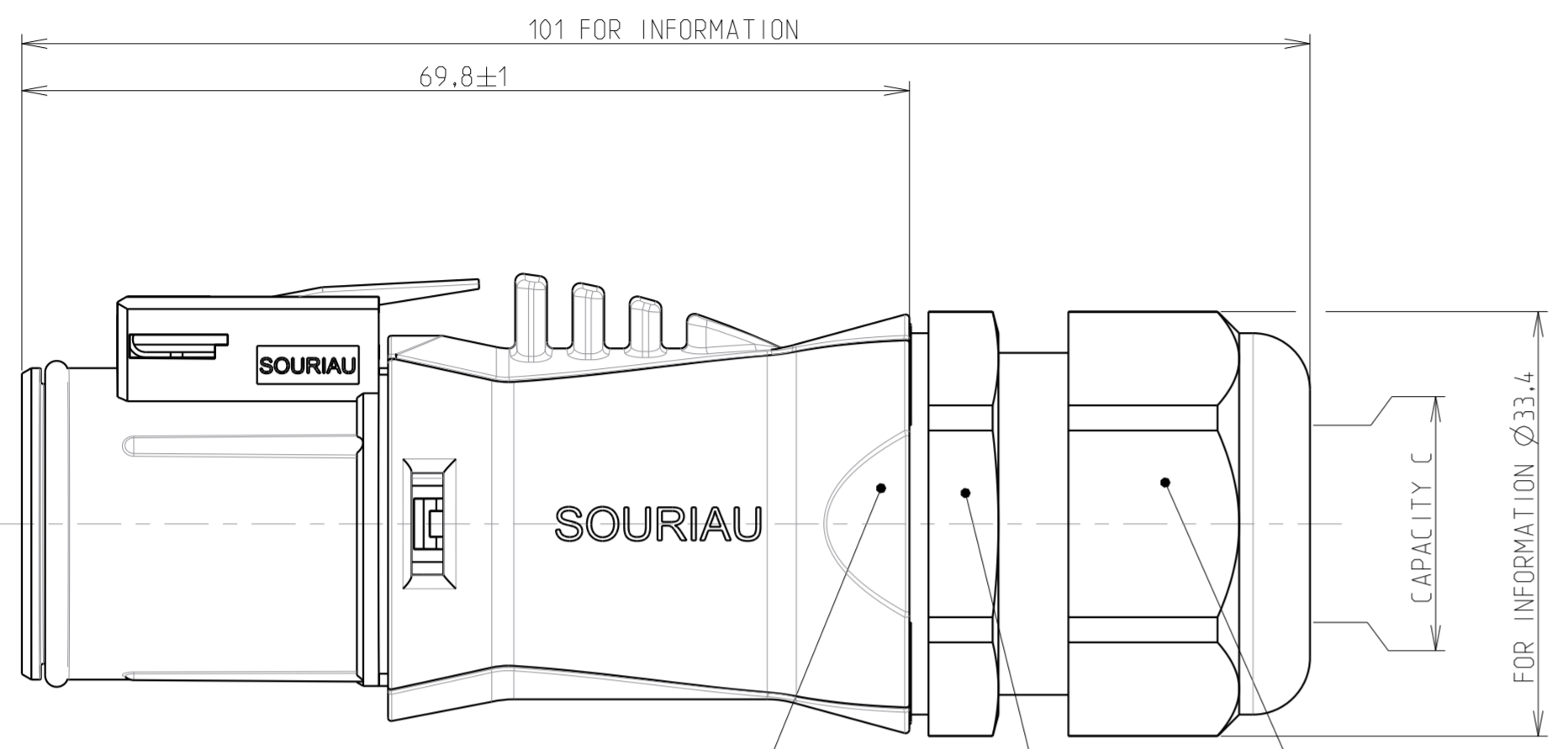
**NOMINAL VOLTAGE** UL1977 277V  
 IEC61984 250VAC 4KV 4 FOR CLASS II EQUIPMENT  
 IEC61984 500VAC 6KV 4 FOR CLASS I EQUIPMENT

**NOMINAL CURRENT AND VOLTAGE FOR CBC USE** UL1977 277V 13A WITH AWG14/16 WIRES FOR CBC USE  
 IEC61984 250VAC 13A 4KV 4 FOR CBC USE

**CONTROL POSITION MARKED "1" AND "2"** 48V , 1A, FREQUENCY UP TO 100 Mhz

**REGULATION :**  
 ROHS COMPLIANT

- COUNTERPART REFERENCE UTL RECEPTACLE
- CONNECTORS ARE DELIVERED AS PRE-ASSEMBLED KIT
- CONTACTS ARE INCLUDED INTO THE KIT
- UNIT IN MM
- WIRE INSULATOR MAX DIAMETER : Ø4,5mm / 1.5mm² SECTION
- CAPACITY C : Ø10mm-Ø17mm
- CONTACT SCREW TIGHTENING TORQUE : 0.4 N.m MAX
- SCREWDRIVER DIMENSIONS : 2mm MAX WIDTH  
 TIP SCREWDRIVER FOR SLOTTED HEAD SCREW
- FOR WIRING INSTRUCTION SEE BT330



Country Jurisdiction & Control List  
 FR NOT LISTED

P/N : UTL6JC145SSCR

A	24/01/2017	First edition	24328PR
ISS	DATE	Latest modification - by: --	MOD N°
Designed by: R.M.		Date: 1 24/01/2017	CUSTOMER DRAWING
TITLE		FEMALE PLUG TYPE 6 SIZE 14 LAYOUT 5 SCREW TIGHTENING CTS UTL CONNECTOR	
Scale	1/1	General linear Tolerances: ± 0.2	NPRDS / PROJECT BE151304A
SOURIAU WWW.SOURIAU.COM		This document is the property of SOURIAU It must not be reproduced or communicated without permission	
FORMAT	SOURIAU DRG N° UTL1-0081A-C		SHEET 1 / 1

## X-ON Electronics

Largest Supplier of Electrical and Electronic Components

*Click to view similar products for [Standard Circular Connector](#) category:*

*Click to view products by [Sunbank](#) manufacturer:*

Other Similar products are found below :

[5M2530B10P](#) [600259N006](#) [600273N007](#) [6134-336-13149](#) [6134-337-11149](#) [6134-337-2390](#) [6134-341-17149](#) [6280-4SG-516](#) [6280-7SG-3DC](#)  
[6290](#) [6291A](#) [66200A-10](#) [680-SMG](#) [681-PMG](#) [CXS3102A14S2P](#) [CXS3102A181S](#) [7271-6SG-300](#) [7282-3PG-300-CH3](#) [75-474014-05S](#) [75-](#)  
[474618-01S](#) [75-474618-04P](#) [75-474618-04S](#) [799539-000](#) [MI8-SE](#) [805-005-07NF11-19PC](#) [805-005-07NF15-7PA](#) [8280-4PG-516](#) [8280-7PG-](#)  
[519](#) [8282-5PG-519](#) [836783-1](#) [MP-4102-25P-C](#) [862256-1](#) [864019-2](#) [866857-1](#) [867865-1](#) [PT01SP-14-18P](#) [PT08P-14-5S](#) [120-1833-000](#)  
[QCM019PC2DC012B](#) [1-2069279-1](#) [121583-0217](#) [121667-0020](#) [129591AU](#) [1000B BULK](#) [RD10A16-19-P6CS051/1](#) [RD10A20-31-](#)  
[P8CS051/1](#) [RD16A14-12-S6CS051/2](#) [1301240290](#) [1301240347](#) [1301860202](#) [1301240268](#)