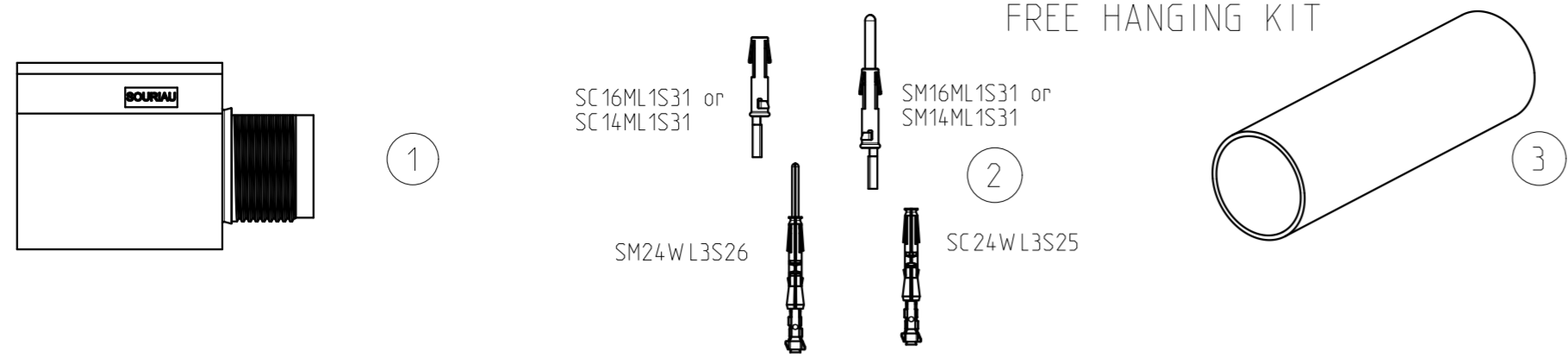
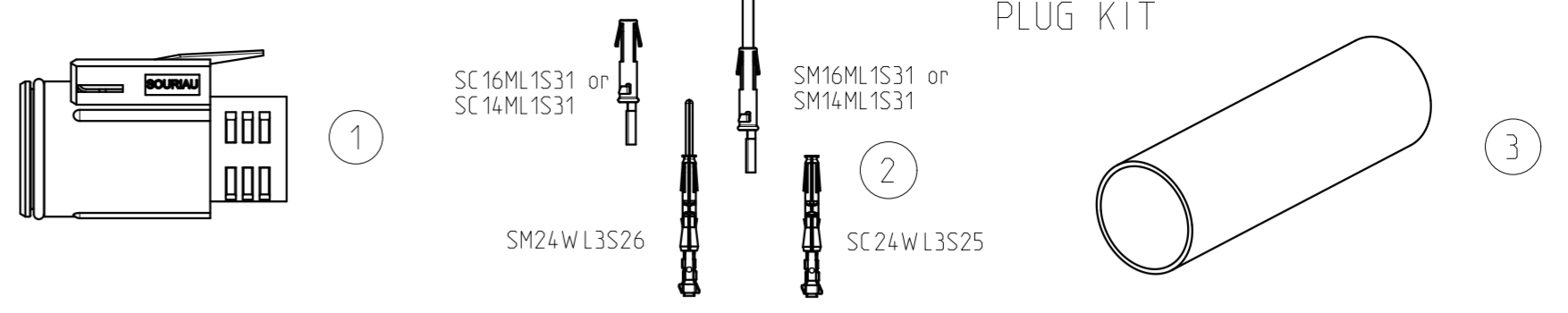


FREE HANGING KIT



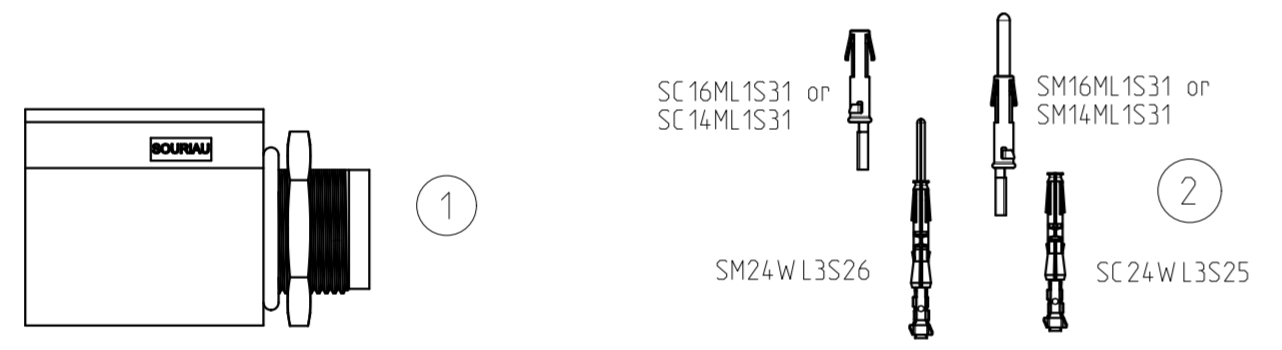
| P/N KIT | CONNECTOR ① | | | CONTACTS ② | | | BACKSHELL ③ | | |
|---------------------|---------------|-----|---------------|------------|-----|----------------|-----------------|-----|---------|
| | P/N | QTY | DRAWING | P/N | QTY | DRAWING | P/N | QTY | DRAWING |
| UTL1102G1W 3P16AW G | UTL1102G1W 3P | x 1 | UTL1-0051-C01 | SM16ML1S31 | x3 | BS.C.200178001 | HEATSHRINK BOOT | x1 | ----- |
| | | | | SC16ML1S31 | x2 | BS.C.200178002 | | | |
| | | | | SM20WL3S26 | x1 | BS.C.202338001 | | | |
| | | | | SM24WL3S26 | x3 | | | | |
| UTL1102G1W 3P14AW G | UTL1102G1W 3P | x 1 | UTL1-0051-C01 | SM14ML1S31 | x3 | BS.C.200178001 | HEATSHRINK BOOT | x1 | ----- |
| | | | | SC14ML1S31 | x2 | BS.C.200178002 | | | |
| | | | | SM20WL3S26 | x1 | BS.C.202338001 | | | |
| | | | | SM24WL3S26 | x3 | | | | |
| UTL1102G1W 3S16AW G | UTL1102G1W 3S | x 1 | UTL1-0052-C01 | SM16ML1S31 | x2 | BS.C.200178001 | HEATSHRINK BOOT | x1 | ----- |
| | | | | SC16ML1S31 | x3 | BS.C.200178002 | | | |
| | | | | SC20WL3S25 | x1 | BS.C.202338001 | | | |
| | | | | SC24WL3S25 | x3 | | | | |
| UTL1102G1W 3S14AW G | UTL1102G1W 3S | x 1 | UTL1-0052-C01 | SM14ML1S31 | x2 | BS.C.200178001 | HEATSHRINK BOOT | x1 | ----- |
| | | | | SC14ML1S31 | x3 | BS.C.200178002 | | | |
| | | | | SC20WL3S25 | x1 | BS.C.202338001 | | | |
| | | | | SC24WL3S25 | x3 | | | | |

PLUG KIT



| P/N KIT | CONNECTOR ① | | | CONTACTS ② | | | BACKSHELL ③ | | |
|---------------------|---------------|-----|---------------|------------|-----|----------------|-----------------|-----|---------|
| | P/N | QTY | DRAWING | P/N | QTY | DRAWING | P/N | QTY | DRAWING |
| UTL6102G1W 3P16AW G | UTL6102G1W 3P | x 1 | UTL1-0049-C01 | SM16ML1S31 | x3 | BS.C.200178001 | HEATSHRINK BOOT | x1 | ----- |
| | | | | SC16ML1S31 | x2 | BS.C.200178002 | | | |
| | | | | SM20WL3S26 | x1 | BS.C.202338001 | | | |
| | | | | SM24WL3S26 | x3 | | | | |
| UTL6102G1W 3P14AW G | UTL6102G1W 3P | x 1 | UTL1-0049-C01 | SM14ML1S31 | x3 | BS.C.200178001 | HEATSHRINK BOOT | x1 | ----- |
| | | | | SC14ML1S31 | x2 | BS.C.200178002 | | | |
| | | | | SM20WL3S26 | x1 | BS.C.202338001 | | | |
| | | | | SM24WL3S26 | x3 | | | | |
| UTL6102G1W 3S16AW G | UTL6102G1W 3S | x 1 | UTL1-0050-C01 | SM16ML1S31 | x2 | BS.C.200178001 | HEATSHRINK BOOT | x1 | ----- |
| | | | | SC16ML1S31 | x3 | BS.C.200178002 | | | |
| | | | | SC20WL3S25 | x1 | BS.C.202338001 | | | |
| | | | | SC24WL3S25 | x3 | | | | |
| UTL6102G1W 3S14AW G | UTL6102G1W 3S | x 1 | UTL1-0050-C01 | SM14ML1S31 | x2 | BS.C.200178001 | HEATSHRINK BOOT | x1 | ----- |
| | | | | SC14ML1S31 | x3 | BS.C.200178002 | | | |
| | | | | SC20WL3S25 | x1 | BS.C.202338001 | | | |
| | | | | SC24WL3S25 | x3 | | | | |

JAM NUT RECEPTACLE CONNECTOR KIT

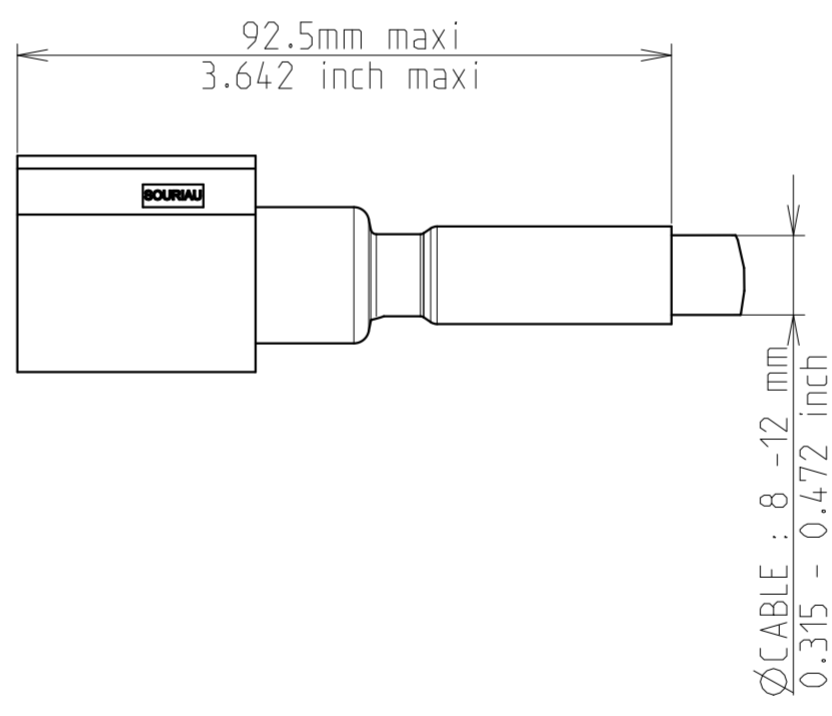


| P/N KIT | CONNECTOR ① | | | CONTACTS ② | | |
|---------------------|---------------|-----|---------------|------------|-----|----------------|
| | P/N | QTY | DRAWING | P/N | QTY | DRAWING |
| UTL7102G1W 3P16AW G | UTL7102G1W 3P | x 1 | UTL1-0047-C01 | SM16ML1S31 | x3 | BS.C.200178001 |
| | | | | SC16ML1S31 | x2 | BS.C.200178002 |
| | | | | SM20WL3S26 | x1 | BS.C.202338001 |
| | | | | SM24WL3S26 | x3 | |
| UTL7102G1W 3P14AW G | UTL7102G1W 3P | x 1 | UTL1-0047-C01 | SM14ML1S31 | x3 | BS.C.200178001 |
| | | | | SC14ML1S31 | x2 | BS.C.200178002 |
| | | | | SM20WL3S26 | x1 | BS.C.202338001 |
| | | | | SM24WL3S26 | x3 | |
| UTL7102G1W 3S16AW G | UTL7102G1W 3S | x 1 | UTL1-0048-C01 | SM16ML1S31 | x2 | BS.C.200178001 |
| | | | | SC16ML1S31 | x3 | BS.C.200178002 |
| | | | | SC20WL3S25 | x1 | BS.C.202338001 |
| | | | | SC24WL3S25 | x3 | |
| UTL7102G1W 3S14AW G | UTL7102G1W 3S | x 1 | UTL1-0048-C01 | SM14ML1S31 | x2 | BS.C.200178001 |
| | | | | SC14ML1S31 | x3 | BS.C.200178002 |
| | | | | SC20WL3S25 | x1 | BS.C.202338001 |
| | | | | SC24WL3S25 | x3 | |

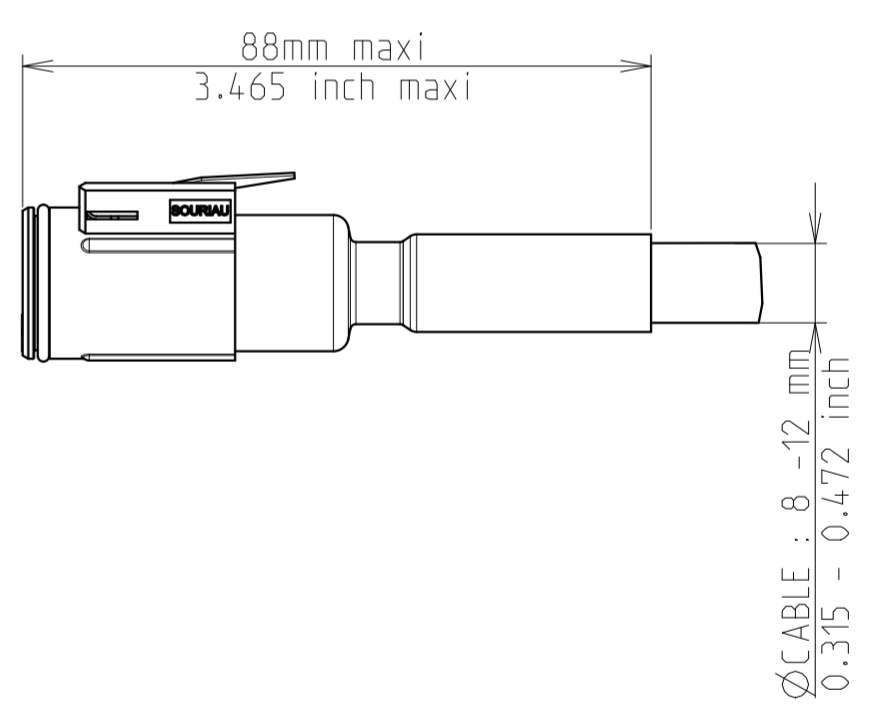
NOTES :

Bill of material of each kit is detailed in tables
 Each kit is delivered in plastic bag with wiring instructions document (extract from BT292 document)
 UTL1* and UTL6 * kits includes a heat shrink boot.
 Heat shrink details : High-Shrink-Ratio (4:1), Adhesive-Lined Polyolefin Tubing
 For cable instruction, refer to BT 292

FREE HANGING (ex UTL1102G1W 3P16AW G)



PLUG (ex UTL6102G1W 3P16AW G)



P/N : SEE TABLE

| | | | | |
|--------------|----------|----------------------------------|------------------------------|---|
| D | 10/08/15 | -- | Drawing's update | -- |
| ISS | DATE | Latest modification - by: | | R.M. |
| Designed by: | | CHANTOISEAU P. | Date: 17/12/13 | CUSTOMER DRAWING |
| TITLE | | EVALUATION KIT UTL CONNECTOR | | |
| Scale | 1/1 | General Linear Tolerances: ± 0.2 | NPRDS / PROJECT IC134605A | |
| SOURIAU | | WWW.SOURIAU.COM | | This document is the property of SOURIAU. It must not be reproduced or communicated without permission. |
| FORMAT | A2 | SOURIAU DRG N° UTL1-0059A-C01 | | SHEET 1 / 1 |

X-ON Electronics

Largest Supplier of Electrical and Electronic Components

Click to view similar products for [Standard Circular Connector](#) category:

Click to view products by [Sunbank](#) manufacturer:

Other Similar products are found below :

[5M2530B10P](#) [600259N006](#) [600273N007](#) [6134-336-13149](#) [6134-337-11149](#) [6134-337-2390](#) [6134-341-17149](#) [6280-4SG-516](#) [6280-7SG-3DC](#)
[6290](#) [6291A](#) [66200A-10](#) [680-SMG](#) [681-PMG](#) [CXS3102A14S2P](#) [CXS3102A181S](#) [7251-5SG-300](#) [7271-6SG-300](#) [7282-3PG-300-CH3](#) [75-](#)
[474618-01S](#) [75-474618-04P](#) [75-474618-04S](#) [799539-000](#) [MI8-SE](#) [805-005-07NF11-19PC](#) [805-005-07NF15-7PA](#) [8280-4PG-516](#) [8280-7PG-](#)
[519](#) [8282-5PG-519](#) [836783-1](#) [MP-4102-25P-C](#) [862256-1](#) [864019-2](#) [866857-1](#) [867865-1](#) [PT01SP-14-18P](#) [PT08P-14-5S](#) [PTSF06SE-14-12S](#)
[120-1833-000](#) [QCM019PC2DC012B](#) [1-2069279-1](#) [121583-0217](#) [121667-0020](#) [129591AU](#) [1000B BULK](#) [RD10A16-19-P6CS051/1](#)
[RD10A20-31-P8CS051/1](#) [RD16A14-12-S6CS051/2](#) [1301240290](#) [1301240347](#) [1301860202](#)