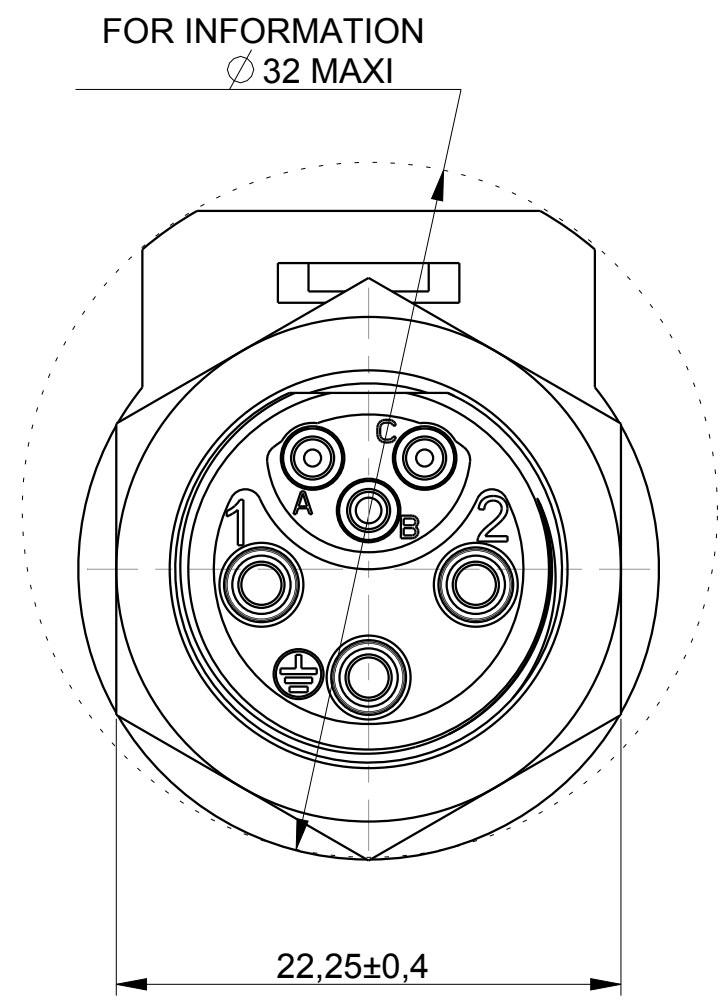
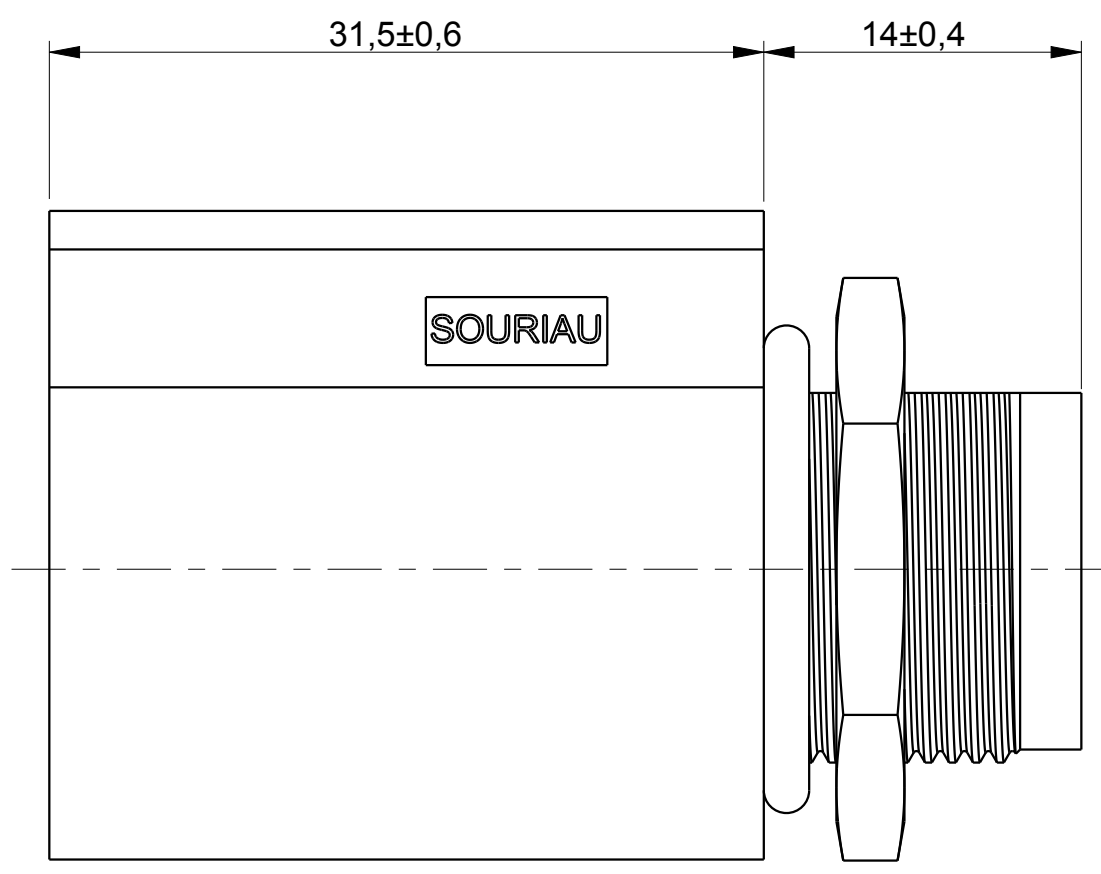
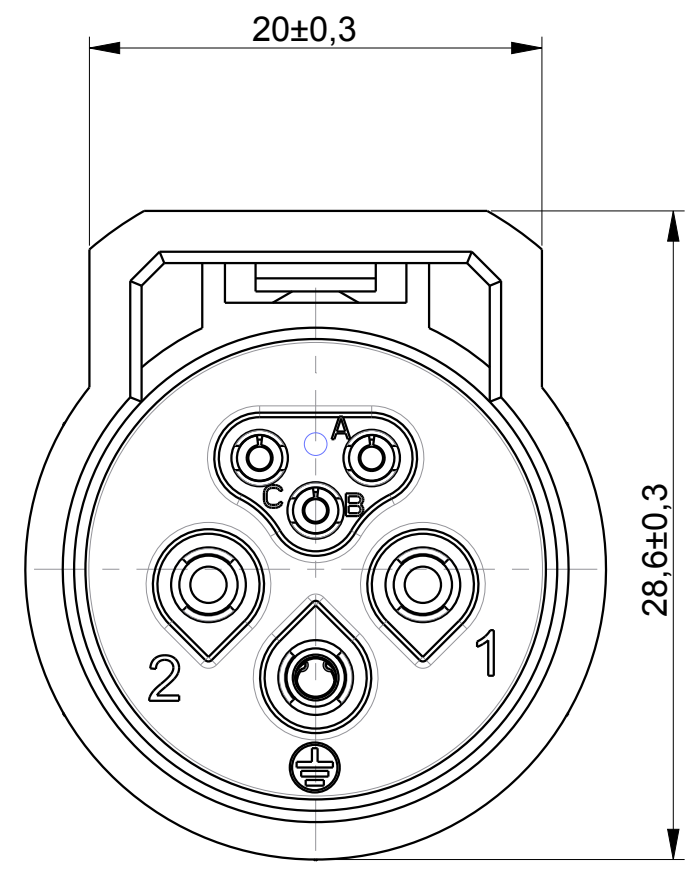


WIRING FACE



MATING FACE



NOTES

MATERIALS
HOUSING
O'RING
NUT

SEE TABLE
NEOPREN
ALUMINIUM ALLOY BLACK ANODIZED

PERFORMANCES CHARACTERISTICS
MECHANICAL
TEMPERATURE CLASS IEC61984/UL1977 -40°C TO 105°C
DURABILITY IEC61984 500 MATE / UNMATE CYCLES
SEALING IN MATED CONDITIONS IEC60529 IP68 1BAR DURING 1WEEK
DIN40050 IP69K
SEALING IN UNMATED CONDITIONS IEC60529 IP67 WITH CAPS
POLLUTION DEGREE IEC61984 4
CORROSION SALT SPRAY IEC60529 MIN 1000H
FLAMMABILITY UL94 MATERIAL RATING: 5VA
OUTDOOR SUITABILITY (UV RESIST) UL746C MATERIAL RATING: (f1)
SCOOP PROOF

ELECTRICAL
TOUCH PROOF IEC60529 IP2X

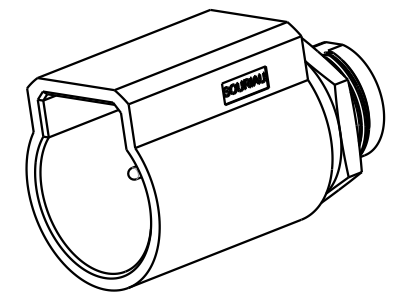
POWER AND GROUND LINES:
NOMINAL CURRENT UL1977 16A WITH AWG14 WIRE / 13A WITH AWG16 WIRE
NOMINAL CURRENT IEC61984 16A WITH 2.5MM² WIRE / 13A WITH 1.5MM² WIRE AT 60°C

NOMINAL VOLTAGE UL1977 600V
NOMINAL VOLTAGE IEC61984 250VAC 4KV 4 FOR CLASS II
IEC61984 500VAC 6KV 4 FOR CLASS I

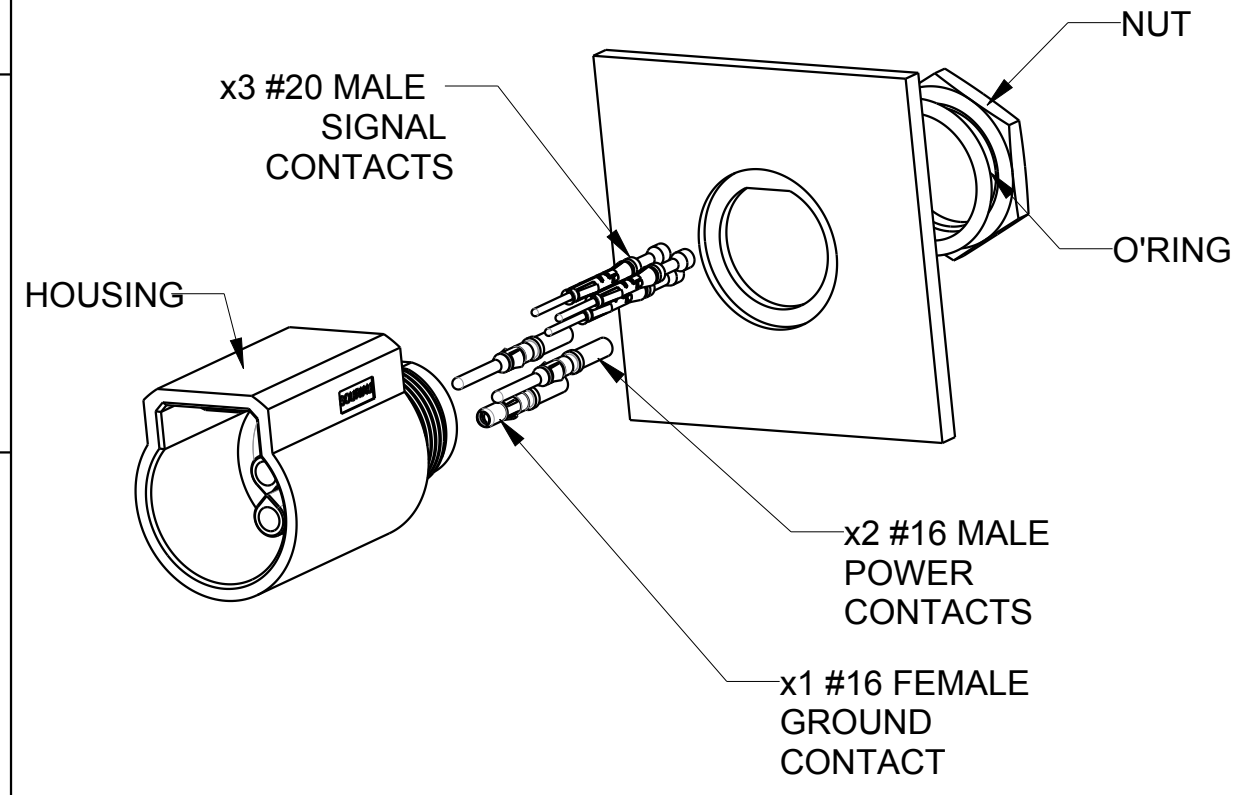
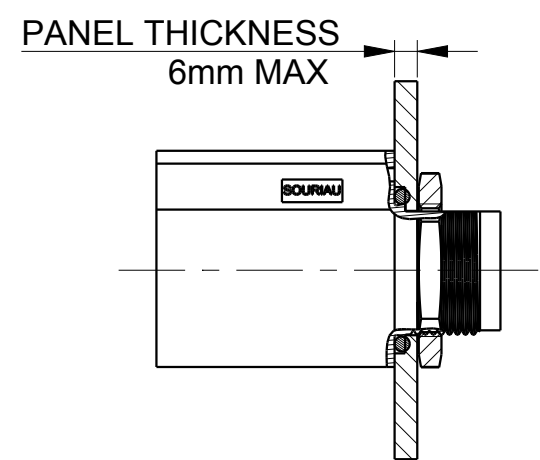
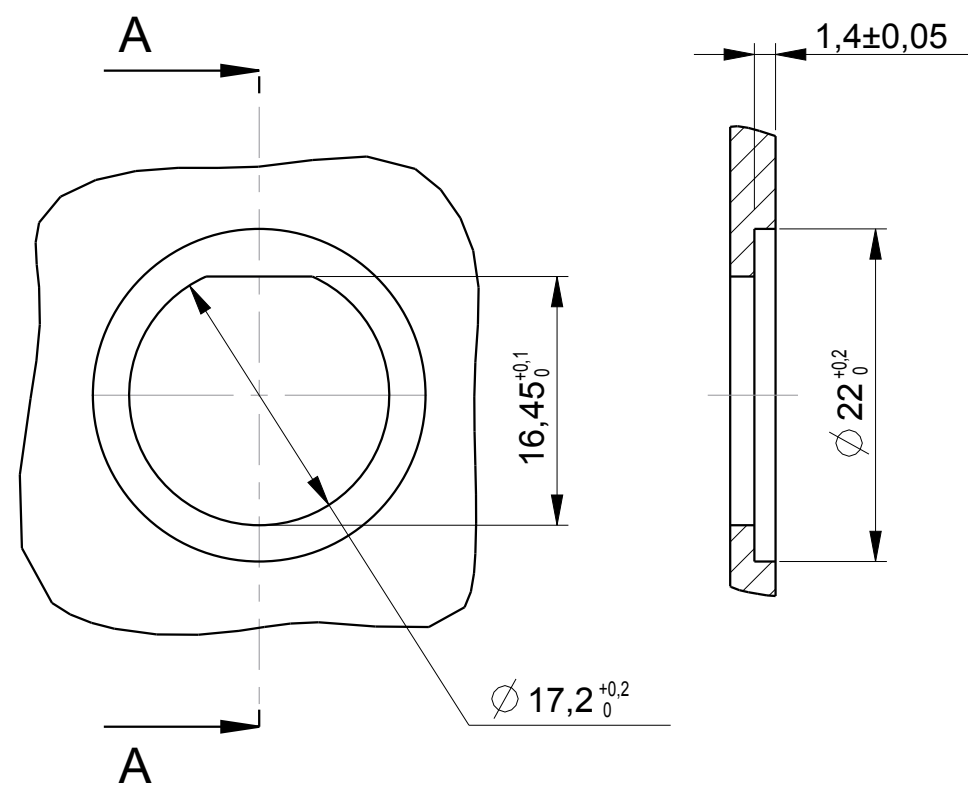
SIGNAL CONTAC (a,b,c) LINES:
NOMINAL VOLTAGE IEC61984 48V AC
NOMINAL CURRENT IEC61984 5A

- ROHS COMPLIANT
- COUNTERPART REFERENCE UTL PLUG
 - CONNECTORS ARE DELIVERED AS PRE-ASSEMBLED KIT
 - CONNECTOR BLOCKS ACCEPTS TRIM TRIO CONTACTS #16 AND #20, R*M* OR S*M* TYPES
 - CONTACTS TO BE ORDERED SEPARATELY.
 - WARNING: PHASE CONTACTS AND SIGNAL CONTACT ARE MALE VERSION AND GROUND CONTACT IS FEMALE VERSION
 - UNIT IN MM

P/N	HOUSING' S MATERIAL
UTL7102G1W3P	PA GF REINFORCED BLACK COLOR
UTL7102G1W3P03	PA GF REINFORCED LIGHT GREY COLOR



COUPE A-A



P/N : SEE TABLE

C	06/03/2015	Clearances dimensions modification	23869
ISS	DATE	Latest modification - by:	MOD N°
Designed by: RAGAINÉ M. Date:23/07/2013		CUSTOMER DRAWING	
TITLE		MALE RECEPTACLE SIZE 10 LAYOUT 6 CONTACTS	
UTL CONNECTOR			
Scale	1/1	General linear Tolerances: ± 0,2	NPRDS / PROJECT UTL
SOURIAU WWW.SOURIAU.COM		This document is the property of SOURIAU It must not be reproduced or communicated without permission	
FORMAT	SOURIAU DRG N° UTL1-0047A-C01		SHEET 1/1

X-ON Electronics

Largest Supplier of Electrical and Electronic Components

Click to view similar products for [Standard Circular Connector](#) category:

Click to view products by [Sunbank](#) manufacturer:

Other Similar products are found below :

[5M2530B10P](#) [600259N006](#) [600273N007](#) [6134-336-13149](#) [6134-337-11149](#) [6134-337-2390](#) [6134-341-17149](#) [6280-4SG-516](#) [6280-7SG-3DC](#)
[6290](#) [6291A](#) [66200A-10](#) [680-SMG](#) [681-PMG](#) [CXS3102A14S2P](#) [CXS3102A181S](#) [7251-5SG-300](#) [7271-6SG-300](#) [7282-3PG-300-CH3](#) [75-](#)
[474618-01S](#) [75-474618-04P](#) [75-474618-04S](#) [799539-000](#) [MI8-SE](#) [805-005-07NF11-19PC](#) [805-005-07NF15-7PA](#) [8280-4PG-516](#) [8280-7PG-](#)
[519](#) [8282-5PG-519](#) [836783-1](#) [MP-4102-25P-C](#) [862256-1](#) [864019-2](#) [866857-1](#) [867865-1](#) [PT01SP-14-18P](#) [PT08P-14-5S](#) [PTSF06SE-14-12S](#)
[120-1833-000](#) [QCM019PC2DC012B](#) [1-2069279-1](#) [121583-0217](#) [121667-0020](#) [129591AU](#) [1000B BULK](#) [RD10A16-19-P6CS051/1](#)
[RD10A20-31-P8CS051/1](#) [RD16A14-12-S6CS051/2](#) [1301240290](#) [1301240347](#) [1301860202](#)